



# Super Swivels<sup>®</sup>

## Hydraulic Live Swivels



# Inline & 90° Swivels

Heavy Duty Ball Bearing, Rebuildable Design

[www.SuperSwivels.com](http://www.SuperSwivels.com)

763-784-5531

**GOODYEAR**  
RUBBER PRODUCTS, INC.

☎ 727-342-5088

You can also email us at  
[GRP@goodyearrubberproducts.com](mailto:GRP@goodyearrubberproducts.com)

# **Super Swivels<sup>®</sup>**

**Thousands of swivel options...  
Our custom design service makes  
possibilities unlimited.**

Super Swivels<sup>®</sup> provides superior products for a large wide range of hydraulic applications. Designing and manufacturing heavy-duty, leak free, live swivels at a competitive price with outstanding performance. These swivels



are engineered for simplified connections, allowing direct connections to hose lines doing away with adapters.

For 30 years Super Swivels has engineered the best heavy-duty and compact live swivel designs allowing manufactures to create the most efficient and smallest products possible. Superior design and reliability features allows for the most efficient aftermarket modifications and repairs.



*Visit our website for an online catalog of Stainless Steel Super Swivels<sup>®</sup> and those designed for the Car Wash Industry, or contact us for a print catalog.*

**All of our catalogs and individual pages are available to download online as a PDF file. Check our website for updated versions of catalogs and products.**

**www.SuperSwivels.com**

**763-784-5531**

**GOODYEAR**  
RUBBER PRODUCTS, INC.

**727-342-5088**

You can also email us at  
**GRP@goodyearrubberproducts.com**

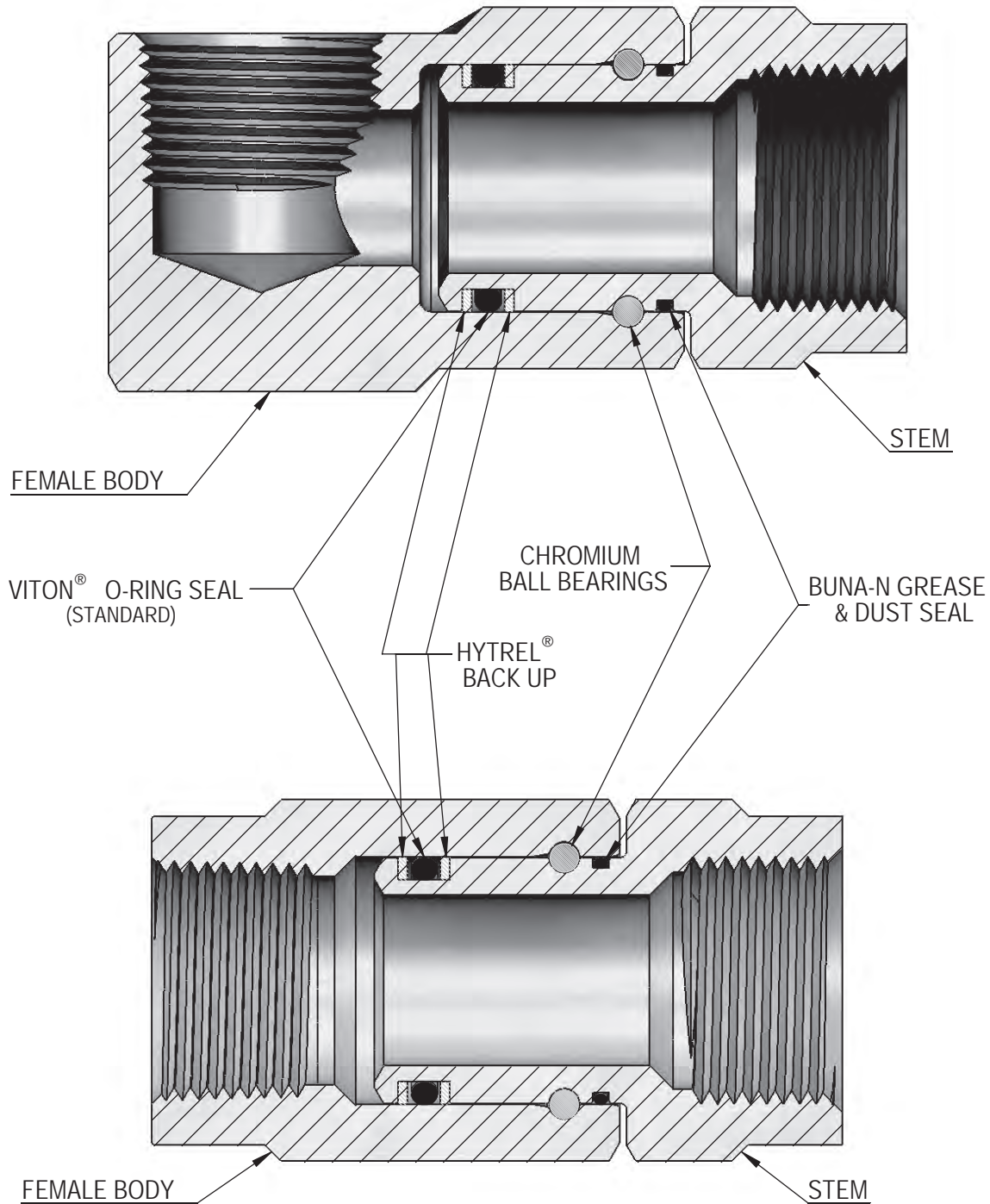
# Main Catalog

## Inline And 90° Hydraulic Swivels

Cross Sectional Drawings .....	Page 2-5
How To Order .....	Page 6
Options .....	Page 7
Seal Compatibility Chart .....	Page 8
Pressure Drop Charts .....	Page 9-10
Rotating Torque Verses Pressure Chart .....	Page 11
R.P.M. Verses P.S.I. Chart .....	Page 11
<b>Inline Swivels</b> .....	Page 12-21
<b>High Pressure Inline Swivels</b> (10,000 P.S.I.) .....	Page 22
<b>90° Swivels</b> .....	Page 23-42
<b>90° High Pressure Swivels</b> (10,000 P.S.I.) .....	Page 43
<b>Dual Plane Swivels</b> .....	Page 44-48
<b>BSPP Inline And 90° Swivels</b> .....	Page 49-52
<b>Super-Duty-Swivels</b> – Heavy Duty .....	Page 53-61
Item Number To Part Number Cross Reference Guide .....	Page 62-72
Seal Rebuilding Kits Item Number/Part Number .....	Page 72
Competitors Cross Reference Guides .....	Page 73
Super Swivels' Advantages .....	Page 74
Seal Rebuilding Kit Instructions (List – Page 72) .....	Page 75
Custom Design Live Swivels .....	Page 76
Warranty .....	Page 77

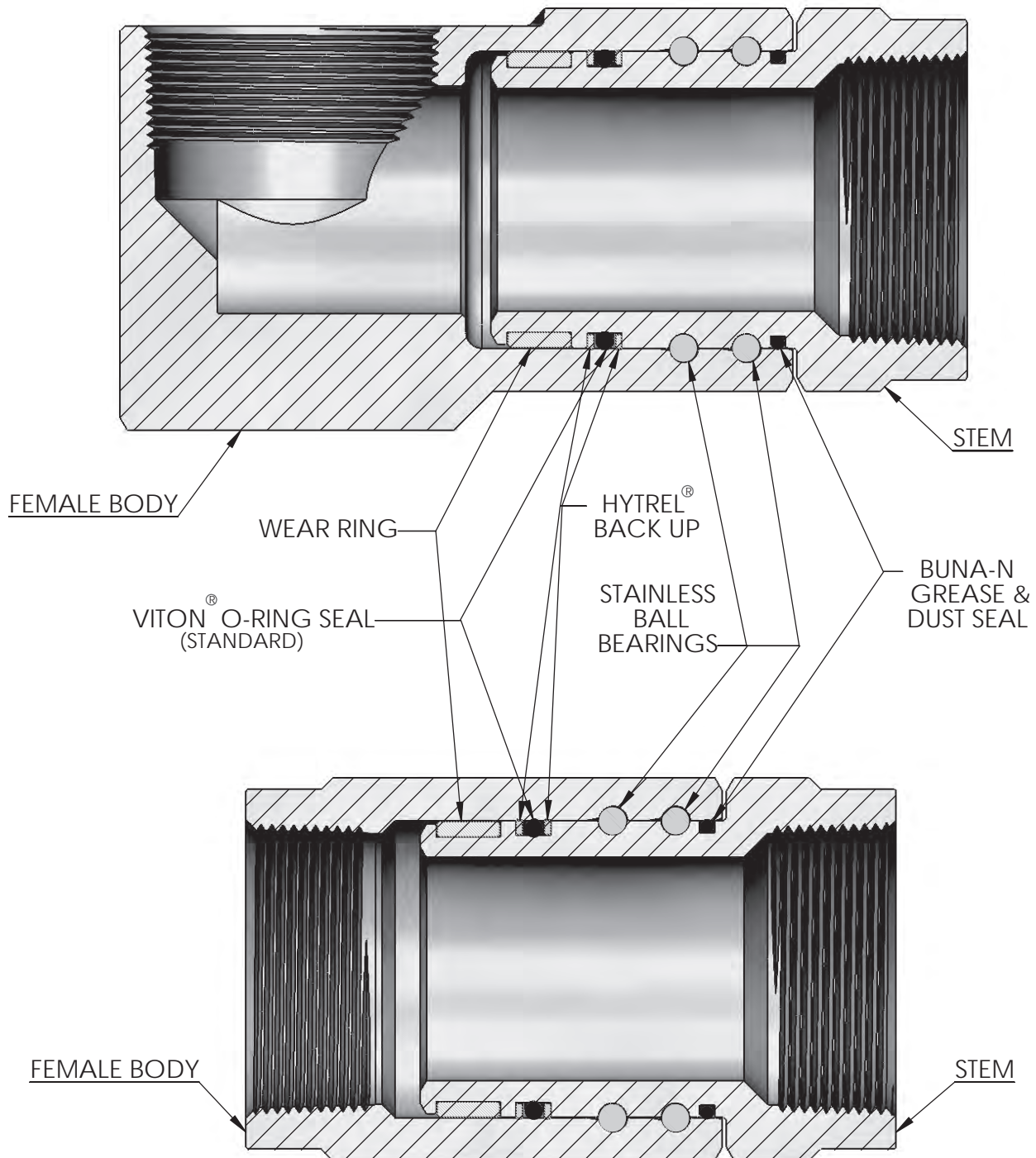
**Switch Your Swivel!®**

# Cross Sectional Drawings



Zinc Plated for Hydraulic Oil Applications  
Sizes 4 through 16

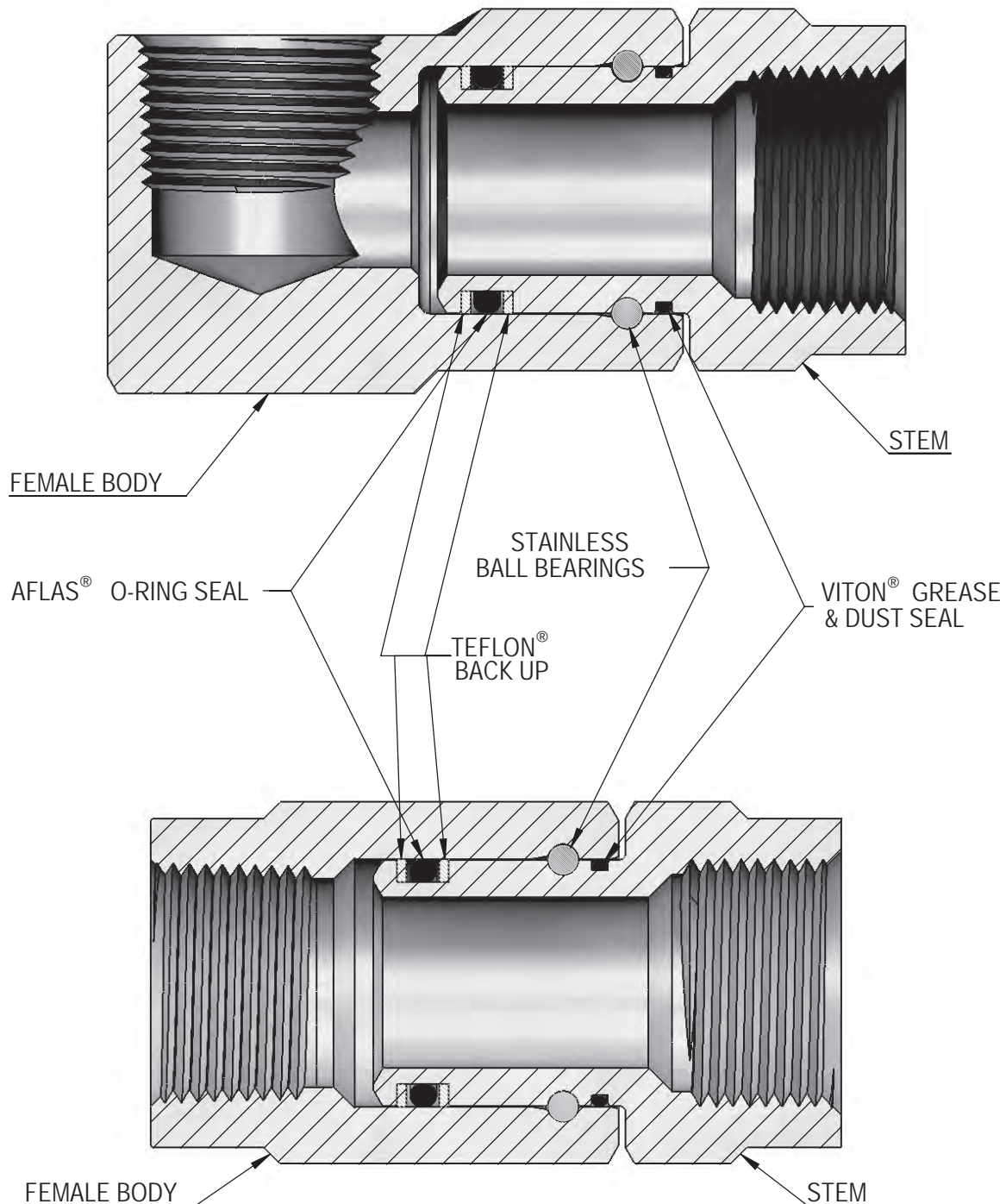
# Cross Sectional Drawings



Nickel Plated for Hydraulic Oil Applications  
Sizes 20 through 40

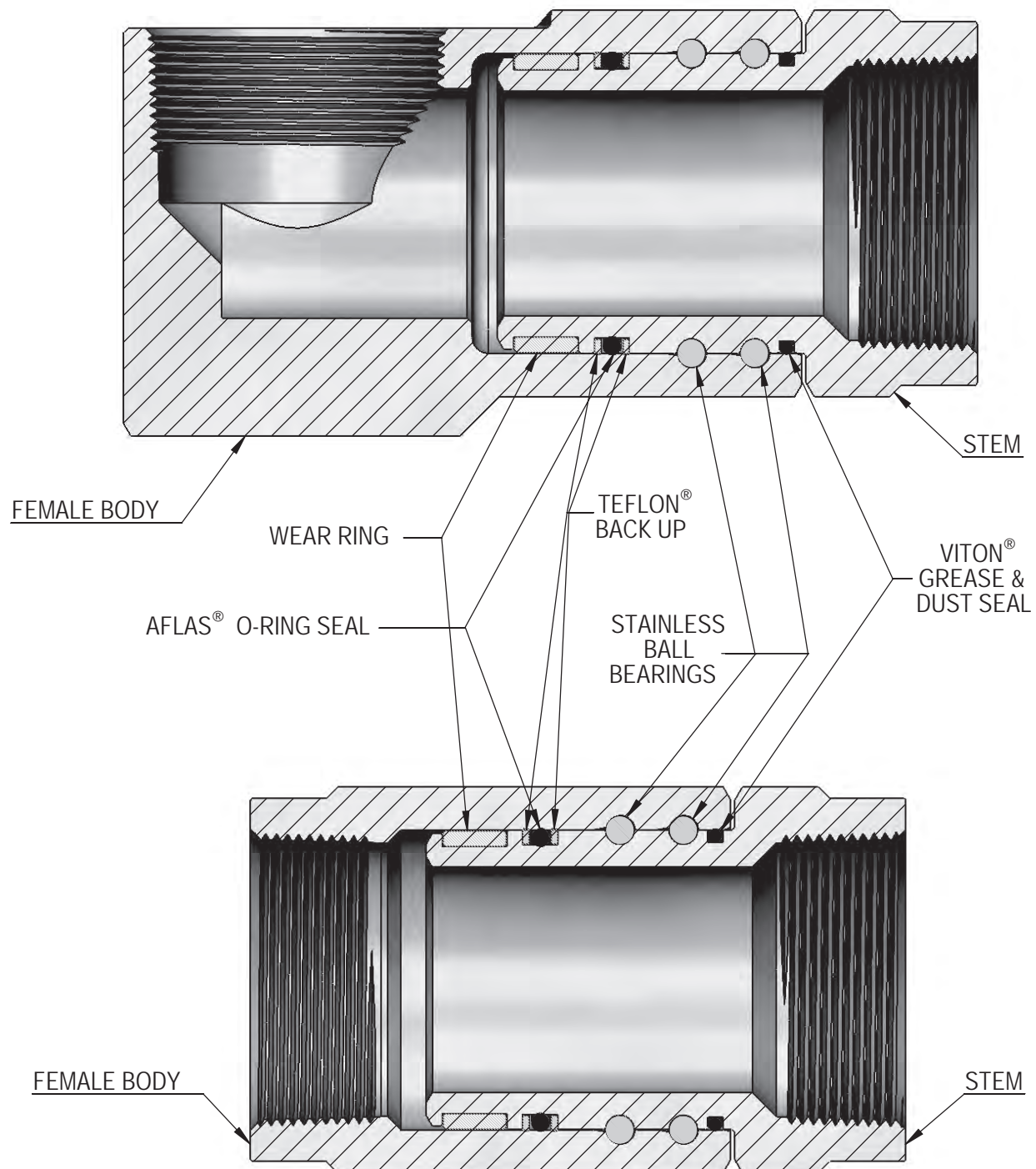
(Size 20 No Wear Ring)

# Cross Sectional Drawings



Nickel Plated for Corrosive Media Applications  
Sizes 4 through 16

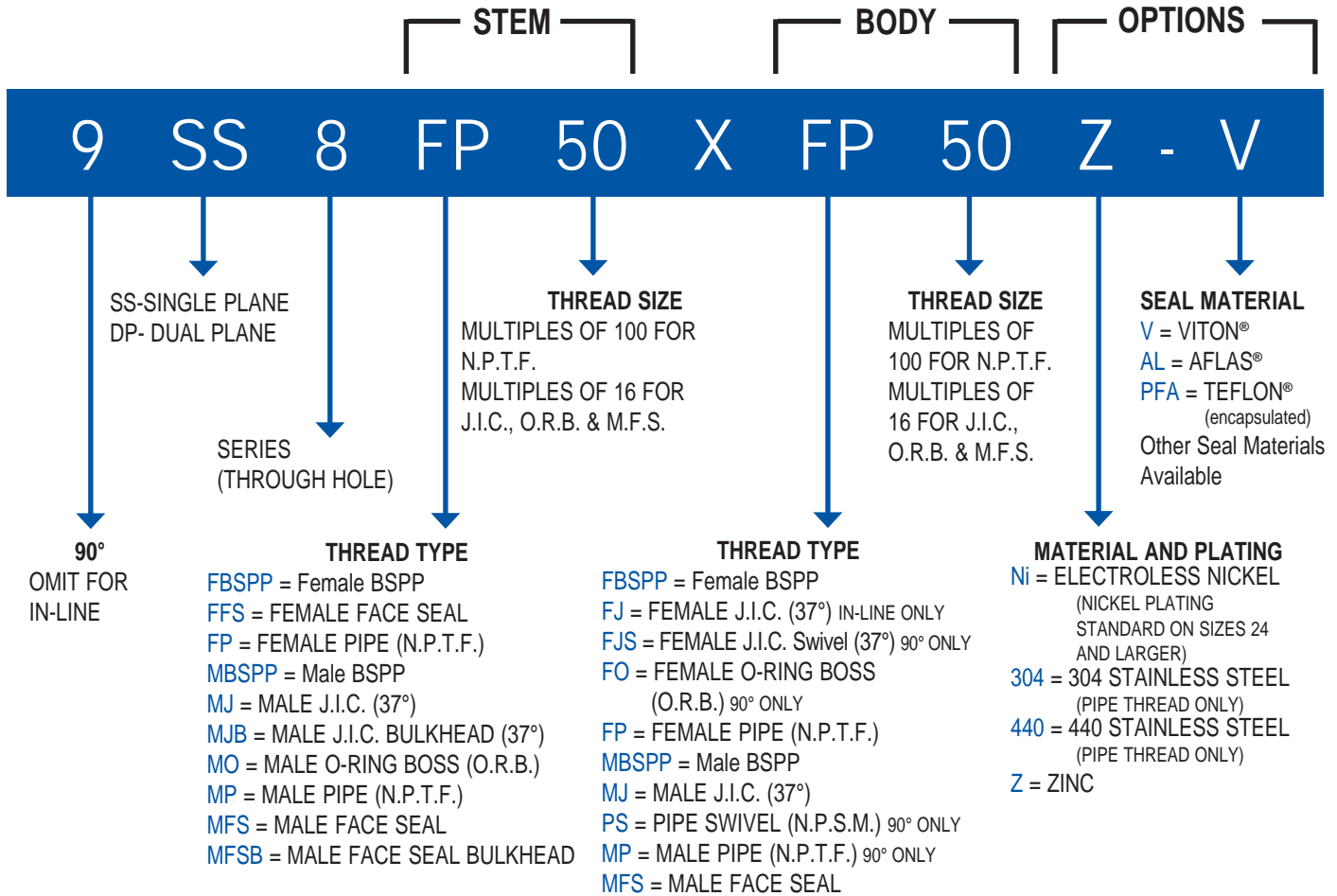
# Cross Sectional Drawings



**Nickel Plated for Corrosive Media Applications  
Sizes 20 through 40**

(Size 20 No Wear Ring)

# HOW TO ORDER



REBUILDING KITS ARE AVAILABLE FOR ALL SWIVELS. SEE PAGE 72 (LIST).

WHEN ORDERING PLEASE SPECIFY PRESSURE, TYPE OF MEDIA OR INDUSTRIAL OXYGEN USE.

SUPER SWIVELS® ARE NOT RECOMMENDED FOR BREATHING AIR/OXYGEN OR STEAM.

ALL SWIVELS HAVE 4 TO 1 PROOF PRESSURE, EXCEPT 10,000 P.S.I. 3 TO 1 PROOF PRESSURE

SUPER SWIVELS® MAY ALSO BE ORDERED BY ITEM NUMBER. SEE PAGES 62-72 .

ANY SERIES STEM WILL FIT WITH THE SAME SERIES BODY. THEREFORE THERE ARE MANY COMBINATIONS THAT DO NOT APPEAR IN THIS CATALOG.

CALL, FAX OR E-MAIL YOUR SPECIAL REQUIREMENTS.

## Options

Super Swivels® are available in numerous configurations, size, seal, and material options including custom design and manufacture. Our catalog illustrates the most common choices, many of which are in stock and ready to ship. Please contact us if you don't see what you want and we will work with you to fulfill those needs.

Order options include: Inline or 90°, single or dual plane, stem thread type and size, body thread type and size, material and plating, and seal type.

### Base Material and Plating

**Super Swivels are manufactured from Carbon Steel or 304 and 440C Stainless Steel.**

**Carbon Steel Zinc (Z) Plating** is recommended for non-corrosive applications, i.e. hydraulic, pneumatic, etc.

**Carbon Steel Nickel (NI) Plating** is recommended for mildly corrosive environments, i.e. water, mild chemicals, solvents, etc.

**304 Stainless Steel (304)** is recommended for low pressure corrosive environments.

**440C Stainless Steel (440)** is a martensitic, high carbon, magnetic stainless steel, heat-treated to maintain a high-pressure rating. Not as corrosion resistant as 300 Series Stainless Steel.

### Seal Material

**(V) Viton®** (Fluorocarbon) – For most petroleum based applications. (-15°F to 250°F)

**(AL) Aflas®** (Tetrafluoroethylene-propylene copolymer)  
– Better resistance to many individual chemicals. For service in high temperature environments.  
**(Low temperature limitations.)** (+32°F to 400°F)

**(PFA) PFA Teflon®** – High resistance to many individual chemicals where Teflon seals are required.  
**(1,500 max psi)** (-15°F to 400°F)

**Other seals available upon request include:** Buna, EPR, Neoprene and Kalrez®.

**Please specify oxygen use when ordering. Super Swivels are not recommended for breathing air or steam.**



• Viton and Kalrez are registered trademarks of DuPont Dow® Elastomers. • Teflon, Freon, and Hytrel are registered trademarks of the DuPont® Company. • Aflas is a registered trademark of Asahi® Glass Co LTD. • Skydrol and Pydraul are registered trademarks of Monsanto® Chemical Co. All other ® and ™s are the property of their respective owners.

Super Swivels®, Switch Your Swivel!®, DON'T BE KINKY® text and logos are Registered Trademarks and are the property of Remanco Hydraulics, Inc. along with all text, graphics, photographs and images in this catalog are protected by international copyright laws.

Super-Duty-Swivels™ Trademark is the property of Remanco Hydraulics, Inc.

# Seal Compatibility Chart

FLUIDS	VITON® (HYTREL® back-up) 25 in/Hg-5000 P.S.I. MAX* -15°F TO 250°F	AFLAS® (TEFLON® back-up) 25 in/Hg-5000 P.S.I. MAX* +32°F TO 400°F	PFA TEFLON (TEFLON back-up) 25 in/Hg-1500 MAX -15°F TO 400°F
automatic transmission fluids	A	A	A
acetone	C	C	C
air	A	A	A
asphalt	B	A	B
benzene	A	B	B
brake fluid (glycol)	C	A	B
brake fluid (mineral)	C	A	B
brake fluid (silicone)	C	A	B
carbon tetrachloride	A	C	A
engine oil (sf, sf cd)	A	A	A
ethylene glycol	A	A	A
FREON®	C	C	C
hydraulic fluids (petroleum)	A	A	A
hydrochloric acid	B	A	A
methyl ethyl ketone	C	C	C
naphtha	A	A	A
oxygen <sup>1</sup> (industrial/gaseous)	A	A	A
power steering fluid	C	A	A
salt water	B	A	A
SKYDROL 500 B4®	C	B	C
soap solutions	C	A	A
sulfuric acid	A	A	A
toluene	A	C	B
trichlorethylene	A	C	A
urethane	C	A	C
water	C	A	A

A=Satisfactory  
B=Fair  
C=Unsatisfactory

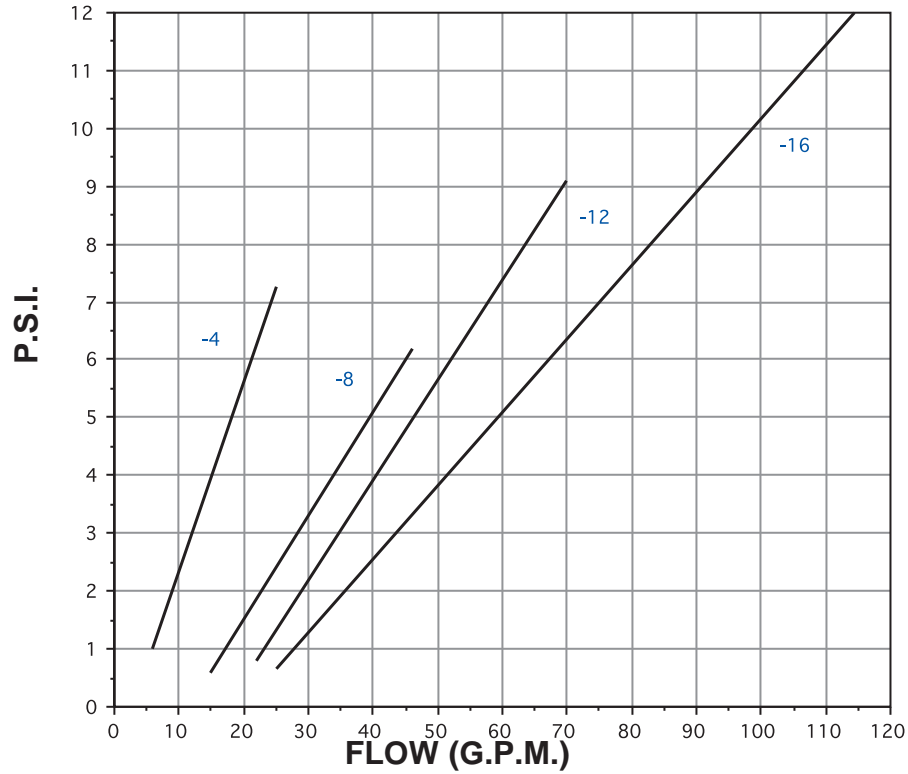
\*2500 P.S.I. MAX PNEUMATIC

This chart is only a guide, several factors should be considered when selecting a sealing compound, for further information contact Super Swivels®.

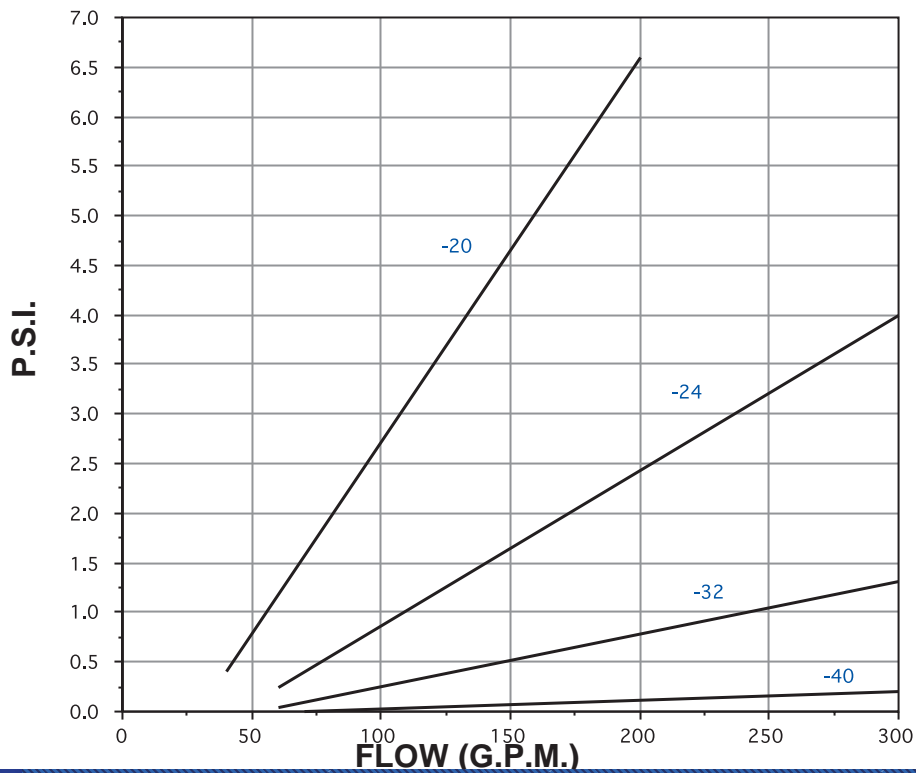
Note 1. Please specify oxygen use when ordering. Super Swivels® are not recommended and should NOT be used for breathing air/oxygen.

**Not recommended for steam.**

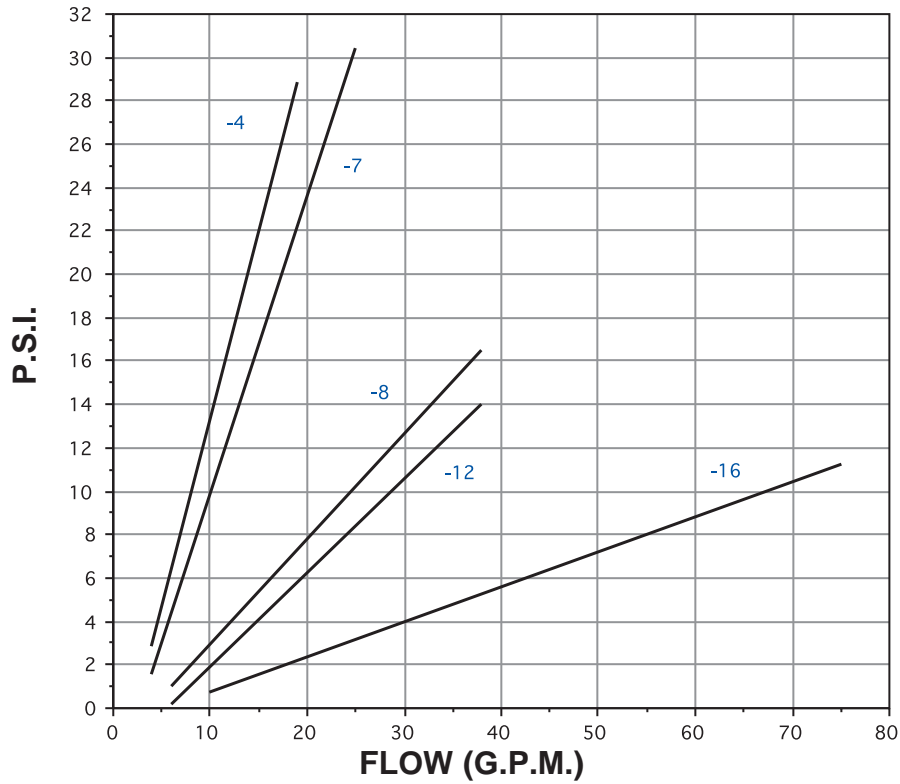
## Pressure Drop “SS” Inline #4 - #16



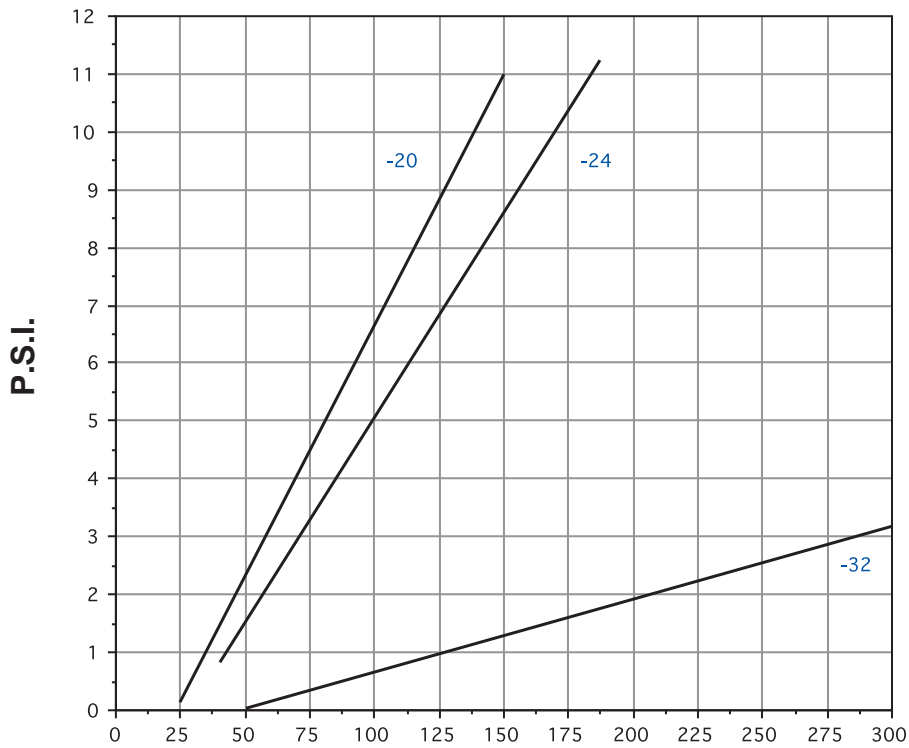
## Pressure Drop “SS” Inline #20 - #40



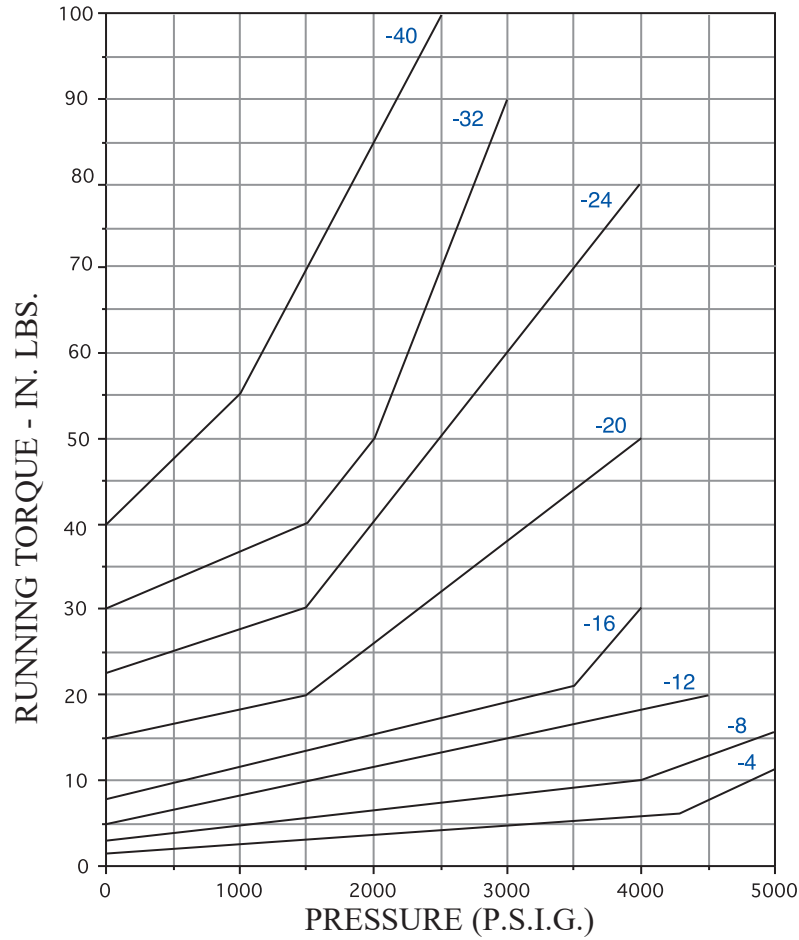
## Pressure Drop "9SS" 90° #4 - #16



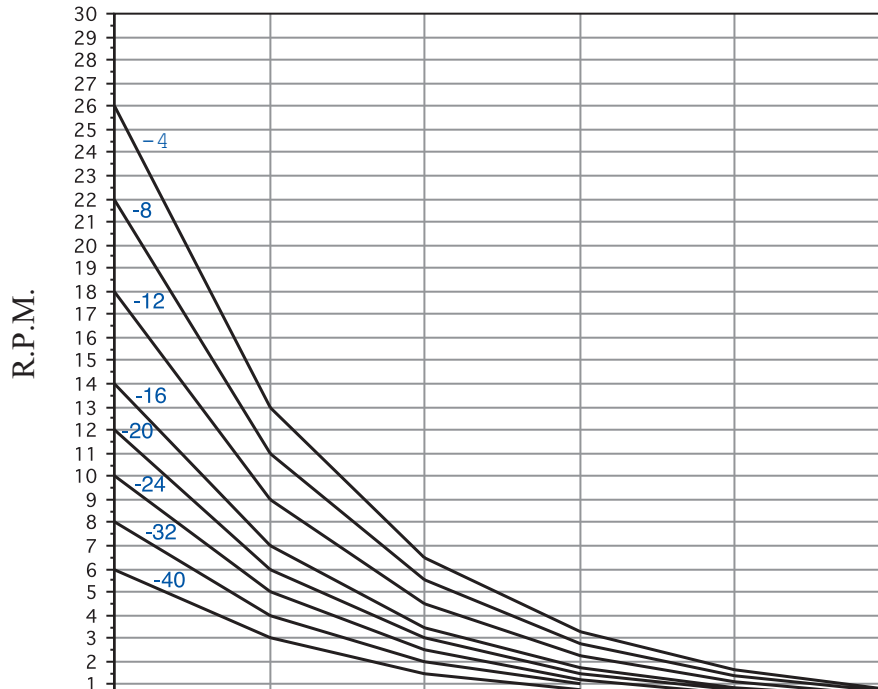
## Pressure Drop "9SS" 90° #20 - #32



## Rotating Torque vs. Pressure



## R.P.M. vs. P.S.I.



Note: For specific pressure see charts with diagrams.

# Inline Swivels



## Switch Your Swivel!®

**Inline Swivels** rotating joints provide for minimal friction allowing free movement of hoses and piping in fluid conducting power systems. The compact design fits in tight areas. Super Swivels one piece barrel and stem with integrated ball bearing race design withstands heavy side loads preventing premature seal wear and leaks. This pass-through inline design is the most standard configuration in live swivels. Super Swivels connect directly to hose lines without adapters reducing overall costs of hydraulics. Inline sizes range from 1/8" through 2 1/2" body thread with numerous fittings, finishes and seal configurations.

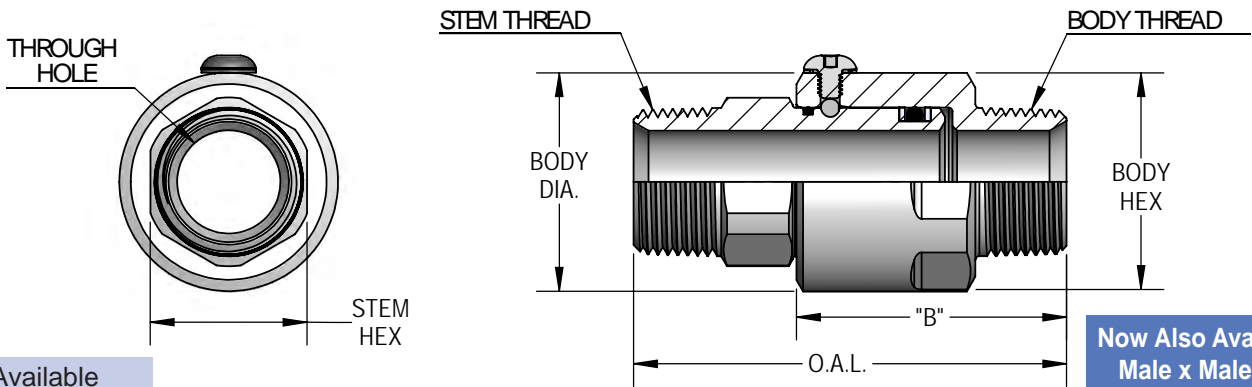
[www.SuperSwivels.com](http://www.SuperSwivels.com)

Email: [sales@superswivels.com](mailto:sales@superswivels.com)

763-784-5531

Fax: 763-784-7423

# Male Pipe (N.P.T.F.) X Male Pipe (N.P.T.F.)



Now Also Available In Male x Male BSPP See Page 52

Not Available In Stainless Steel!

PART NUMBER	O.A.L.	DIM. B	STEM THREAD	BODY THREAD	STEM HEX	BODY DIA.	BODY HEX	MAX P.S.I.G.	THROUGH HOLE
SS 4 MP 25 X MP 25	2.380	1.650	1/4-18 N.P.T.F.	1/4-18 N.P.T.F.	0.625	HEX	1.000	5000	0.250
SS 4 MP 38 X MP 38	2.460	1.650	3/8-18 N.P.T.F.	3/8-18 N.P.T.F.	0.750	HEX	1.000	5000	0.250
SS 8 MP 38 X MP 38	2.810	1.700	3/8-18 N.P.T.F.	3/8-18 N.P.T.F.	1.000	1.290	1.187	5000	0.406
SS 8 MP 50 X MP 50	2.940	1.750	1/2-14 N.P.T.F.	1/2-14 N.P.T.F.	1.000	1.480	1.375	5000	0.530
SS 12 MP 75 X MP 75	3.040	1.850	3/4-14 N.P.T.F.	3/4-14 N.P.T.F.	1.125	1.675	1.560	4500	0.689
SS 16 MP 100 X MP 100	3.800	2.370	1-11 1/2 N.P.T.F.	1-11 1/2 N.P.T.F.	1.375	1.917	1.812	4000	0.906
SS 20 MP 125 X MP 125	4.090	2.580	1 1/4-11 1/2 N.P.T.F.	1 1/4-11 1/2 N.P.T.F.	1.750	2.357	2.187	4000	1.181
SS 24 MP 150 X MP 150	4.780	3.100	1 1/2-11 1/2 N.P.T.F.	1 1/2-11 1/2 N.P.T.F.	2.000	2.557	2.375	4000	1.312
SS 32 MP 200 X MP 200	5.225	3.625	2-11 1/2 N.P.T.F.	2-11 1/2 N.P.T.F.	2.500	3.055	2.875	3000	1.781

Inline Swivels ...Continues on page 14



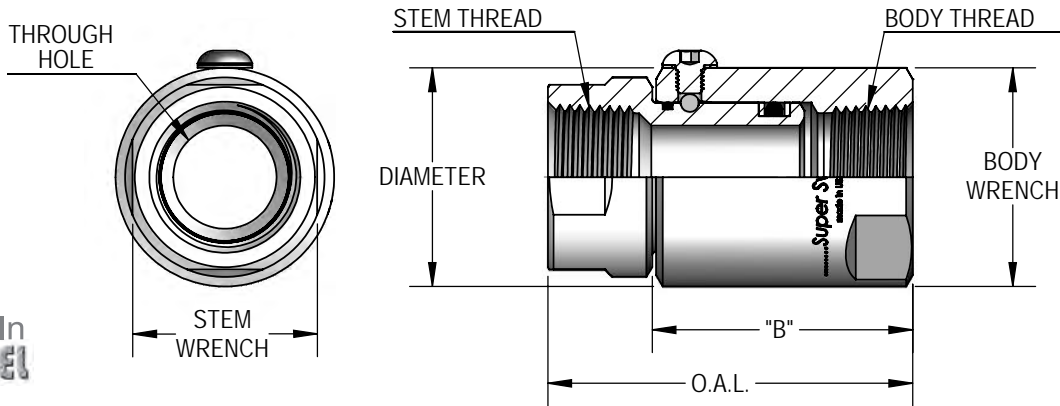
## 304 & 440c

- **304** nickel/chrome alloy, non-hardening, Austenitic, Non-magnetic stainless steel.
- **304** offers excellent chemical corrodents resistance.
- **304** swivels have a medium pressure rating.
- **440c** high carbon – high chrome, heat treated, Martensitic, magnetic Stainless Steel.
- **440c** offers chemical corrosion resistance.
- **440c** swivels have a high pressure rating.



Visit our website to see our complete selection and catalog

# Female Pipe (N.P.T.F.) X Female Pipe (N.P.T.F.)

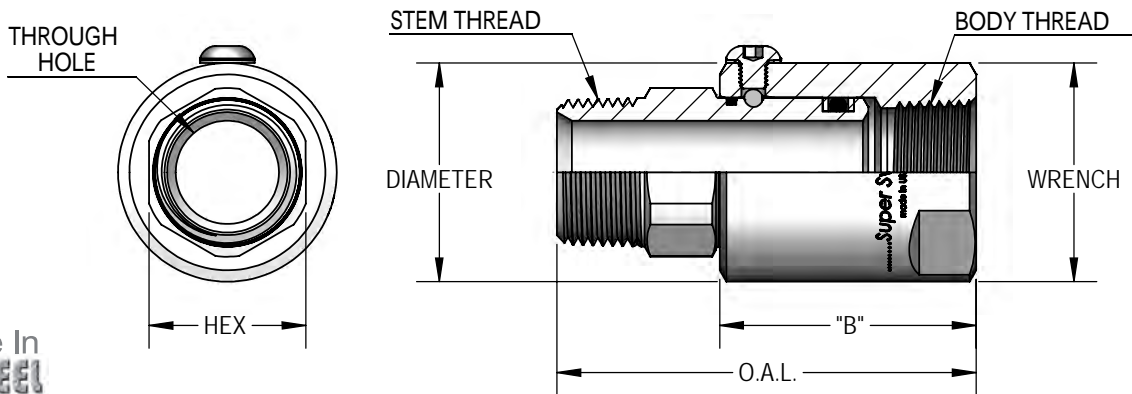


Also Available In  
**STAINLESS STEEL**



PART NUMBER	O.A.L.	DIM. B	DIAMETER	STEM THREAD	BODY THREAD	BODY WRENCH	STEM WRENCH	MAX P.S.I.G.	THROUGH HOLE
SS 2 FP 12.5 X FP 12.5	1.785	1.225	0.734	1/8-27 N.P.T.F.	1/8-27 N.P.T.F.	0.625	0.625	5000	0.157
SS 4 FP 25 X FP 25	2.320	1.720	0.992	1/4-18 N.P.T.F.	1/4-18 N.P.T.F.	0.875	0.750	5000	0.250
SS 8 FP 38 X FP 38	2.555	1.550	1.290	3/8-18 N.P.T.F.	3/8-18 N.P.T.F.	1.125	0.875	5000	0.530
SS 8 FP 50 X FP 50	2.480	1.650	1.480	1/2-14 N.P.T.F.	1/2-14 N.P.T.F.	1.250	1.125	5000	0.530
SS 12 FP 75 X FP 75	2.685	1.850	1.675	3/4-14 N.P.T.F.	3/4-14 N.P.T.F.	1.500	1.375	4500	0.689
SS 16 FP 100 X FP 100	3.200	2.250	1.918	1-11 1/2 N.P.T.F.	1-11 1/2 N.P.T.F.	1.750	1.625	4000	0.906
SS 20 FP 125 X FP 125	3.680	2.685	2.358	1 1/4-11 1/2 N.P.T.F.	1 1/4-11 1/2 N.P.T.F.	2.125	2.000	4000	1.181
SS 24 FP 150 X FP 150	4.050	2.950	2.548	1 1/2-11 1/2 N.P.T.F.	1 1/2-11 1/2 N.P.T.F.	2.375	2.375	4000	1.312
SS 32 FP 200 X FP 200	4.520	3.450	3.052	2-11 1/2 N.P.T.F.	2-11 1/2 N.P.T.F.	2.875	2.875	3000	1.781
SS 40 FP 250 X FP 250	5.165	3.785	3.572	2 1/2-8 N.P.T.F.	2 1/2-8 N.P.T.F.	3.375	3.375	2500	2.125

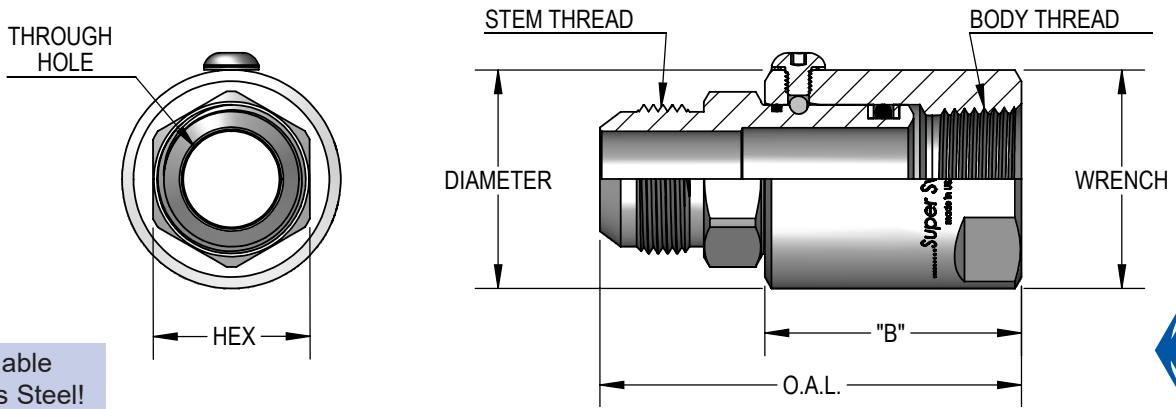
# Male Pipe (N.P.T.F.) X Female Pipe (N.P.T.F.)



Also Available In  
**STAINLESS STEEL**

PART NUMBER	O.A.L.	DIM. B	STEM THREAD	BODY THREAD	HEX	DIAMETER	WRENCH	MAX P.S.I.G.	THROUGH HOLE
SS 2 MP 12.5 X FP 12.5	1.855	1.225	1/8-27 N.P.T.F.	1/8-27 N.P.T.F.	0.437	0.734	0.625	5000	0.157
SS 4 MP 25 X FP 25	2.450	1.720	1/4-18 N.P.T.F.	1/4-18 N.P.T.F.	0.625	0.992	0.875	5000	0.250
SS 8 MP 38 X FP 38	2.960	1.570	3/8-18 N.P.T.F.	3/8-18 N.P.T.F.	1.000	1.292	1.125	5000	0.406
SS 8 MP 50 X FP 50	2.840	1.650	1/2-14 N.P.T.F.	1/2-14 N.P.T.F.	1.000	1.480	1.250	5000	0.530
SS 12 MP 75 X FP 75	3.085	1.850	3/4-14 N.P.T.F.	3/4-14 N.P.T.F.	1.125	1.675	1.500	4500	0.689
SS 16 MP 100 X FP 100	3.675	2.250	1-11 1/2 N.P.T.F.	1-11 1/2 N.P.T.F.	1.375	1.917	1.750	4000	0.906
SS 20 MP 125 X FP 125	4.190	2.685	1 1/4-11 1/2 N.P.T.F.	1 1/4-11 1/2 N.P.T.F.	1.750	2.357	2.125	4000	1.181
SS 24 MP 150 X FP 150	4.625	2.950	1 1/2-11 1/2 N.P.T.F.	1 1/2-11 1/2 N.P.T.F.	2.000	2.550	2.375	4000	1.312

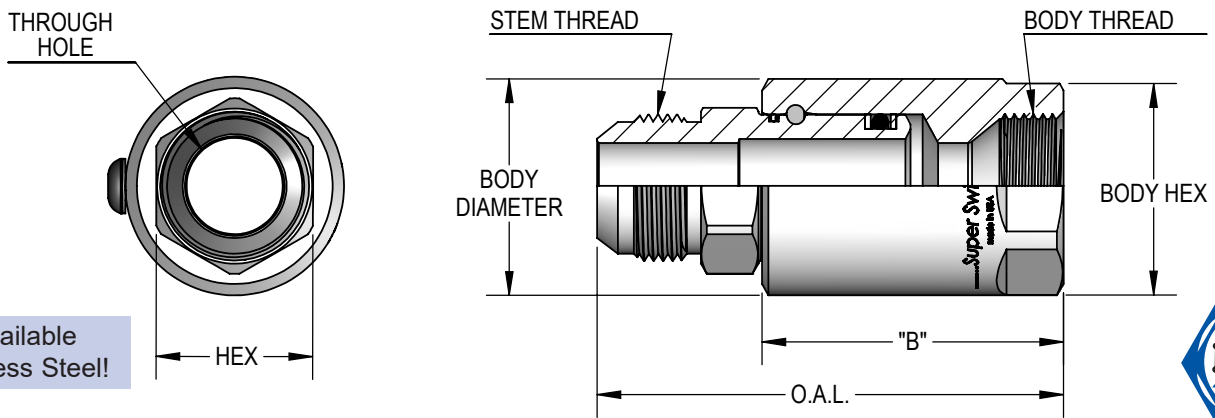
# Male J.I.C. (37°) X Female Pipe (N.P.T.F.)



Not Available  
In Stainless Steel!

PART NUMBER	O.A.L.	DIM. B	STEM THREAD	BODY THREAD	STEM HEX	DIAMETER	WRENCH	MAX P.S.I.G.	THROUGH HOLE
SS 4 MJ 6 X FP 25	2.670	1.720	9/16-18 U.N.	1/4-18 N.P.T.F.	0.625	0.990	0.875	5000	0.250
SS 8 MJ 6 X FP 38	2.555	1.575	9/16-18 U.N.	3/8-18 N.P.T.	1.00	1.292	1.125	5000	0.297
SS 8 MJ 8 X FP 38	2.655	1.575	3/4-16 U.N.	3/8-18 N.P.T.F.	1.000	1.292	1.125	5000	0.406
SS 8 MJ 8 X FP 50	2.740	1.650	3/4-16 U.N.	1/2-14 N.P.T.F.	1.000	1.480	1.250	5000	0.406
SS 8 MJ 10 X FP 50	2,840	1.650	7/8-14 U.N.	1/2-14 N.P.T.F.	1.000	1.480	1.250	5000	0.484
SS 12 MJ 12 X FP 75	3.210	1.850	1 1/16-12 U.N.	3/4-14 N.P.T.F.	1.125	1.675	1.500	4500	0.609
SS 16 MJ 16 X FP 100	3.700	2.225	1 5/16-12 U.N.	1-11 1/2 N.P.T.F.	1.375	1.917	1.750	4000	0.844
SS 20 MJ 20 X FP 125	4.230	2.685	1 5/8-12 U.N.	1 1/4-11 1/2 N.P.T.F.	1.750	2.357	2.125	4000	1.078
SS 24 MJ 24 X FP 150	4.715	2.950	1 7/8-12 U.N.	1 1/2-11 1/2 N.P.T.F.	2.000	2.547	2.375	4000	1.312

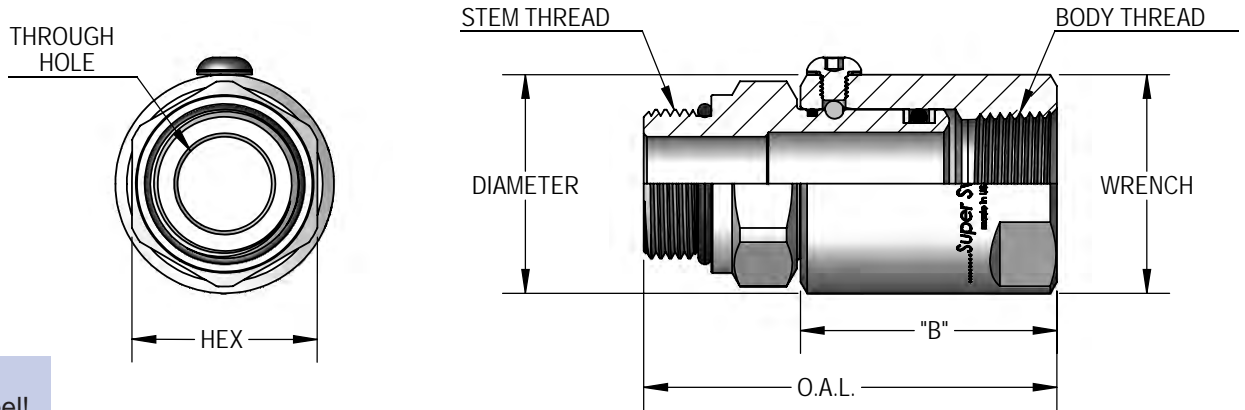
# Male J.I.C. (37°) X Female J.I.C. (37°)



Not Available  
In Stainless Steel!

PART NUMBER	O.A.L.	DIM. B	STEM THREAD	BODY THREAD	STEM HEX	BODY HEX/WRENCH	BODY DIA.	MAX P.S.I.G.	THROUGH HOLE
SS 4 MJ 4 X FJ 4	2.578	1.648	7/16-20 U.N.	7/16-20 U.N.	0.625	1.000	HEX	5000	0.172
SS 4 MJ 5 X FJ 5	2.578	1.648	1/2-20 U.N.	1/2-20 U.N.	0.625	1.000	HEX	5000	0.234
SS 4 MJ 6 X FJ 6	2.770	1.820	9/16-18 U.N.	9/16-18 U.N.	0.625	1.000	HEX	5000	0.250
SS 8 MJ 8 X FJ 8	3.035	1.950	3/4-16 U.N.	3/4-16 U.N.	1.000	1.375	1.480	5000	0.406
SS 8 MJ 10 X FJ 10	3.235	2.050	7/8-14 U.N.	7/8-14 U.N.	1.000	1.375	1.480	5000	0.484
SS 12 MJ 12 X FJ 12	3.505	2.145	1 1/16-12 U.N.	1 1/16-12 U.N.	1.125	1.500	1.675	4500	0.609
SS 16 MJ 16 X FJ 16	4.091	2.646	1 5/16-12 U.N.	1 5/16-12 U.N.	1.375	1.750	1.917	4000	0.844
SS 20 MJ 20 X FJ 20	4.395	2.850	1 5/8-12 U.N.	1 5/8-12 U.N.	1.750	2.125	2.357	4000	1.078
SS 24 MJ 24 X FJ 24	5.175	3.410	1 7/8-12 U.N.	1 7/8-12 U.N.	2.000	2.375	2.550	4000	1.312

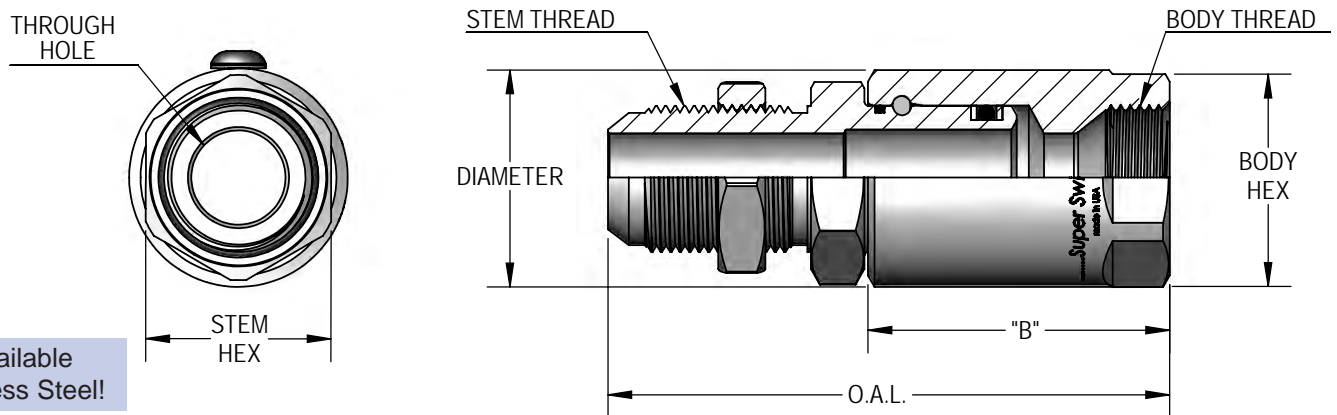
# Male O-Ring (O.R.B.) X Female Pipe (N.P.T.F.)



Not Available  
In Stainless Steel!

PART NUMBER	O.A.L.	DIM. B	STEM THREAD	BODY THREAD	HEX	DIAMETER	WRENCH	MAX P.S.I.G.	THROUGH HOLE
SS 4 MO 6 X FP 25	2.540	1.720	9/16-18 U.N.	1/4-18 N.P.T.F.	0.750	0.992	0.875	5000	0.250
SS 8 MO 8 X FP 38	2.510	1.550	3/4-16 U.N.	3/8-18 N.P.T.F.	1.000	1.292	1.125	5000	0.406
SS 8 MO 8 X FP 50	2.590	1.650	3/4-16 U.N.	1/2-14 N.P.T.F.	1.000	1.480	1.250	5000	0.406
SS 8 MO 10 X FP 50	2.710	1.650	7/8-14 U.N.	1/2-14 N.P.T.F.	1.000	1.480	1.250	5000	0.484
SS 12 MO 12 X FP 75	3.074	1.850	1 1/16-12 U.N.	3/4-14 N.P.T.F.	1.375	1.675	1.500	4500	0.609
SS 16 MO 16 X FP 100	3.854	2.250	1 5/16-12 U.N.	1-11 1/2 N.P.T.F.	1.625	1.917	1.750	4000	0.827
SS 20 MO 20 X FP 125	4.150	2.685	1 5/8-12 U.N.	1 1/4-11 1/2 N.P.T.F.	1.875	2.357	2.125	4000	1.078
SS 24 MO 24 X FP 150	4.550	2.950	1 7/8-12 U.N.	1 1/2-11 1/2 N.P.T.F.	2.125	2.547	2.375	4000	1.312

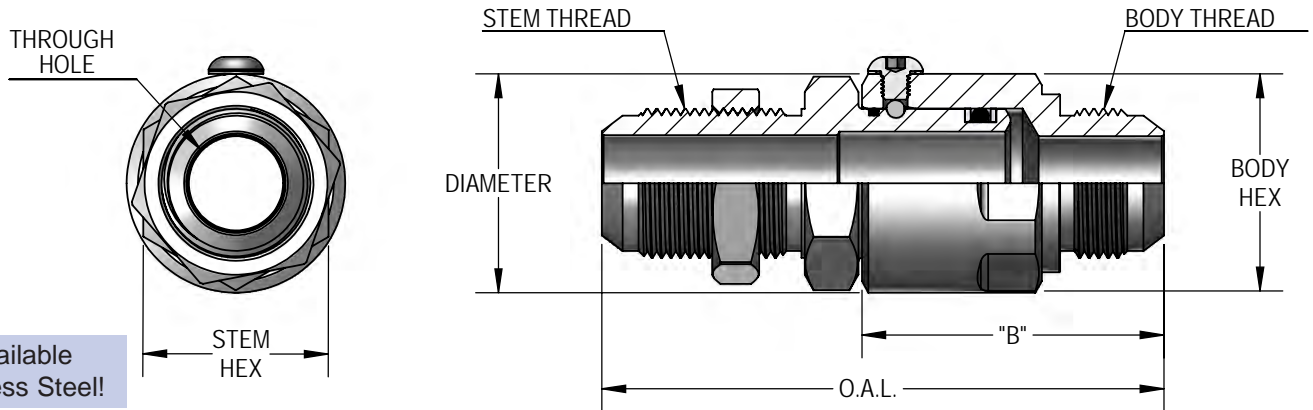
# Male J.I.C. Bulkhead (37°) X Female J.I.C. (37°)



Not Available  
In Stainless Steel!

PART NUMBER	O.A.L.	DIM. B	STEM THREAD	BODY THREAD	STEM HEX	BODY HEX/WRENCH	BODY DIA.	MAX P.S.I.G.	THROUGH HOLE
SS 4 MJB 6 X FJ 6	3.410	1.820	9/16-18 U.N.	9/16-18 U.N.	.812	1.000	1.100	5000	0.250
SS 8 MJB 8 X FJ 8	3.770	1.950	3/4-16 U.N.	3/4-16 U.N.	1.000	1.375	1.480	5000	0.406
SS 8 MJB 10 X FJ 10	4.090	2.050	7/8-14 U.N.	7/8-14 U.N.	1.125	1.375	1.480	5000	0.484
SS 12 MJB 12 X FJ 12	4.425	2.145	1 1/16-12 U.N.	1 1/16-12 U.N.	1.375	1.500	1.675	4500	0.609
SS 16 MJB 16 X FJ 16	4.926	2.646	1 5/16-12 U.N.	1 5/16-12 U.N.	1.625	1.750	1.917	4000	0.844

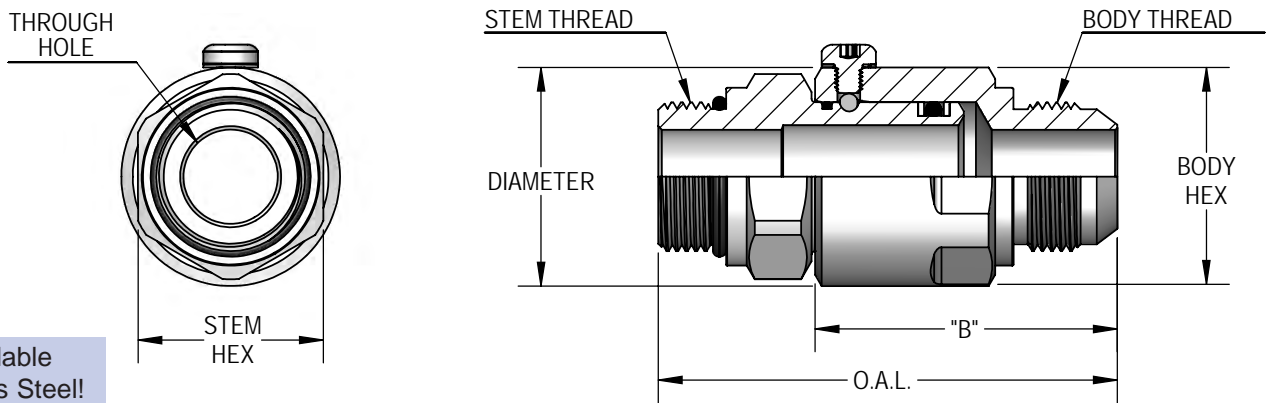
# Male J.I.C. Bulkhead (37°) X Male J.I.C. (37°)



Not Available  
In Stainless Steel!

PART NUMBER	O.A.L.	DIM. B	STEM THREAD	BODY THREAD	STEM HEX	BODY HEX/WRENCH	BODY DIA.	MAX P.S.I.G.	THROUGH HOLE
SS 4 MJB 6 X MJ 6	3.310	1.720	9/16-18 U.N.	9/16-18 U.N.	.812	1.000	1.100	5000	0.250
SS 8 MJB 8 X MJ 8	3.720	1.900	3/4-16 U.N.	3/4-16 U.N.	1.000	1.375	1.480	5000	0.406
SS 8 MJB 10 X MJ 10	4.090	2.050	7/8-14 U.N.	7/8-14 U.N.	1.125	1.375	1.480	5000	0.484
SS 12 MJB 12 X MJ 12	4.405	2.125	1 1/16-12 U.N.	1 1/16-12 U.N.	1.375	1.560	1.675	4500	0.609
SS 16 MJB 16 X MJ 16	4.930	2.650	1 5/16-12 U.N.	1 5/16-12 U.N.	1.625	1.810	1.917	4000	0.827
SS 20 MJB 20 X MJ 20	5.290	2.850	1 5/8-12 U.N.	1 5/8-12 U.N.	1.875	2.188	2.357	4000	1.078

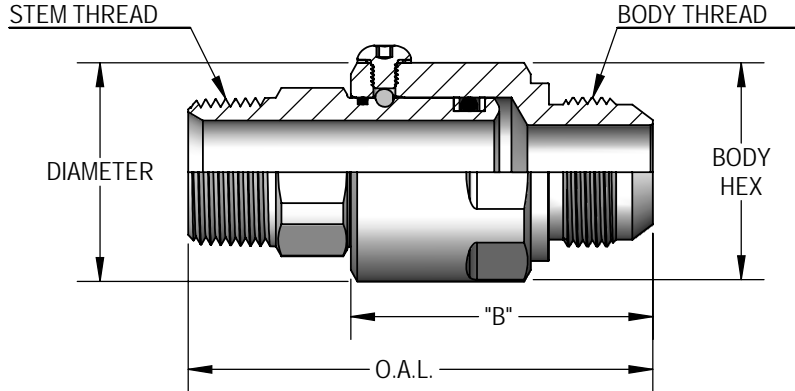
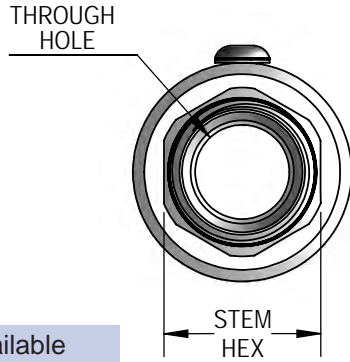
# Male O-Ring (O.R.B.) X Male J.I.C. (37°)



Not Available  
In Stainless Steel!

PART NUMBER	O.A.L.	DIM. B	STEM THREAD	BODY THREAD	STEM HEX	BODY HEX/WRENCH	BODY DIA.	MAX P.S.I.G.	THROUGH HOLE
SS 4 MO 4 X MJ 4	2.540	1.720	7/16-20 U.N.	7/16-20 U.N.	0.625	1.000	HEX	5000	0.172
SS 4 MO 6 X MJ 6	2.540	1.720	9/16-18 U.N.	9/16-18 U.N.	0.750	1.000	HEX	5000	0.250
SS 8 MO 8 X MJ 8	2.838	1.900	3/4-16 U.N.	3/4-16 U.N.	1.000	1.375	1.480	5000	0.406
SS 8 MO 10 X MJ 8	2.960	1.900	7/8-14 U.N.	3/4-16 U.N.	1.000	1.375	1.480	5000	0.406
SS 8 MO 10 X MJ 10	3.110	2.050	7/8-14 U.N.	7/8-14 U.N.	1.000	1.375	1.492	5000	0.484
SS 12 MO 12 X MJ 12	3.480	2.250	1 1/16-12 U.N.	1 1/16-12 U.N.	1.375	1.560	1.675	4500	0.609
SS 16 MO 16 X MJ 16	4.024	2.650	1 5/16-12 U.N.	1 5/16-12 U.N.	1.625	1.810	1.917	4000	0.827
SS 20 MO 20 X MJ 20	4.315	2.850	1 5/8-12 U.N.	1 5/8-12 U.N.	1.875	2.188	2.357	4000	1.078

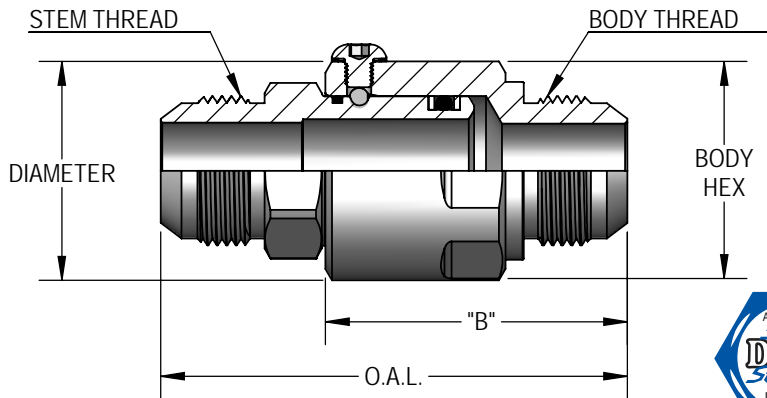
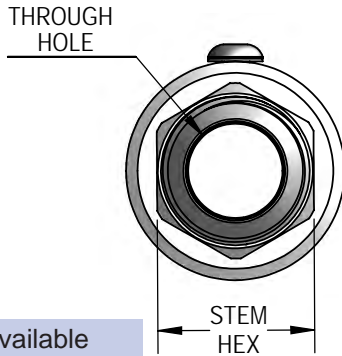
# Male Pipe (N.P.T.F.) X Male J.I.C. (37°)



Not Available  
In Stainless Steel!

PART NUMBER	O.A.L.	DIM. B	STEM THREAD	BODY THREAD	STEM HEX	BODY HEX/WRENCH	BODY DIA.	MAX P.S.I.G.	THROUGH HOLE
SS 4 MP 25 X MJ 4	2.450	1.720	1/4-18 N.P.T.F.	9/16-18 U.N.	0.625	1.000	HEX	5000	0.180
SS 4 MP 25 X MJ 6	2.450	1.720	1/4-18 N.P.T.F.	9/16-18 U.N.	0.625	1.000	HEX	5000	0.250
SS 4 MP 38 X MJ 6	2.530	1.720	3/8-18 N.P.T.F.	9/16-18 U.N.	0.750	1.000	HEX	5000	0.250
SS 8 MP 38 X MJ 8	3.010	1.900	3/8-18 N.P.T.F.	3/4-16 U.N.	1.000	1.375	1.480	5000	0.406
SS 8 MP 38 X MJ 10	3.160	2.050	3/8-18 N.P.T.F.	7/8-14 U.N.	1.000	1.375	1.480	5000	0.406
SS 8 MP 50 X MJ 8	3.090	1.900	1/2-14 N.P.T.F.	3/4-16 U.N.	1.000	1.375	1.480	5000	0.406
SS 8 MP 50 X MJ 10	3.230	2.050	1/2-14 N.P.T.F.	7/8-14 U.N.	1.000	1.375	1.480	5000	0.484
SS 12 MP 75 X MJ 12	3.360	2.125	3/4-14 N.P.T.F.	1 1/16-12 U.N.	1.125	1.560	1.675	4500	0.609
SS 16 MP 100 X MJ 16	4.075	2.650	1-11 1/2 N.P.T.F.	1 5/16-12 U.N.	1.375	1.810	1.917	4000	0.827
SS 20 MP 125 X MJ 20	4.355	2.850	1 1/4-11 1/2 N.P.T.F.	1 5/8-12 U.N.	1.750	2.188	2.357	4000	1.078
SS 24 MP 150 X MJ 24	5.119	3.444	1 1/2-11 1/2 N.P.T.F.	1 7/8-12 U.N.	2.000	2.375	2.557	4000	1.312

# Male J.I.C. (37°) X Male J.I.C. (37°)

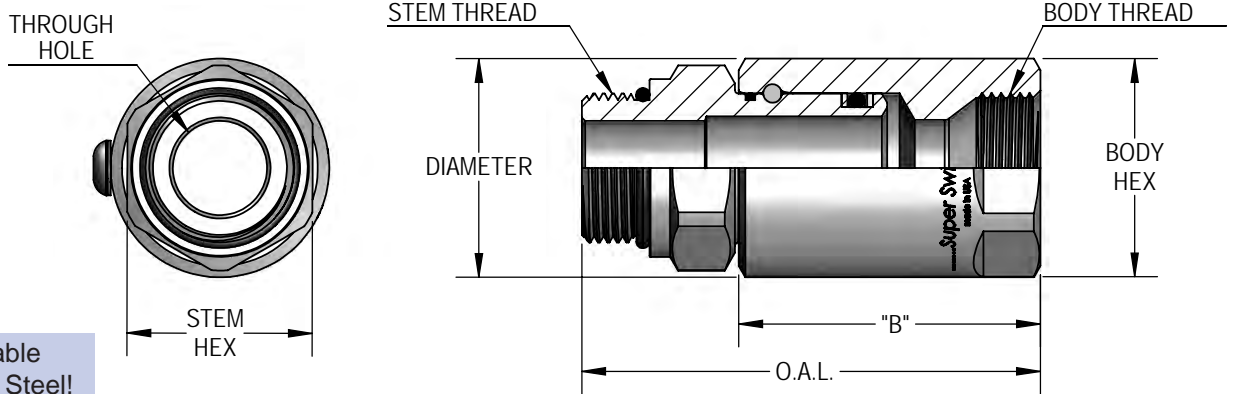


Not Available  
In Stainless Steel!



PART NUMBER	O.A.L.	DIM. B	STEM THREAD	BODY THREAD	STEM HEX	BODY HEX/WRENCH	BODY DIA.	MAX P.S.I.G.	THROUGH HOLE
SS 4 MJ 4 X MJ 4	2.650	1.720	7/16-20 U.N.	7/16-20 U.N.	0.625	1.000	HEX	5000	0.172
SS 4 MJ 6 X MJ 6	2.670	1.720	9/16-18 U.N.	9/16-18 U.N.	0.625	1.000	HEX	5000	0.250
SS 8 MJ 8 X MJ 8	2.985	1.900	3/4-16 U.N.	3/4-16 U.N.	1.000	1.375	1.480	5000	0.406
SS 8 MJ 10 X MJ 10	3.235	2.050	7/8-14 U.N.	7/8-14 U.N.	1.000	1.375	1.480	5000	0.484
SS 12 MJ 12 X MJ 12	3.485	2.125	1 1/16-12 U.N.	1 1/16-12 U.N.	1.125	1.560	1.675	4500	0.609
SS 16 MJ 16 X MJ 16	4.095	2.650	1 5/16-12 U.N.	1 5/16-12 U.N.	1.375	1.810	1.917	4000	0.827
SS 20 MJ 20 X MJ 20	4.395	2.850	1 5/8-12 U.N.	1 5/8-12 U.N.	1.750	2.189	2.357	4000	1.078
SS 24 MJ 24 X MJ 24	5.200	3.444	1 7/8-12 U.N.	1 7/8-12 U.N.	2.000	2.375	2.557	4000	1.312

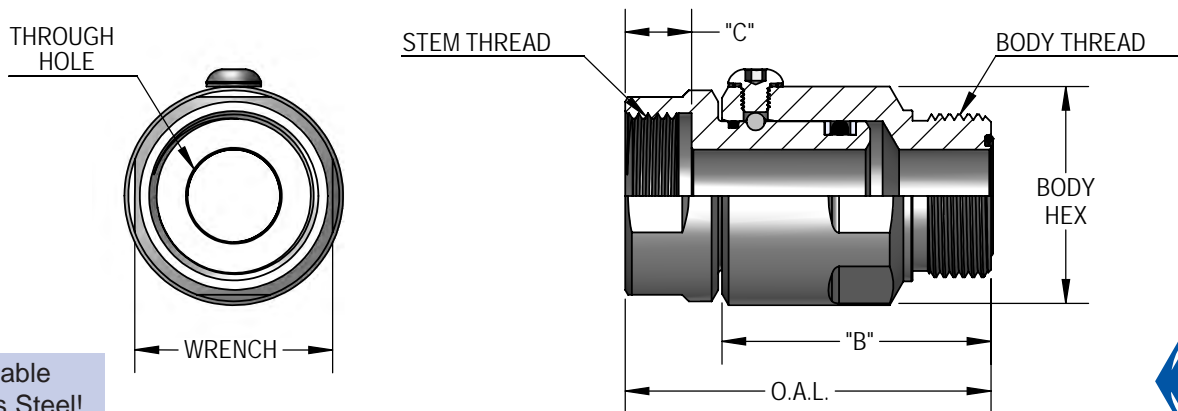
# Male O-Ring (O.R.B.) X Female J.I.C. (37°)



Not Available  
In Stainless Steel!

PART NUMBER	O.A.L.	DIM. B	STEM THREAD	BODY THREAD	STEM HEX	BODY HEX/WRENCH	BODY DIA.	MAX P.S.I.G.	THROUGH HOLE
SS 4 MO 6 X FJ 6	2.640	1.820	9/16-18 U.N.	9/16-18 U.N.	0.750	1.000	HEX	5000	0.250
SS 8 MO 8 X FJ 8	2.888	1.950	3/4-16 U.N.	3/4-16 U.N.	1.000	1.375	1.480	5000	0.406
SS 8 MO 10 X FJ 10	3.110	2.050	7/8-14 U.N.	7/8-14 U.N.	1.000	1.375	1.480	5000	0.484
SS 12 MO 12 X FJ 12	3.369	2.145	1 1/16-12 U.N.	1 1/16-12 U.N.	1.375	1.500	1.675	4500	0.609
SS 16 MO 16 X FJ 16	4.020	2.646	1 5/16-12 U.N.	1 5/16-12 U.N.	1.625	1.750	1.917	4000	0.827
SS 20 MO 20 X FJ 20	4.315	2.850	1 5/8-12 U.N.	1 5/8-12 U.N.	1.875	2.125	2.357	4000	1.078
SS 24 MO 24 X FJ 24	5.005	3.410	1 7/8-12 U.N.	1 7/8-12 U.N.	2.125	2.375	2.550	4000	1.312

# Female Face Seal (F.F.S.) X Male Face Seal (M.F.S.)

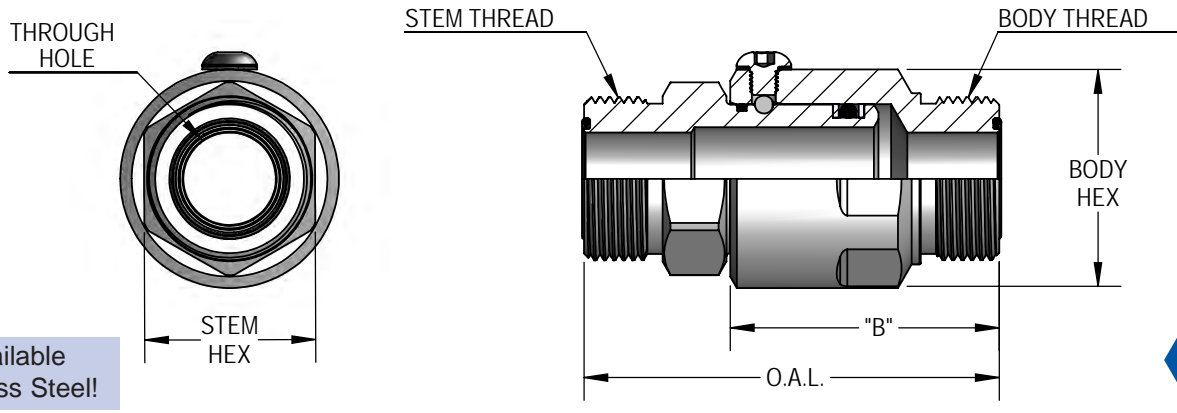


Not Available  
In Stainless Steel!



PART NUMBER	O.A.L.	DIM. B	DIM. C	STEM THREAD	BODY THREAD	WRENCH	BODY HEX/WRENCH	MAX P.S.I.G.	THROUGH HOLE
SS 4 FFS 6 X MFS 6	2.200	1.640	0.375	11/16-16 U.N.	11/16-16 U.N.	0.875	1.000	5000	0.250
SS 8 FFS 8 X MFS 8	2.400	1.709	0.433	13/16-16 U.N.	13/16-16 U.N.	1.120	1.375	5000	0.390
SS 8 FFS 10 X MFS 10	2.550	1.815	0.504	1-14 U.N.	1-14 U.N.	1.250	1.375	5000	0.484
SS 12 FFS 12 X MFS 12	2.690	1.900	0.571	1 3/16-12 U.N.	1 3/16-12 U.N.	1.500	1.560	4500	0.609
SS 16 FFS 16 X MFS 16	3.310	2.360	0.583	1 7/16-12 U.N.	1 7/16-12 U.N.	1.750	1.810	4000	0.811
SS 20 FFS 20 X MFS 20	3.390	2.500	0.583	1 11/16-12 U.N.	1 11/16-12 U.N.	2.125	2.188	4000	1.024

# Male Face Seal (M.F.S.) X Male Face Seal (M.F.S.)

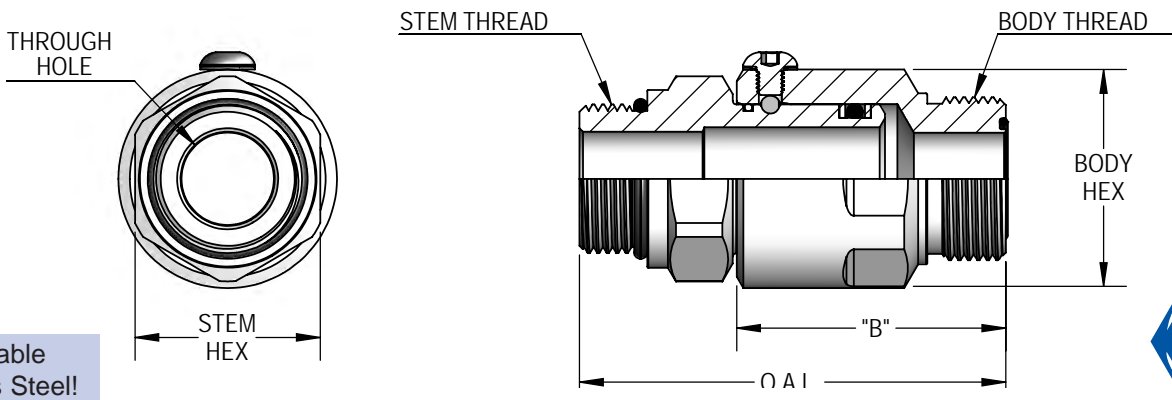


Not Available  
In Stainless Steel!



PART NUMBER	O.A.L.	DIM. B	STEM THREAD	BODY THREAD	STEM HEX	BODY HEX/WRENCH	MAX P.S.I.G.	THROUGH HOLE
SS 4 MFS 6 X MFS 6	2.421	1.640	11/16-16 U.N.	11/16-16 U.N.	0.750	1.000	5000	0.250
SS 8 MFS 8 X MFS 8	2.633	1.709	13/16-16 U.N.	13/16-16 U.N.	1.000	1.375	5000	0.390
SS 8 MFS 10 X MFS 10	2.935	1.815	1-14 U.N.	1-14 U.N.	1.125	1.375	5000	0.484
SS 12 MFS 12 X MFS 12	3.120	1.900	1 <sup>3</sup> / <sub>16</sub> -12 U.N.	1 <sup>3</sup> / <sub>16</sub> -12 U.N.	1.250	1.560	4500	0.609
SS 16 MFS 16 X MFS 16	3.639	2.360	1 <sup>7</sup> / <sub>16</sub> -12 U.N.	1 <sup>7</sup> / <sub>16</sub> -12 U.N.	1.500	1.810	4000	0.811
SS 20 MFS 20 X MFS 20	3.859	2.500	1 <sup>11</sup> / <sub>16</sub> -12 U.N.	1 <sup>11</sup> / <sub>16</sub> -12 U.N.	1.750	2.188	4000	1.024
SS 24 MFS 24 X MFS 24	4.479	3.050	2-12 U.N.	2-12 U.N.	2.125	2.375	4000	1.312

# Male O-Ring (O.R.B.) X Male Face Seal (M.F.S.)

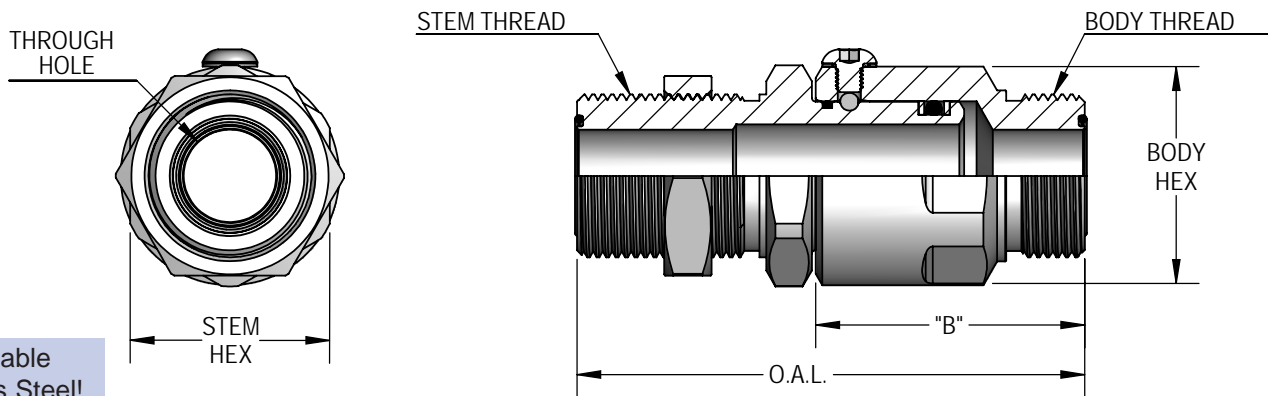


Not Available  
In Stainless Steel!



PART NUMBER	O.A.L.	DIM. B	STEM THREAD	BODY THREAD	STEM HEX	BODY HEX/WRENCH	MAX P.S.I.G.	THROUGH HOLE
SS 4 MO 6 X MFS 6	2.460	1.640	9/16-18 U.N.	11/16-16 U.N.	0.750	1.000	5000	0.250
SS 8 MO 8 X MFS 8	2.647	1.709	3/4-16 U.N.	13/16-16 U.N.	1.000	1.375	5000	0.390
SS 8 MO 10 X MFS 10	2.875	1.815	7/8-14 U.N.	1-14 U.N.	1.000	1.375	5000	0.484
SS 12 MO 12 X MFS 12	3.124	1.900	1 <sup>1</sup> / <sub>16</sub> -12 U.N.	1 <sup>3</sup> / <sub>16</sub> -12 U.N.	1.375	1.560	4500	0.609
SS 16 MO 16 X MFS 16	3.734	2.360	1 <sup>5</sup> / <sub>16</sub> -12 U.N.	1 <sup>7</sup> / <sub>16</sub> -12 U.N.	1.625	1.810	4000	0.811
SS 20 MO 20 X MFS 20	3.965	2.500	1 <sup>5</sup> / <sub>8</sub> -12 U.N.	1 <sup>11</sup> / <sub>16</sub> -12 U.N.	1.875	2.188	4000	1.024

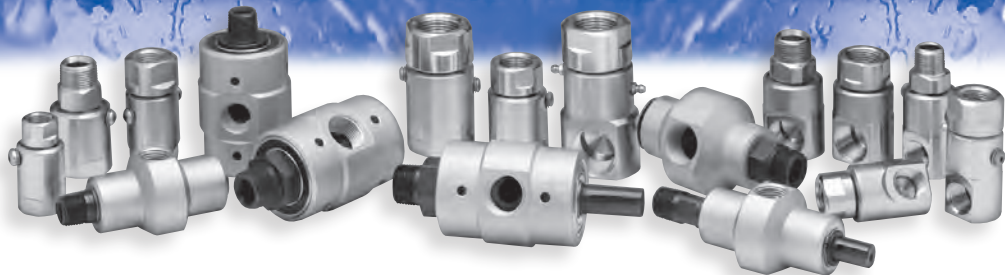
# Male Face Seal Bulkhead (M.F.S.B.) X Male Face Seal (M.F.S.)



Not Available  
In Stainless Steel!

PART NUMBER	O.A.L.	DIM. B	STEM THREAD	BODY THREAD	STEM HEX	BODY HEX/WRENCH	MAX P.S.I.G.	THROUGH HOLE
SS 4 MFSB 6 X MFS 6	3.320	1.640	11/16-16 U.N.	11/16-16 U.N.	1.000	1.000	5000	0.250
SS 8 MFSB 8 X MFS 8	3.529	1.709	13/16-16 U.N.	13/16-16 U.N.	1.125	1.375	5000	0.390
SS 8 MFSB 10 X MFS 10	3.798	1.815	1 -14 U.N.	1-14 U.N.	1.125	1.375	5000	0.484
SS 12 MFSB 12 X MFS 12	3.980	1.900	13/16-12 U.N.	13/16-12 U.N.	1.500	1.560	4500	0.609
SS 16 MFSB 16 X MFS 16	4.450	2.360	17/16-12 U.N.	17/16-12 U.N.	1.750	1.810	4000	0.811
SS 20 MFSB 20 X MFS 20	4.640	2.500	111/16-12 U.N.	111/16-12 U.N.	2.000	2.188	4000	1.024

## Automatic Car Wash Industry



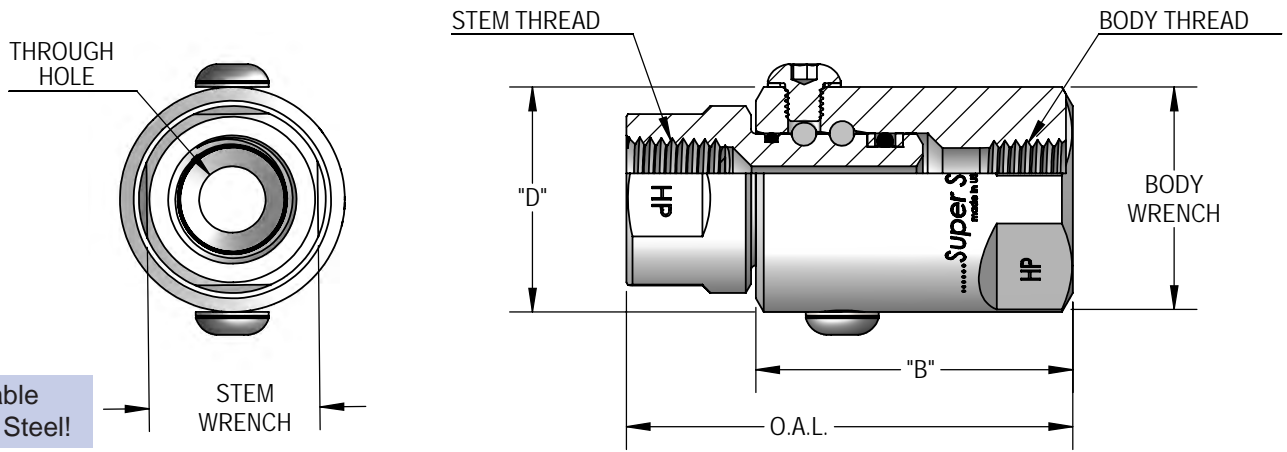
### Features For The Car Wash Industry

Super Swivels offers a large variety of sizes and configurations to fulfill industry applications. Our superior alloy steel construction and stainless steel ball bearings resist heavy side loads and provide a long life of service. Quality patented design coupled with meticulous construction, combined with rebuilding kits assure the best value and longest life in tough use.

Visit our website to see  
our complete selection and catalog.



# 10,000 P.S.I. Female Pipe (N.P.T.F.) X Female Pipe (N.P.T.F.)

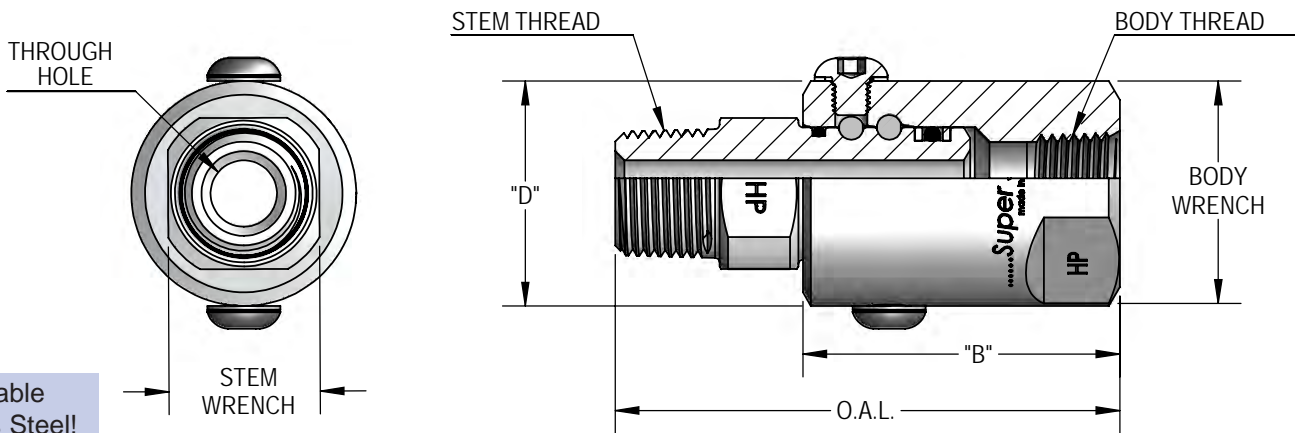


Not Available  
In Stainless Steel!

PART NUMBER	O.A.L.	DIM. B	DIM. D	WRENCH	BODY THREAD	STEM THREAD	STEM WRENCH	MAX P.S.I.G.	THROUGH HOLE
SS 8 HP FP 38 X FP 38	2.500	1.830	1.480	1.125	3/8-18 N.P.T.F.	3/8-18 N.P.T.F.	1.125	10,000	0.437
SS 8 HP FP 50 X FP 50	2.935	2.085	1.480	1.250	1/2-14 N.P.T.F.	1/2-14 N.P.T.F.F.	1.125	10,000	0.437

# HIGH PRESSURE ~ 10,000 P.S.I.

# 10,000 P.S.I. Male Pipe (N.P.T.F.) X Female Pipe (N.P.T.F.)



Not Available  
In Stainless Steel!

PART NUMBER	O.A.L.	DIM. B	DIM. D	WRENCH	BODY THREAD	STEM THREAD	STEM WRENCH	MAX P.S.I.G.	THROUGH HOLE
SS 8 HP MP 38 X FP 38	2.930	1.830	1.480	1.250	3/8-18 N.P.T.F.	3/8-18 N.P.T.F.	1.000	10,000	0.312
SS 8 HP MP 50 X FP 50	3.070	2.085	1.480	1.250	1/2-14 N.P.T.F.	1/2-14 N.P.T.F.F.	1.000	10,000	0.437

# 90° Swivels



## *Switch Your Swivel!*<sup>®</sup>

**90° Swivels** rotating joints provide free rotation on one axis with a right-angle change of path. They reduce the complexity of hose lines providing for minimal friction and allowing free movement of hoses and piping. 90° Super Swivels allow for sharp corners with reduced risk of kinks and flow restriction and free rotation. Super Swivels ball bearing race design withstands heavy side loads preventing premature seal wear and leaks. Super Swivels connect directly to hose lines without adapters reducing overall costs of hydraulics. 90° Swivels sizes range from 1/8" through 2" body thread with numerous fittings and seal configurations.

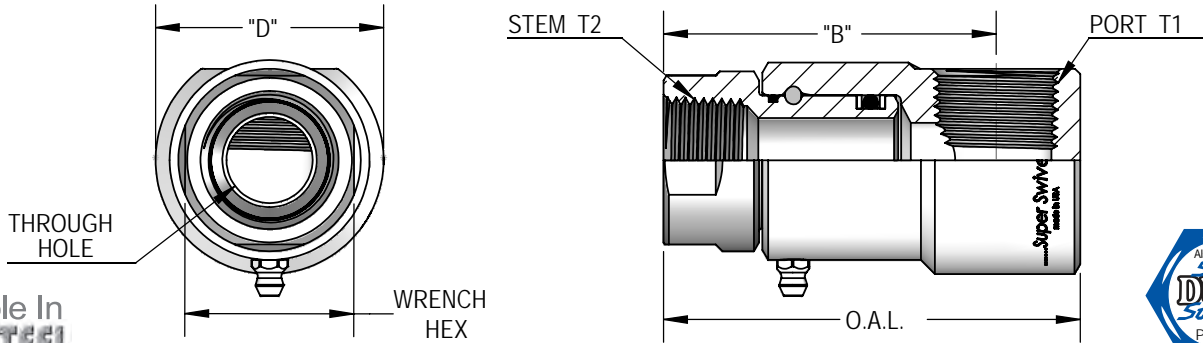
[www.SuperSwivels.com](http://www.SuperSwivels.com)

Email: [sales@superswivels.com](mailto:sales@superswivels.com)

763-784-5531

Fax: 763-784-7422

# Female Pipe (N.P.T.F.) X Female Pipe (N.P.T.F.)

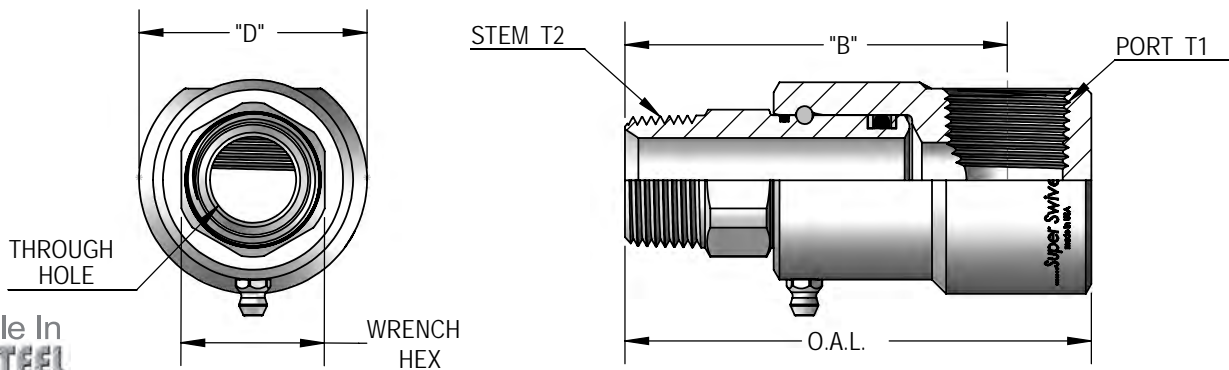


Also Available In  
**STAINLESS STEEL**



PART NUMBER	O.A.L.	DIM. B	DIM. D Ø	WRENCH/HEX	PORT T1	STEM T2	SWG. RADIUS	MAX. P.S.I.G.	THROUGH HOLE
9 SS 2 FP 12.5 X FP 12.5	1.784	1.524	0.879	0.625	1/8-27 N.P.T.F.	1/8-27 N.P.T.F.	0.375	5000	0.157
9 SS 4 FP 25 X FP 25	2.240	1.875	1.192	0.750	1/4-18 N.P.T.F.	1/4-18 N.P.T.F.	0.525	5000	0.250
9 SS 8 FP 38 X FP 38	2.673	2.126	1.495	0.875	3/8-18 N.P.T.F.	3/8-18 N.P.T.F.	0.588	5000	0.530
9 SS 8 FP 50 X FP 50	2.820	2.275	1.495	1.125	1/2-14 N.P.T.F.	1/2-14 N.P.T.F.	0.588	5000	0.530
9 SS 12 FP 75 X FP 75	3.030	2.365	1.710	1.375	3/4-14 N.P.T.F.	3/4-14 N.P.T.F.	0.662	4500	0.609
9 SS 16 FP 100 X FP 100	4.000	3.190	2.162	1.625	1-11 <sup>1</sup> / <sub>2</sub> N.P.T.F.	1-11 <sup>1</sup> / <sub>2</sub> N.P.T.F.	0.824	4000	0.827
9 SS 20 FP 125 X FP 125	4.365	3.395	2.702	2.000	1 <sup>1</sup> / <sub>4</sub> -11 <sup>1</sup> / <sub>2</sub> N.P.T.F.	1 <sup>1</sup> / <sub>4</sub> -11 <sup>1</sup> / <sub>2</sub> N.P.T.F.	1.049	4000	1.181
9 SS 24 FP 150 X FP 150	5.605	4.375	2.917	2.375	1 <sup>1</sup> / <sub>2</sub> -11 <sup>1</sup> / <sub>2</sub> N.P.T.F.	1 <sup>1</sup> / <sub>2</sub> -11 <sup>1</sup> / <sub>2</sub> N.P.T.F.	1.076	4000	1.312
9 SS 32 FP 200 X FP 200	6.420	5.050	3.667	2.875	2-11 <sup>1</sup> / <sub>2</sub> N.P.T.F.	2-11 <sup>1</sup> / <sub>2</sub> N.P.T.F.	1.386	3000	1.781

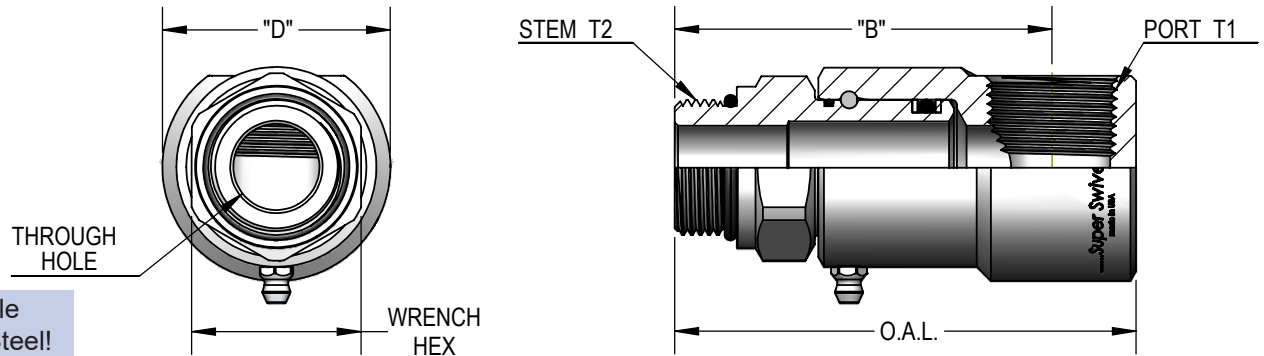
# Male Pipe (N.P.T.F.) X Female Pipe (N.P.T.F.)



Also Available In  
**STAINLESS STEEL**

PART NUMBER	O.A.L.	DIM. B	DIM. D Ø	WRENCH/HEX	PORT T1	STEM T2	SWG. RADIUS	MAX. P.S.I.G.	THROUGH HOLE
9 SS 2 MP 12.5 X FP 12.5	1.855	1.595	0.879	0.437	1/8-27 N.P.T.F.	1/8-27 N.P.T.F.	0.375	5000	0.157
9 SS 4 MP 25 X FP 25	2.370	2.000	1.192	0.625	1/4-18 N.P.T.F.	1/4-18 N.P.T.F.	0.525	5000	0.250
9 SS 4 MP 38 X FP 25	2.450	2.080	1.192	0.750	1/4-18 N.P.T.F.	3/8-18 N.P.T.F.	0.525	5000	0.250
9 SS 7 MP 38 X FP 38	3.085	2.527	1.357	0.750	3/8-18 N.P.T.F.	3/8-18 N.P.T.F.	0.565	5000	0.406
9 SS 8 MP 38 X FP 38	3.100	2.550	1.495	1.000	3/8-18 N.P.T.F.	3/8-18 N.P.T.F.	0.588	5000	0.406
9 SS 8 MP 50 X FP 50	3.170	2.630	1.495	1.000	1/2-14 N.P.T.F.	1/2-14 N.P.T.F.	0.588	5000	0.530
9 SS 12 MP 75 X FP 75	3.430	2.760	1.710	1.125	3/4-14 N.P.T.F.	3/4-14 N.P.T.F.	0.643	4500	0.609
9 SS 16 MP 100 X FP 100	4.475	3.667	2.162	1.375	1-11 <sup>1</sup> / <sub>2</sub> N.P.T.F.	1-11 <sup>1</sup> / <sub>2</sub> N.P.T.F.	0.824	4000	0.827
9 SS 20 MP 125 X FP 125	4.873	3.905	2.702	1.750	1 <sup>1</sup> / <sub>4</sub> -11 <sup>1</sup> / <sub>2</sub> N.P.T.F.	1 <sup>1</sup> / <sub>4</sub> -11 <sup>1</sup> / <sub>2</sub> N.P.T.F.	1.049	4000	1.181
9 SS 24 MP 150 X FP 150	6.185	4.955	2.917	2.000	1 <sup>1</sup> / <sub>2</sub> -11 <sup>1</sup> / <sub>2</sub> N.P.T.F.	1 <sup>1</sup> / <sub>2</sub> -11 <sup>1</sup> / <sub>2</sub> N.P.T.F.	1.076	4000	1.312

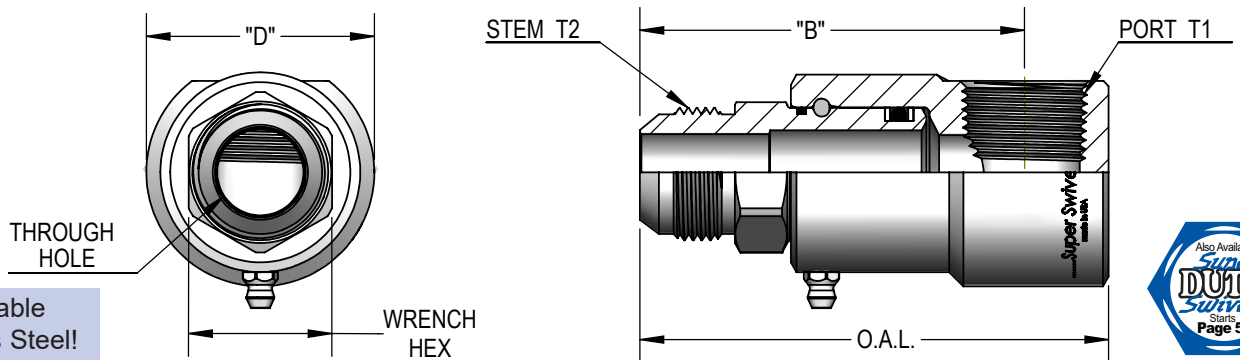
# Male O-Ring (O.R.B.) X Female Pipe (N.P.T.F.)



Not Available  
In Stainless Steel!

PART NUMBER	O.A.L.	DIM. B	DIM. D Ø	WRENCH/HEX	PORT T1	STEM T2	SWG. RADIUS	MAX. P.S.I.G.	THROUGH HOLE
9 SS 4 MO 4 X FP 25	2.460	2.090	1.192	0.625	1/4-18 N.P.T.F.	7/16-20 U.N.	0.525	5000	0.172
9 SS 4 MO 6 X FP 25	2.460	2.090	1.192	0.750	1/4-18 N.P.T.F.	9/16-18 U.N.	0.525	5000	0.250
9 SS 8 MO 8 X FP 38	2.930	2.380	1.495	1.000	3/8-18 N.P.T.F.	3/4-16 U.N.	0.588	5000	0.391
9 SS 8 MO 10 X FP 38	3.050	2.500	1.495	1.000	3/8-18 N.P.T.F.	7/8-14 U.N.	0.588	5000	0.484
9 SS 8 MO 8 X FP 50	2.923	2.376	1.495	1.000	1/2-14 N.P.T.F.	3/4-16 U.N.	0.588	5000	0.391
9 SS 8 MO 10 X FP 50	3.045	2.498	1.495	1.000	1/2-14 N.P.T.F.	7/8-14 U.N.	0.588	5000	0.484
9 SS 12 MO 12 X FP 75	3.419	2.754	1.710	1.375	3/4-14 N.P.T.F.	1 1/16-12 U.N.	0.643	4500	0.609
9 SS 16 MO 16 X FP 100	4.424	3.616	2.162	1.625	1-11 1/2 N.P.T.F.	1 5/16-12 U.N.	0.827	4000	0.827
9 SS 20 MO 20 X FP 125	4.833	3.865	2.702	1.875	1 1/4 -11 1/2 N.P.T.F.	1 5/8-12 U.N.	1.049	4000	1.078
9 SS 24 MO 24 X FP 150	6.105	4.875	2.917	2.125	1 1/2 -11 1/2 N.P.T.F.	1 7/8-12 U.N.	1.076	4000	1.312

# Male J.I.C. (37°) X Female Pipe (N.P.T.F.)

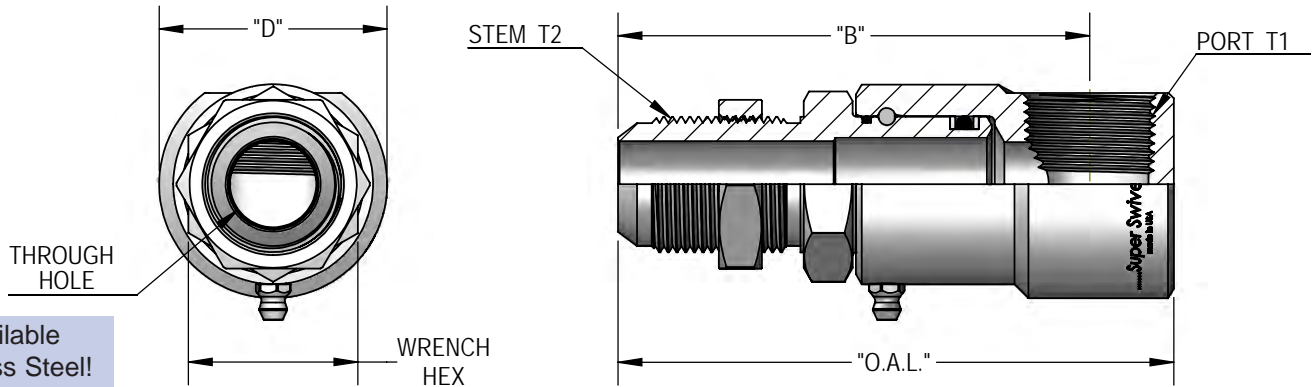


Not Available  
In Stainless Steel!



PART NUMBER	O.A.L.	DIM. B	DIM. D Ø	WRENCH/HEX	PORT T1	STEM T2	SWG. RADIUS	MAX. P.S.I.G.	THROUGH HOLE
9 SS 4 MJ 4 X FP 25	2.570	2.200	1.190	0.625	1/4-18 N.P.T.F.	7/16-20 U.N.	0.525	5000	0.172
9 SS 4 MJ 6 X FP 25	2.590	2.220	1.190	0.625	1/4-18 N.P.T.F.	9/16-18 U.N.	0.525	5000	0.250
9 SS 8 MJ 6 X FP 38	2.970	2.430	1.495	1.000	3/8-18 N.P.T.F.	9/16-18 U.N.	0.651	5000	0.297
9 SS 8 MJ 8 X FP 38	3.080	2.460	1.495	1.000	3/8-18 N.P.T.F.	3/4-16 U.N.	0.651	5000	0.391
9 SS 8 MJ 10 X FP 38	3.173	2.560	1.495	1.000	3/8-18 N.P.T.F.	7/8-14 U.N.	0.651	5000	0.484
9 SS 8 MJ 8 X FP 50	3.070	2.523	1.495	1.000	1/2-14 N.P.T.F.	3/4-16 U.N.	0.581	5000	0.391
9 SS 8 MJ 10 X FP 50	3.170	2.623	1.495	1.000	1/2-14 N.P.T.F.	7/8-14 U.N.	0.581	5000	0.484
9 SS 12 MJ 12 X FP 75	3.555	2.890	1.710	1.125	3/4-14 N.P.T.F.	1 1/16-12 U.N.	0.643	4500	0.609
9 SS 16 MJ 16 X FP 100	4.495	3.687	2.160	1.375	1-11 1/2 N.P.T.F.	1 1/16-12 U.N.	0.741	4000	0.827

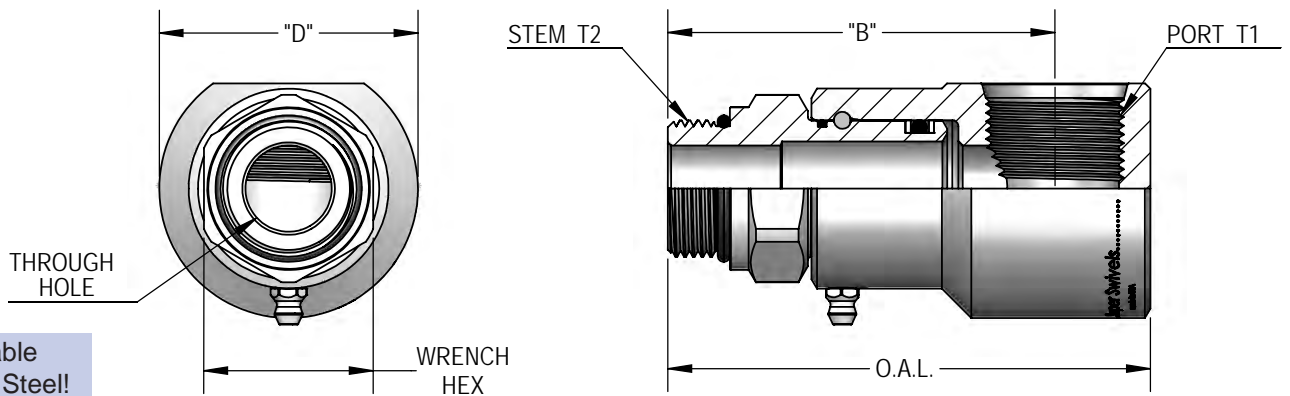
# Male J.I.C. Bulkhead (37°) X Female Pipe (N.P.T.F.)



Not Available  
In Stainless Steel!

PART NUMBER	O.A.L.	DIM. B	DIM. D Ø	WRENCH/HEX	PORT T1	STEM T2	SWG. RADIUS	MAX. P.S.I.G.	THROUGH HOLE
9 SS 4 MJB 6 X FP 25	3.230	2.860	1.190	.812	1/4-18 N.P.T.F.	9/16-18 U.N.	0.530	5000	0.250
9 SS 8 MJB 8 X FP 38	3.810	3.260	1.495	1.000	3/8-18 N.P.T.F.	3/4-16 U.N.	0.651	5000	0.406
9 SS 8 MJB 8 X FP 50	3.805	3.258	1.495	1.000	1/2-14 N.P.T.F.	3/4-16 U.N.	0.581	5000	0.406
9 SS 8 MJB 10 X FP 38	4.025	3.478	1.495	1.125	3/8-18 N.P.T.F.	7/8-14 U.N.	0.650s	5000	0.484
9 SS 8 MJB 10 X FP 50	4.025	3.478	1.495	1.125	1/2-14 N.P.T.F.	7/8-14 U.N.	0.581	5000	0.484
9 SS 12 MJB 12 X FP 75	4.475	3.810	1.710	1.375	3/4-14 N.P.T.F.	1 1/16-12 U.N.	0.643	4500	0.609
9 SS 16 MJB 16 X FP 100	5.330	4.522	2.162	1.625	1-11 1/2 N.P.T.F.	1 5/16-12 U.N.	0.741	4000	0.827
9 SS 20 MJB 20 X FP 125	5.808	4.840	2.702	1.875	1 1/4-11 1/2 N.P.T.F.	1 5/8-12 U.N.	1.049	4000	1.073

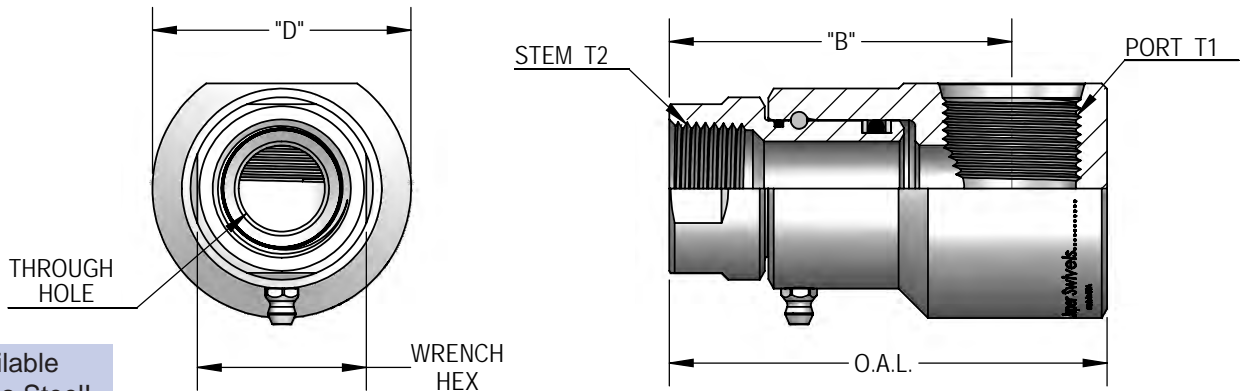
# Male O-Ring (O.R.B.) X Female O-Ring (O.R.B.)



Not Available  
In Stainless Steel!

PART NUMBER	O.A.L.	DIM. B	DIM. D Ø	WRENCH/HEX	PORT T1	STEM T2	SWG. RADIUS	MAX. P.S.I.G.	THROUGH HOLE
9 SS 4 MO 4 X FO 6	2.727	2.215	1.292	0.625	9/16-18 U.N.	7/16-20 U.N.	0.541	5000	0.172
9 SS 4 MO 6 X FO 6	2.727	2.215	1.292	0.750	9/16-18 U.N.	9/16-18 U.N.	0.541	5000	0.250
9 SS 8 MO 8 X FO 8	2.920	2.375	1.662	1.000	3/4-16 U.N.	3/4-16 U.N.	0.703	5000	0.391
9 SS 8 MO 10 X FO 8	3.050	2.500	1.662	1.000	3/4-16 U.N.	7/8-14 U.N.	0.703	5000	0.484
9 SS 12 MO 12 X FO 12	3.709	2.884	2.172	1.375	1 1/16-12 U.N.	1 1/16-12 U.N.	0.900	4500	0.609
9 SS 16 MO 16 X FO 16	4.624	3.709	2.482	1.625	1 5/16-12 U.N.	1 5/16-12 U.N.	1.009	4000	0.827

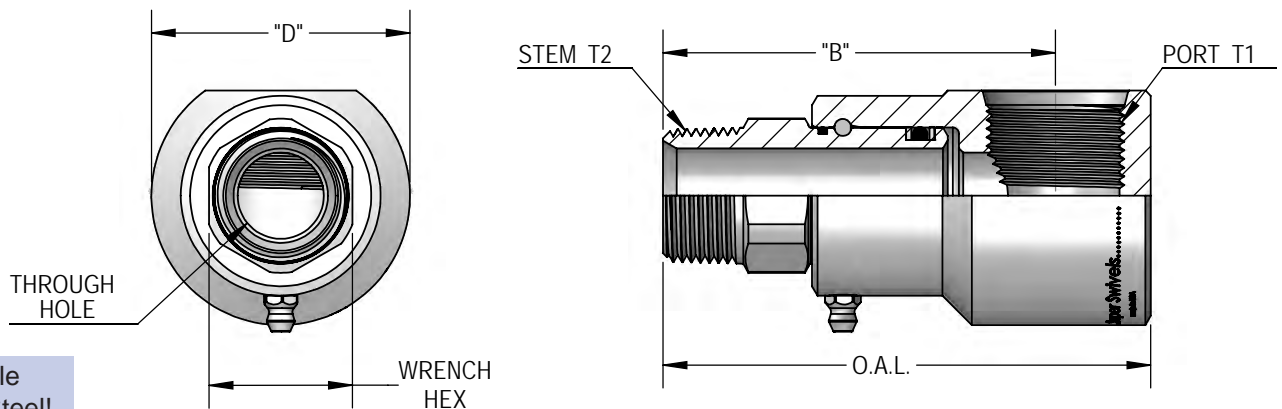
# Female Pipe (N.P.T.F.) X Female O-Ring (O.R.B.)



Not Available  
In Stainless Steel!

PART NUMBER	O.A.L.	DIM. B	DIM. D Ø	WRENCH/HEX	PORT T1	STEM T2	SWG. RADIUS	MAX. P.S.I.G.	THROUGH HOLE
9 SS 4 FP 25 X FO 6	2.510	2.000	1.292	0.750	9/16-18 U.N.	1/4-18 N.P.T.F.	0.541	5000	0.250
9 SS 8 FP 38 X FO 8	2.670	2.125	1.662	0.875	3/4-16 U.N.	3/8-18 N.P.T.F.	0.703	5000	0.530
9 SS 8 FP 50 X FO 8	2.820	2.270	1.662	1.125	3/4-16 U.N.	1/2-14 N.P.T.F.	0.703	5000	0.530
9 SS 12 FP 75 X FO 12	3.320	2.500	2.172	1.375	1 <sup>1</sup> / <sub>16</sub> -12 U.N.	3/4-14 N.P.T.F.	0.900	4500	0.609
9 SS 16 FP 100 X FO 16	4.200	3.280	2.482	1.625	1 <sup>5</sup> / <sub>16</sub> -12 U.N.	1-11 <sup>1</sup> / <sub>2</sub> N.P.T.F.	1.009	4000	0.827
9 SS 20 FP 125 X FO 20	4.660	3.574	2.977	2.000	1 <sup>5</sup> / <sub>8</sub> -12 U.N.	1 <sup>1</sup> / <sub>4</sub> -11 <sup>1</sup> / <sub>2</sub> N.P.T.F.	1.185	4000	1.181

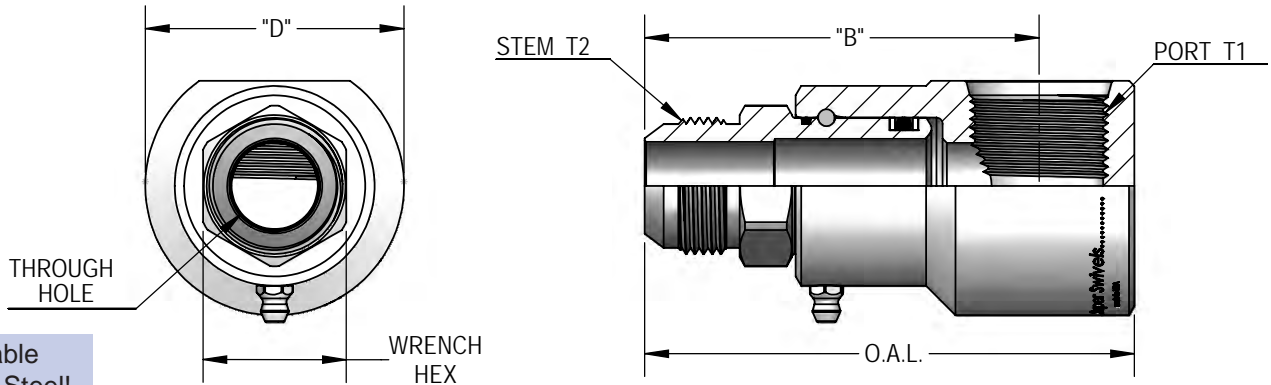
# Male Pipe (N.P.T.F.) X Female O-Ring (O.R.B.)



Not Available  
In Stainless Steel!

PART NUMBER	O.A.L.	DIM. B	DIM. D Ø	WRENCH/HEX	PORT T1	STEM T2	SWG. RADIUS	MAX. P.S.I.G.	THROUGH HOLE
9 SS 4 MP 25 X FO 6	2.640	2.130	1.292	0.625	9/16-18 U.N.	1/4-18 N.P.T.F.	0.541	5000	0.250
9 SS 4 MP 38 X FO 6	2.720	2.200	1.292	0.750	9/16-18 U.N.	3/8-18 N.P.T.F.	0.541	5000	0.250
9 SS 8 MP 38 X FO 8	3.100	2.550	1.662	1.000	3/4-16 U.N.	3/8-18 N.P.T.F.	0.703	5000	0.406
9 SS 8 MP 50 X FO 8	3.170	2.620	1.662	1.000	3/4-16 U.N.	1/2-14 N.P.T.F.	0.703	5000	0.530
9 SS 12 MP 75 X FO 12	3.720	2.895	2.172	1.125	1 <sup>1</sup> / <sub>16</sub> -12 U.N.	3/4-14 N.P.T.F.	0.900	4500	0.609
9 SS 16 MP 100 X FO 16	4.675	3.760	2.482	1.375	1 <sup>5</sup> / <sub>16</sub> -12 U.N.	1-11 <sup>1</sup> / <sub>2</sub> N.P.T.F.	1.009	4000	0.827

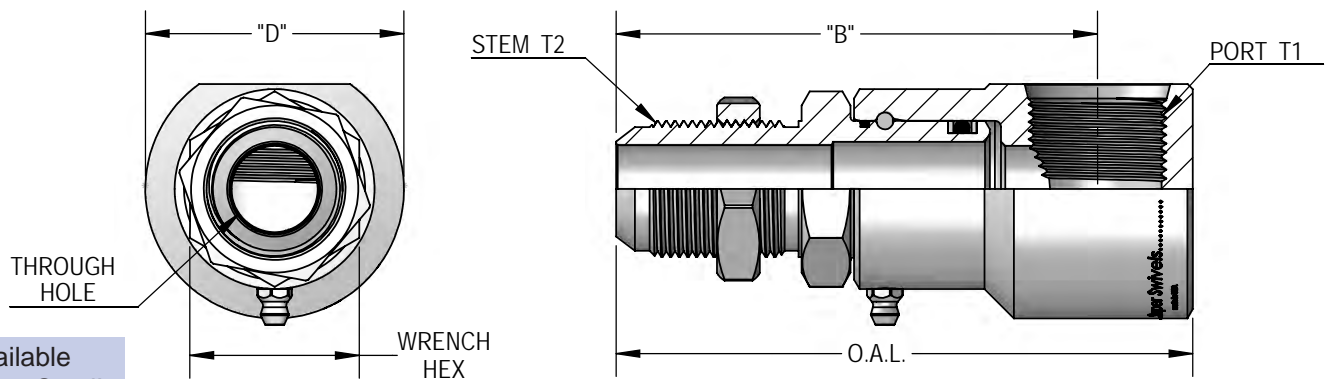
# Male J.I.C. (37°) X Female O-Ring (O.R.B.)



Not Available  
In Stainless Steel!

PART NUMBER	O.A.L.	DIM. B	DIM. D Ø	WRENCH/HEX	PORT T1	STEM T2	SWG. RADIUS	MAX. P.S.I.G.	THROUGH HOLE
9 SS 4 MJ 4 X FO 6	2.837	2.325	1.292	0.625	9/16-18 U.N.	7/16-20 U.N.	0.541	5000	0.172
9 SS 4 MJ 6 X FO 6	2.857	2.345	1.292	0.625	9/16-18 U.N.	9/16-18 U.N.	0.541	5000	0.250
9 SS 8 MJ 8 X FO 8	3.070	2.520	1.662	1.000	3/4-16 U.N.	3/4-16 U.N.	0.703	5000	0.391
9 SS 8 MJ 10 X FO 8	3.170	2.600	1.662	1.000	3/4-16 U.N.	7/8-14 U.N.	0.703	5000	0.484
9 SS 12 MJ 12 X FO 12	3.845	3.020	2.172	1.125	1 1/16-12 U.N.	1 1/16-12 U.N.	0.900	4500	0.609
9 SS 16 MJ 16 X FO 16	4.695	3.780	2.482	1.375	1 5/16-12 U.N.	1 5/16-12 U.N.	1.009	4000	0.827
9 SS 20 MJ 20 X FO 20	5.207	4.124	2.977	1.750	1 5/8-12 U.N.	1 5/8-12 U.N.	1.184	4000	1.078

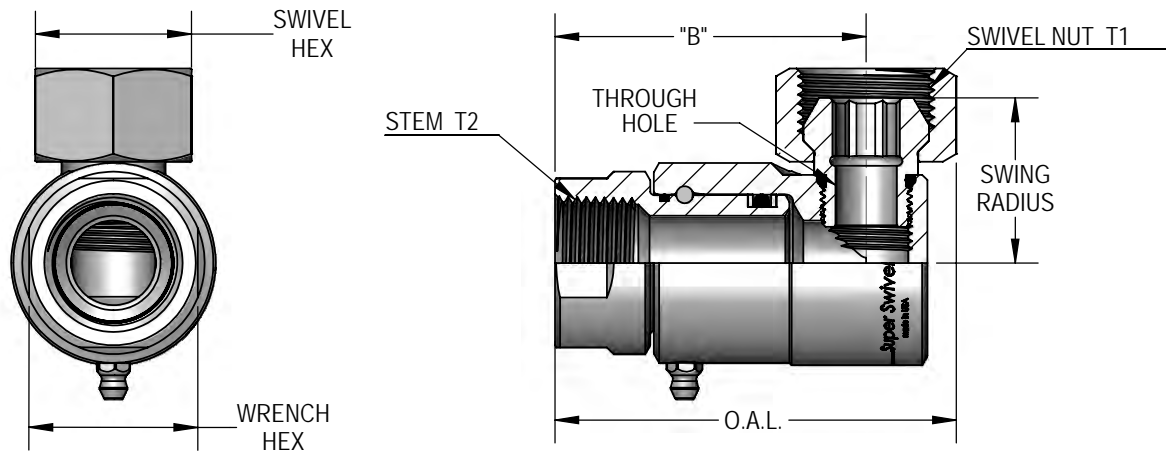
# Male J.I.C. Bulkhead (37°) X Female O-Ring (O.R.B.)



Not Available  
In Stainless Steel!

PART NUMBER	O.A.L.	DIM. B	DIM. D Ø	WRENCH/HEX	PORT T1	STEM T2	SWG. RADIUS	MAX. P.S.I.G.	THROUGH HOLE
9 SS 4 MJB 6 X FO 6	3.500	2.990	1.290	.812	9/16-18 U.N.	9/16-18 U.N.	0.580	5000	0.250
9 SS 8 MJB 8 X FO 8	3.800	3.240	1.662	1.000	3/4-16 U.N.	3/4-16 U.N.	0.703	5000	0.391
9 SS 8 MJB 10 X FO 8	4.030	3.480	1.662	1.125	3/4-16 U.N.	7/8-14 U.N.	0.703	5000	0.484
9 SS 12 MJB 12 X FO 12	4.765	3.940	2.172	1.375	1 1/16-12 U.N.	1 1/16-12 U.N.	0.900	4500	0.609
9 SS 16 MJB 16 X FO 16	5.530	4.615	2.482	1.625	1 5/16-12 U.N.	1 5/16-12 U.N.	1.009	4000	0.827

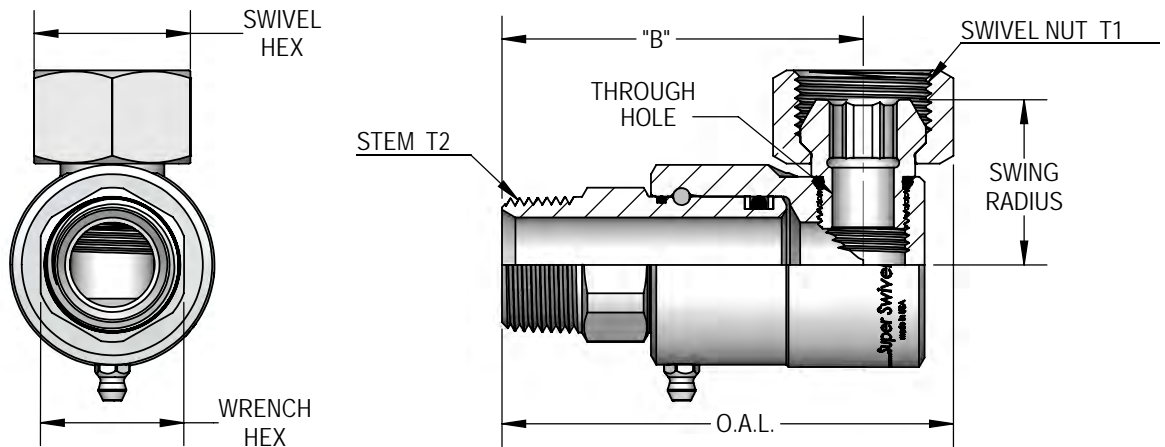
# Female Pipe (N.P.T.F.) X Pipe Swivel (N.P.S.M.)



Not Available  
In Stainless Steel!

PART NUMBER	O.A.L.	DIM. B	SWIVEL HEX	WRENCH/HEX	SWIVEL NUT T1	STEM T2	SWG. RADIUS	MAX. P.S.I.G.	THROUGH HOLE
9 SS 4 FP 25 X PS 25	2.510	2.000	0.687	0.750	1/4-18 N.P.S.M.	1/4-18 N.P.T.F.	1.326	3500	0.218
9 SS 4 FP 25 X PS 38	2.510	2.000	0.875	0.750	3/8-18 N.P.S.M.	1/4-18 N.P.T.F.	1.555	3500	0.250
9 SS 8 FP 38 X PS 38	2.670	2.120	0.875	0.875	3/8-18 N.P.S.M.	3/8-18 N.P.T.F.	1.437	3500	0.327
9 SS 8 FP 50 X PS 50	2.850	2.270	1.000	1.125	1/2-14 N.P.S.M.	1/2-14 N.P.T.F.	1.521	3500	0.390
9 SS 12 FP 75 X PS 75	3.080	2.360	1.250	1.375	3/4-14 N.P.S.M.	3/4-14 N.P.T.F.	1.664	3500	0.521
9 SS 16 FP 100 X PS 100	3.850	2.980	1.500	1.625	1-11 <sup>1</sup> / <sub>2</sub> N.P.S.M.	1-11 <sup>1</sup> / <sub>2</sub> N.P.T.F.	1.956	3500	0.590
9 SS 20 FP 125 X PS 125	4.365	3.285	1.875	2.000	1 <sup>1</sup> / <sub>4</sub> -11 <sup>1</sup> / <sub>2</sub> N.P.S.M.	1 <sup>1</sup> / <sub>4</sub> -11 <sup>1</sup> / <sub>2</sub> N.P.T.F.	2.570	3500	0.906
9 SS 24 FP 150 X PS 150	5.260	4.040	2.125	2.375	1 <sup>1</sup> / <sub>2</sub> -11 <sup>1</sup> / <sub>2</sub> N.P.S.M.	1 <sup>1</sup> / <sub>2</sub> -11 <sup>1</sup> / <sub>2</sub> N.P.T.F.	2.630	3500	1.040

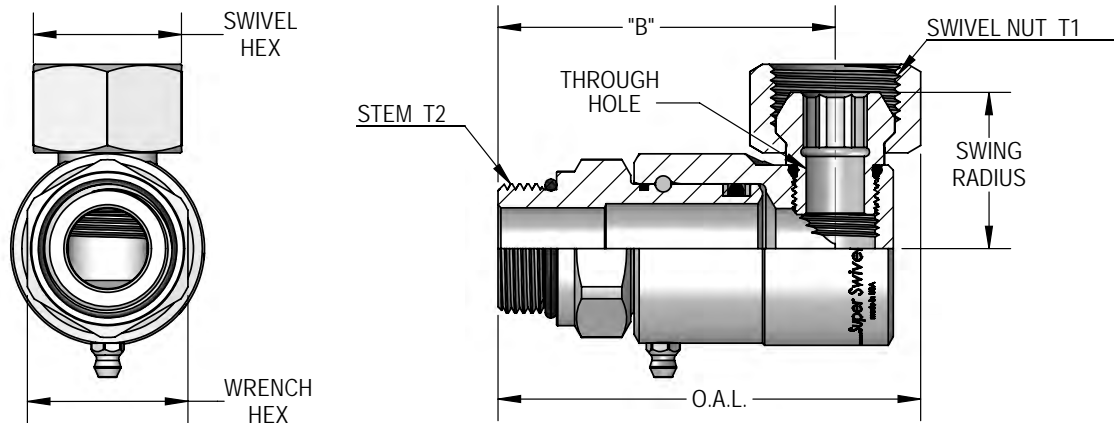
# Male Pipe (N.P.T.F.) X Pipe Swivel (N.P.S.M.)



Not Available  
In Stainless Steel!

PART NUMBER	O.A.L.	DIM. B	SWIVEL HEX	WRENCH/HEX	SWIVEL NUT T1	STEM T2	SWG. RADIUS	MAX. P.S.I.G.	THROUGH HOLE
9 SS 4 MP 25 X PS 25	2.640	2.120	0.687	0.625	1/4-18 N.P.S.M.	1/4-18 N.P.T.F.	1.326	3500	0.218
9 SS 4 MP 38 X PS 25	2.720	2.210	0.687	0.750	1/4-18 N.P.S.M.	3/8-18 N.P.T.	1.326	3500	0.218
9 SS 4 MP 25 X PS 38	2.640	2.120	0.875	0.625	3/8-18 N.P.S.M.	1/4-18 N.P.T.F.	1.555	3500	0.250
9 SS 4 MP 38 X PS 38	2.720	2.210	0.875	0.750	3/8-18 N.P.S.M.	3/8-18 N.P.T.	1.555	3500	0.250
9 SS 8 MP 38 X PS 38	3.095	2.548	0.875	1.000	3/8-18 N.P.S.M.	3/8-18 N.P.T.F.	1.437	3500	0.327
9 SS 8 MP 50 X PS 50	3.170	2.620	1.000	1.000	1/2-14 N.P.S.M.	1/2-14 N.P.T.F.	1.521	3500	0.390
9 SS 12 MP 75 X PS 75	3.481	2.760	1.250	1.125	3/4-14 N.P.S.M.	3/4-14 N.P.T.F.	1.664	3500	0.521
9 SS 16 MP 100 X PS 100	4.327	3.462	1.500	1.375	1-11 <sup>1</sup> / <sub>2</sub> N.P.S.M.	1-11 <sup>1</sup> / <sub>2</sub> N.P.T.F.	1.956	3500	0.590

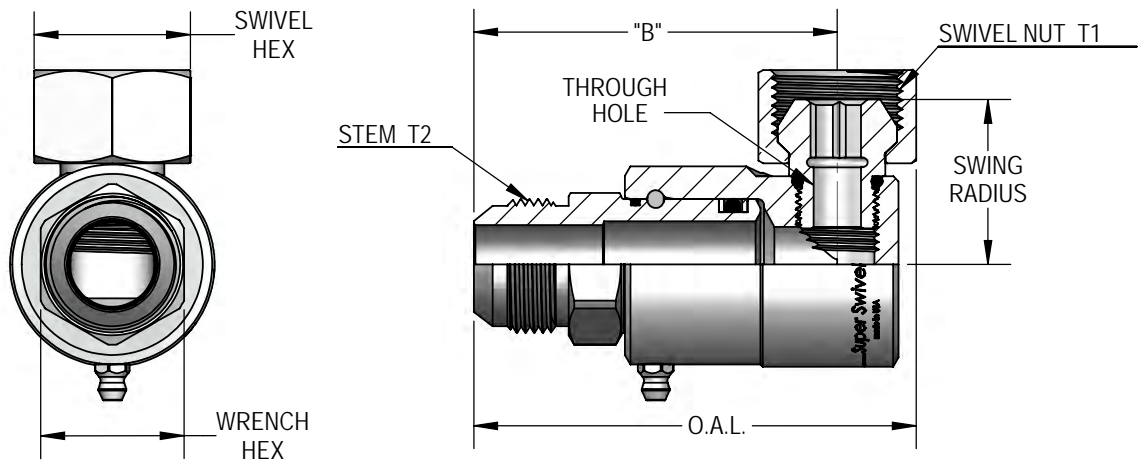
# Male O-Ring (O.R.B.) X Pipe Swivel (N.P.S.M.)



Not Available  
In Stainless Steel!

PART NUMBER	O.A.L.	DIM. B	SWIVEL HEX	WRENCH/HEX	SWIVEL NUT T1	STEM T2	SWG. RADIUS	MAX. P.S.I.G.	THROUGH HOLE
9 SS 4 MO 4 X PS 25	2.727	2.215	0.687	0.687	1/4-18 N.P.S.M.	7/16-20 U.N.	1.326	3500	0.172
9 SS 4 MO 6 X PS 25	2.727	2.215	0.687	0.750	1/4-18 N.P.S.M.	9/16-18 U.N.	1.326	3500	0.218
9 SS 4 MO 6 X PS 38	2.727	2.215	0.875	0.750	3/8-18 N.P.S.M.	9/16-18 U.N.	1.555	3500	0.250
9 SS 8 MO 8 X PS 38	2.923	2.376	0.875	1.000	3/8-18 N.P.S.M.	3/4-16 U.N.	1.437	3500	0.327
9 SS 8 MO 8 X PS 50	2.953	2.376	1.000	1.000	1/2-14 N.P.S.M.	3/4-16 U.N.	1.521	3500	0.327
9 SS 8 MO 10 X PS 50	3.075	2.498	1.000	1.000	1/2-14 N.P.S.M.	7/8-14 U.N.	1.521	3500	0.390
9 SS 12 MO 12 X PS 75	3.470	2.749	1.250	1.375	3/4-14 N.P.S.M.	11/16-12 U.N.	1.664	3500	0.521
9 SS 16 MO 16 X PS 100	4.276	3.411	1.500	1.625	1-11 1/2 N.P.S.M.	15/16-12 U.N.	1.956	3500	0.590
9 SS 20 MO 20 X PS 125	4.837	3.755	1.875	1.875	1 1/4-11 1/2 N.P.S.M.	15/8-12 U.N.	2.570	3500	0.906
9 SS 24 MO 24 X PS 150	5.750	4.540	2.125	2.125	1 1/2-11 1/2 N.P.S.M.	17/8 -12 U.N.	2.630	3500	1.040

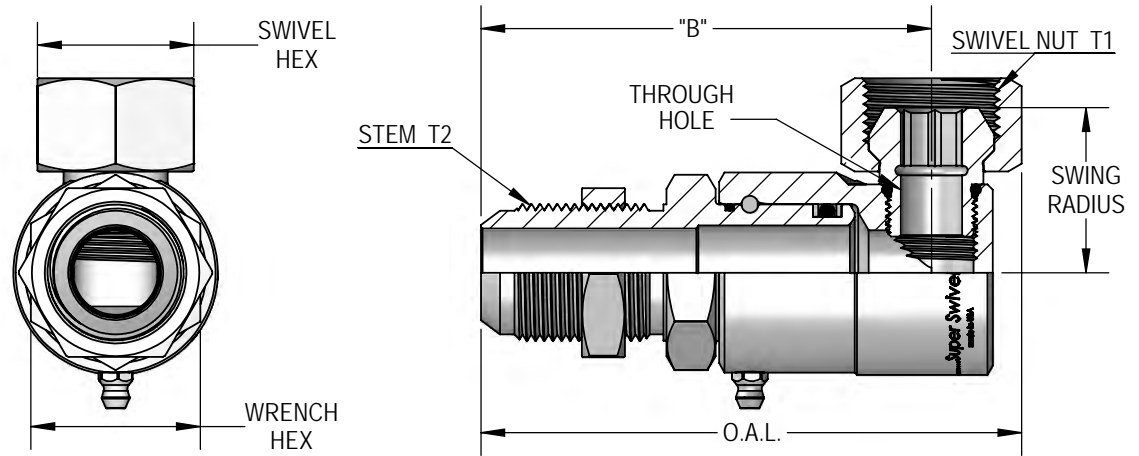
# Male J.I.C. (37°) X Pipe Swivel (N.P.S.M.)



Not Available  
In Stainless Steel!

PART NUMBER	O.A.L.	DIM. B	SWIVEL HEX	WRENCH/HEX	SWIVEL NUT T1	STEM T2	SWG. RADIUS	MAX. P.S.I.G.	THROUGH HOLE
9 SS 4 MJ 4 X PS 25	2.867	2.355	0.687	0.625	1/4-18 N.P.S.M.	7/16-20 U.N.	1.326	3500	0.172
9 SS 4 MJ 6 X PS 25	2.887	2.375	0.687	0.625	1/4-18 N.P.S.M.	9/16-18 U.N.	1.326	3500	0.218
9 SS 4 MJ 6 X PS 38	2.887	2.375	0.875	0.625	3/8-18 N.P.S.M.	9/16-18 U.N.	1.555	3500	0.250
9 SS 8 MJ 8 X PS 38	3.070	2.523	0.875	1.000	3/8-18 N.P.S.M.	3/4-16 U.N.	1.437	3500	0.327
9 SS 8 MJ 8 X PS 50	3.100	2.523	1.000	1.000	1/2-14 N.P.S.M.	3/4-16 U.N.	1.521	3500	0.390
9 SS 8 MJ 10 X PS 50	3.200	2.623	1.000	1.000	1/2-14 N.P.S.M.	7/8-14 U.N.	1.521	3500	0.390
9 SS 12 MJ 12 X PS 75	3.606	2.885	1.250	1.125	3/4-14 N.P.S.M.	11/16-12 U.N.	1.664	3500	0.521
9 SS 16 MJ 16 X PS 100	4.348	3.482	1.500	1.375	1-11 1/2 N.P.S.M.	15/16-12 U.N.	1.956	3500	0.590

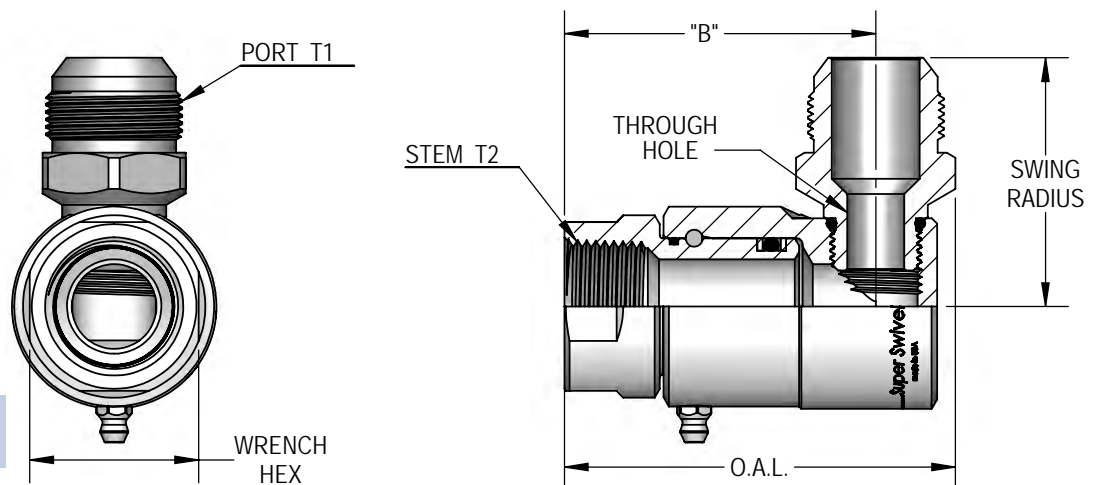
# Male J.I.C. Bulkhead (37°) X Pipe Swivel (N.P.S.M.)



Not Available  
In Stainless Steel!

PART NUMBER	O.A.L.	DIM. B	SWIVEL HEX	WRENCH/HEX	SWIVEL NUT T1	STEM T2	SWG. RADIUS	MAX. P.S.I.G.	THROUGH HOLE
9 SS 4 MJB 6 X PS 25	3.500	2.990	0.688	0.812	1/4-18 N.P.S.M.	9/16-18 U.N.	1.350	3500	0.250
9 SS 8 MJB 8 X PS 38	3.805	3.258	0.875	1.000	3/8-18 N.P.S.M.	3/4-16 U.N.	1.437	3500	0.327
9 SS 8 MJB 8 X PS 50	3.835	3.258	1.000	1.000	1/2-14 N.P.S.M.	3/4-16 U.N.	1.521	3500	0.327
9 SS 8 MJB 10 X PS 50	4.055	3.478	1.000	1.125	1/2-14 N.P.S.M.	7/8-14 U.N.	1.521	3500	0.390
9 SS 12 MJB 12 X PS 75	4.526	3.805	1.250	1.375	3/4-14 N.P.S.M.	1 1/16-12 U.N.	1.664	3500	0.521
9 SS 16 MJB 16 X PS 100	5.182	4.317	1.500	1.625	1-11 1/2 N.P.S.M.	1 5/16-12 U.N.	1.956	3500	0.590
9 SS 20 MJB 20 X PS 125	5.812	4.730	1.875	1.875	1 1/4-11 1/2 N.P.S.M.	1 5/8-12 U.N.	2.570	3500	0.906

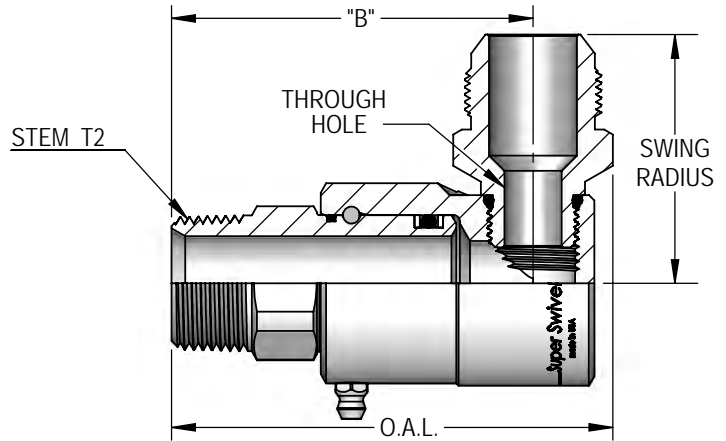
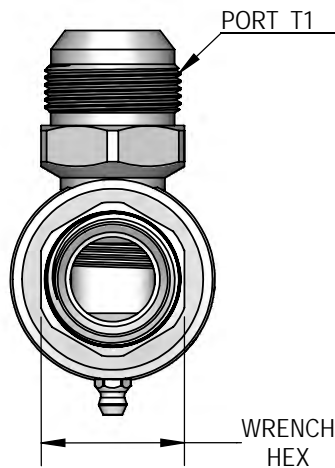
# Female Pipe (N.P.T.F.) X Male J.I.C. (37°)



Not Available  
In Stainless Steel!

PART NUMBER	O.A.L.	DIM. B	WRENCH/HEX	PORT T1	STEM T2	SWG. RADIUS	MAX. P.S.I.G.	THROUGH HOLE
9 SS 4 FP 25 X MJ 4	2.510	2.000	0.750	7/16-20 U.N.	1/4-18 N.P.T.F.	1.454	3500	0.170
9 SS 4 FP 25 X MJ 6	2.510	2.000	0.750	9/16-18 U.N.	1/4-18 N.P.T.F.	1.454	3500	0.250
9 SS 8 FP 38 X MJ 6	2.670	2.120	0.875	9/16-18 U.N.	3/8-18 N.P.T.F.	1.581	3500	0.290
9 SS 8 FP 38 X MJ 8	2.670	2.120	0.875	3/4-16 U.N.	3/8-18 N.P.T.F.	1.712	3500	0.297
9 SS 8 FP 50 X MJ 8	2.850	2.270	1.125	3/4-16 U.N.	1/2-14 N.P.T.F.	1.712	3500	0.297
9 SS 8 FP 50 X MJ 10	2.880	2.270	1.125	7/8-14 U.N.	1/2-14 N.P.T.F.	1.978	3500	0.297
9 SS 12 FP 75 X MJ 12	3.000	2.360	1.375	1 1/16-12 U.N.	3/4-14 N.P.T.F.	2.288	3500	0.385
9 SS 16 FP 100 X MJ 16	3.730	2.980	1.625	1 5/16-12 U.N.	1-11 1/2 N.P.T.F.	2.384	3500	0.550
9 SS 20 FP 125 X MJ 20	4.300	3.285	2.000	1 5/8-12 U.N.	1 1/4-11 1/2 N.P.T.F.	2.970	3500	0.827

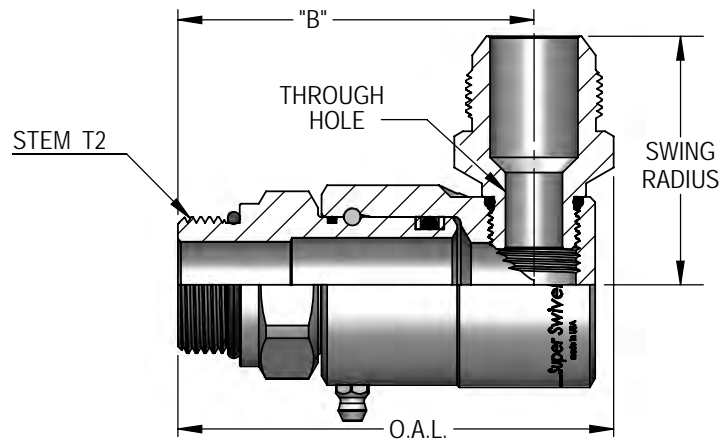
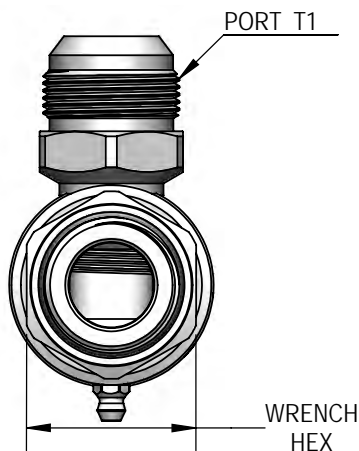
# Male Pipe (N.P.T.F.) X Male J.I.C. (37°)



Not Available  
In Stainless Steel!

PART NUMBER	O.A.L.	DIM. B	WRENCH/HEX	PORT T1	STEM T2	SWG. RADIUS	MAX. P.S.I.G.	THROUGH HOLE
9 SS 4 MP 25 X MJ 4	2.640	2.130	0.625	7/16-20 U.N.	1/4-18 N.P.T.F.	1.454	3500	0.170
9 SS 4 MP 25 X MJ 6	2.640	2.130	0.625	9/16-18 U.N.	1/4-18 N.P.T.F.	1.454	3500	0.250
9 SS 4 MP 38 X MJ 6	2.720	2.210	0.750	9/16-18 U.N.	3/8-18 N.P.T.F.	1.454	3500	0.250
9 SS 8 MP 38 X MJ 8	3.095	2.548	1.000	3/4-16 U.N.	3/8-18 N.P.T.F.	1.712	3500	0.297
9 SS 8 MP 50 X MJ 8	3.170	2.620	1.000	3/4-16 U.N.	1/2-14 N.P.T.F.	1.712	3500	0.297
9 SS 8 MP 50 X MJ 10	3.220	2.673	1.000	7/8-14 U.N.	1/2-14 N.P.T.F.	1.978	3500	0.297
9 SS 12 MP 75 X MJ 12	3.409	2.760	1.125	1 1/16-12 U.N.	3/4-14 N.P.T.F.	2.235	3500	0.385
9 SS 16 MP 100 X MJ 16	4.255	3.462	1.375	1 5/16-12 U.N.	1-11 1/2 N.P.T.F.	2.384	3500	0.550
9 SS 20 MP 125 X MJ 20	4.805	3.795	1.750	1 5/8-12 U.N.	1 1/4-11 1/2 N.P.T.F.	2.970	3500	0.827
9 SS 24 MP 150 X MJ 24	5.740	4.620	2.000	1 7/8-12 U. N.	1 1/2-11 1/2 N.P.T.F.	3.097	3500	0.944

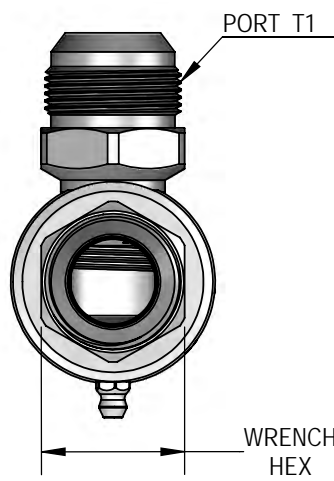
# Male O-Ring (O.R.B.) X Male J.I.C. (37°)



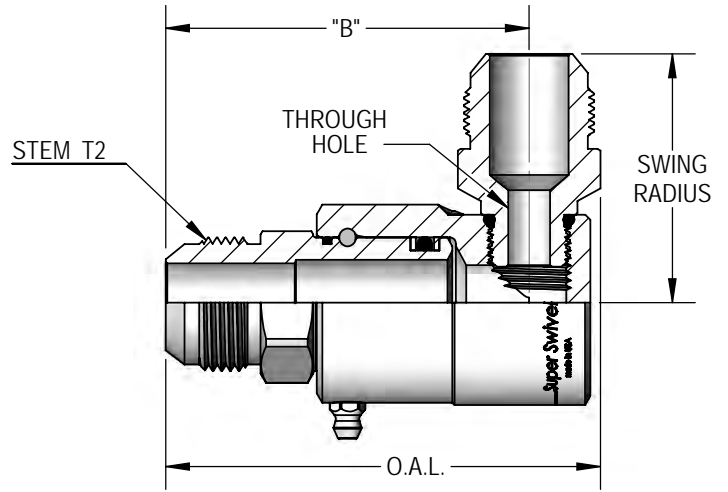
Not Available  
In Stainless Steel!

PART NUMBER	O.A.L.	DIM. B	WRENCH/HEX	PORT T1	STEM T2	SWG. RADIUS	MAX. P.S.I.G.	THROUGH HOLE
9 SS 4 MO 4 X MJ 4	2.727	2.215	0.625	7/16-20 U.N.	7/16-20 U.N.	1.454	3500	0.172
9 SS 4 MO 6 X MJ 6	2.727	2.215	0.750	9/16-18 U.N.	9/16-18 U.N.	1.454	3500	0.250
9 SS 8 MO 8 X MJ 8	2.923	2.376	1.000	3/4-16 U.N.	3/4-16 U.N.	1.712	3500	0.297
9 SS 8 MO 10 X MJ 10	3.075	2.498	1.000	7/8-14 U.N.	7/8-14 U.N.	1.978	3500	0.297
9 SS 12 MO 12 X MJ 12	3.398	2.749	1.375	1 1/16-12 U.N.	1 1/16-12 U.N.	2.288	3500	0.385
9 SS 16 MO 16 X MJ 16	4.204	3.411	1.625	1 5/16-12 U.N.	1 5/16-12 U.N.	2.384	3500	0.550

# Male J.I.C. (37°) X Male J.I.C. (37°)

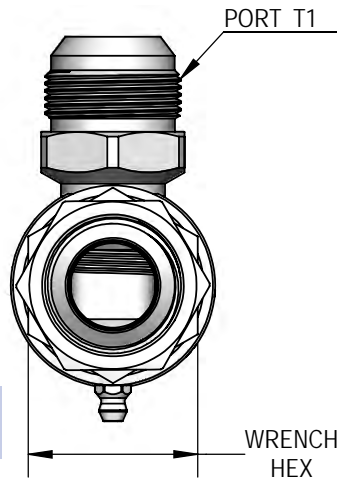


Not Available  
In Stainless Steel!

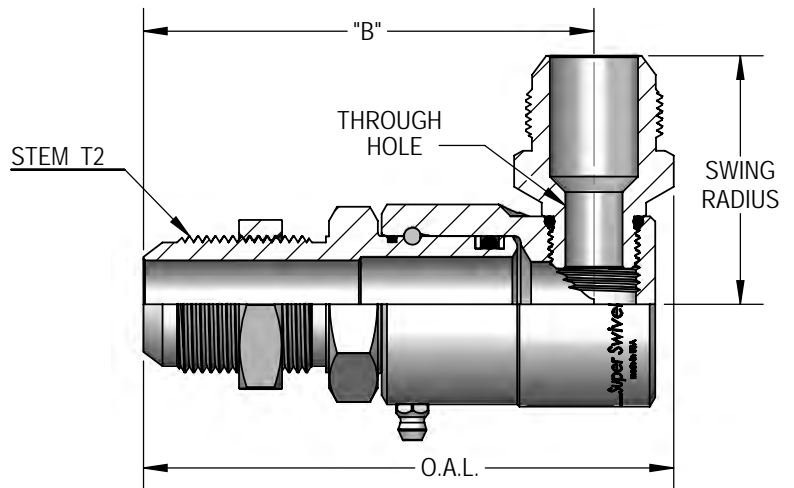


PART NUMBER	O.A.L.	DIM. B	WRENCH/HEX	PORT T1	STEM T2	SWG. RADIUS	MAX. P.S.I.G.	THROUGH HOLE
9 SS 4 MJ 4 X MJ 4	2.837	2.325	0.625	7/16-20 U.N.	7/16-20 U.N.	1.454	3500	0.172
9 SS 4 MJ 6 X MJ 6	2.857	2.345	0.625	9/16-18 U.N.	9/16-18 U.N.	1.454	3500	0.250
9 SS 8 MJ 8 X MJ 8	3.070	2.523	1.000	3/4-16 U.N.	3/4-16 U.N.	1.712	3500	0.297
9 SS 8 MJ 10 X MJ 10	3.200	2.623	1.000	7/8-14 U.N.	7/8-14 U.N.	1.978	3500	0.297
9 SS 12 MJ 12 X MJ 12	3.534	2.885	1.125	1 1/16-12 U.N.	1 1/16-12 U.N.	2.288	3500	0.385
9 SS 16 MJ 16 X MJ 16	4.275	3.482	1.375	1 5/16-12 U.N.	1 5/16-12 U.N.	2.384	3500	0.550
9 SS 20 MJ 20 X MJ 20	4.845	3.835	1.750	1 5/8-12 U.N.	1 5/8-12 U.N.	2.970	3500	0.827
9 SS 24 MJ 24 X MJ 24	5.840	4.710	2.000	1 7/8-12 U.N.	1 7/8-12 U.N.	3.097	3500	0.944

# Male J.I.C. Bulkhead (37°) X Male J.I.C. (37°)

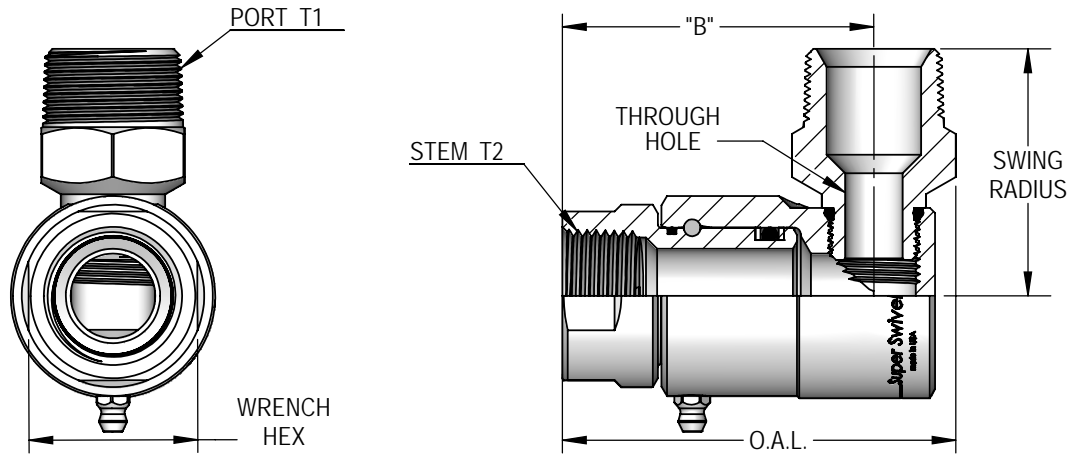


Not Available  
In Stainless Steel!



PART NUMBER	O.A.L.	DIM. B	WRENCH/HEX	PORT T1	STEM T2	SWG. RADIUS	MAX. P.S.I.G.	THROUGH HOLE
9 SS 4 MJB 6 X MJ 6	3.500	2.987	0.812	9/16-18 U.N.	9/16-18 U.N.	1.478	3500	0.250
9 SS 8 MJB 8 X MJ 8	3.805	3.258	1.000	3/4-16 U.N.	3/4-16 U.N.	1.712	3500	0.297
9 SS 8 MJB 10 X MJ 10	4.055	3.478	1.125	7/8-14 U.N.	7/8-14 U.N.	1.978	3500	0.297
9 SS 12 MJB 12 X MJ 12	4.454	3.805	1.375	1 1/16-12 U.N.	1 1/16-12 U.N.	2.288	3500	0.385
9 SS 16 MJB 16 X MJ 16	5.110	4.317	1.625	1 5/16-12 U.N.	1 5/16-12 U.N.	2.384	3500	0.550

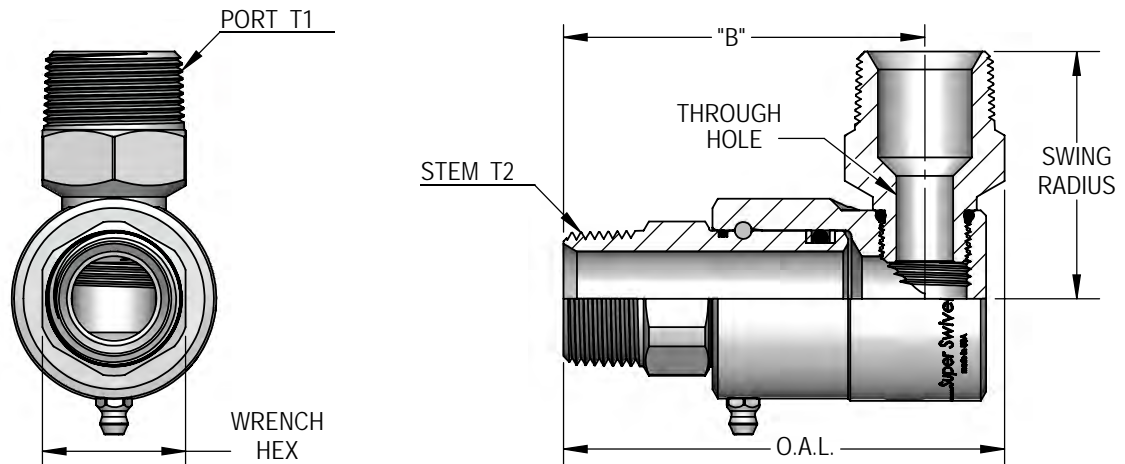
# Female Pipe (N.P.T.F.) X Male Pipe (N.P.T.F.)



Not Available  
In Stainless Steel!

PART NUMBER	O.A.L.	DIM. B	WRENCH/HEX	PORT T1	STEM T2	SWG. RADIUS	MAX. P.S.I.G.	THROUGH HOLE
9 SS 4 FP 25 X MP 25	2.510	2.000	0.750	1/4-18 N.P.T.F.	1/4-18 N.P.T.F.	1.440	3500	0.250
9 SS 8 FP 38 X MP 38	2.670	2.120	0.875	3/8-18 N.P.T.F.	3/8-18 N.P.T.F.	1.440	3500	0.297
9 SS 8 FP 38 X MP 50	2.670	2.120	0.875	1/2-14 N.P.T.F.	3/8-18 N.P.T.F.	1.440	3500	0.297
9 SS 8 FP 50 X MP 38	2.850	2.270	1.125	3/8-18 N.P.T.F.	1/2-14 N.P.T.F.	1.556	3500	0.297
9 SS 8 FP 50 X MP 50	2.850	2.270	1.125	1/2-14 N.P.T.F.	1/2-14 N.P.T.F.	1.848	3500	0.297
9 SS 12 FP 75 X MP 75	3.000	2.360	1.375	3/4-14 N.P.T.F.	3/4-14 N.P.T.F.	1.998	3500	0.484
9 SS 16 FP 100 X MP 100	3.780	3.020	1.625	1-11 <sup>1</sup> / <sub>2</sub> N.P.T.F.	1-11 <sup>1</sup> / <sub>2</sub> N.P.T.F.	2.370	3500	0.550
9 SS 20 FP 125 X MP 125	4.300	3.285	2.000	1 <sup>1</sup> / <sub>4</sub> -11 <sup>1</sup> / <sub>2</sub> N.P.T.F.	1 <sup>1</sup> / <sub>4</sub> -11 <sup>1</sup> / <sub>2</sub> N.P.T.F.	2.987	3500	0.827
9 SS 24 FP 150 X MP 150	5.190	4.040	2.375	1 <sup>1</sup> / <sub>2</sub> -11 <sup>1</sup> / <sub>2</sub> N.P.T.F.	1 <sup>1</sup> / <sub>2</sub> -11 <sup>1</sup> / <sub>2</sub> N.P.T.F.	3.050	3500	0.944

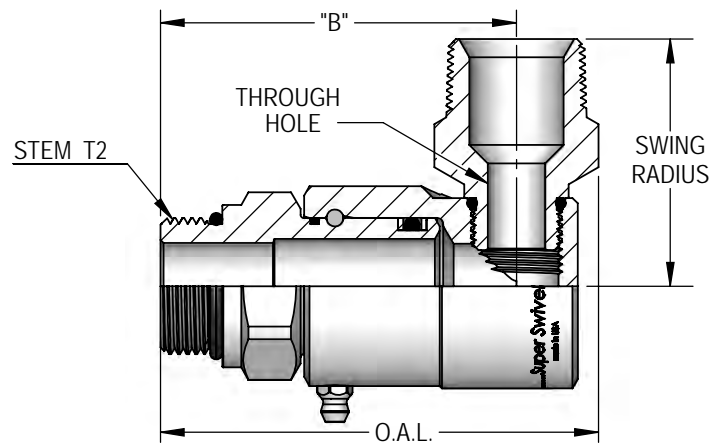
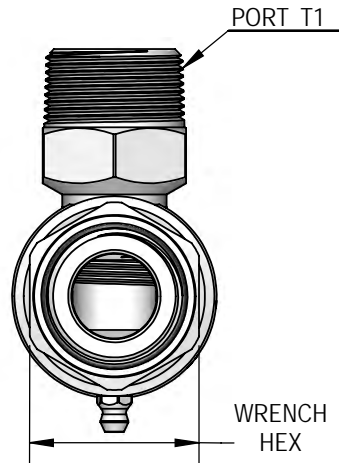
# Male Pipe (N.P.T.F.) X Male Pipe (N.P.T.F.)



Not Available  
In Stainless Steel!

PART NUMBER	O.A.L.	DIM. B	WRENCH/HEX	PORT T1	STEM T2	SWG. RADIUS	MAX. P.S.I.G.	THROUGH HOLE
9 SS 4 MP 25 X MP 25	2.640	2.130	0.625	1/4-18 N.P.T.F.	1/4-18 N.P.T.F.	1.440	3500	0.250
9 SS 4 MP 25 X MP 38	2.640	2.130	0.625	3/8-18 N.P.T.F.	1/4-18 N.P.T.F.	1.440	3500	0.297
9 SS 4 MP 38 X MP 38	2.720	2.200	0.750	3/8-18 N.P.T.F.	3/8-18 N.P.T.F.	1.440	3500	0.297
9 SS 8 MP 38 X MP 38	3.095	2.548	1.000	3/8-18 N.P.T.F.	3/8-18 N.P.T.F.	1.556	3500	0.297
9 SS 8 MP 38 X MP 50	3.095	2.548	1.000	1/2-14 N.P.T.F.	3/8-18 N.P.T.F.	1.848	3500	0.297
9 SS 8 MP 50 X MP 38	3.190	2.620	1.000	3/8-18 N.P.T.F.	1/2-14 N.P.T.F.	1.556	3500	0.297
9 SS 8 MP 50 X MP 50	3.190	2.620	1.000	1/2-14 N.P.T.F.	1/2-14 N.P.T.F.	1.848	3500	0.297
9 SS 12 MP 75 X MP 75	3.400	2.760	1.125	3/4-14 N.P.T.F.	3/4-14 N.P.T.F.	1.998	3500	0.484
9 SS 16 MP 100 X MP 100	4.225	3.462	1.375	1-11 <sup>1</sup> / <sub>2</sub> N.P.T.F.	1-11 <sup>1</sup> / <sub>2</sub> N.P.T.F.	2.370	3500	0.550

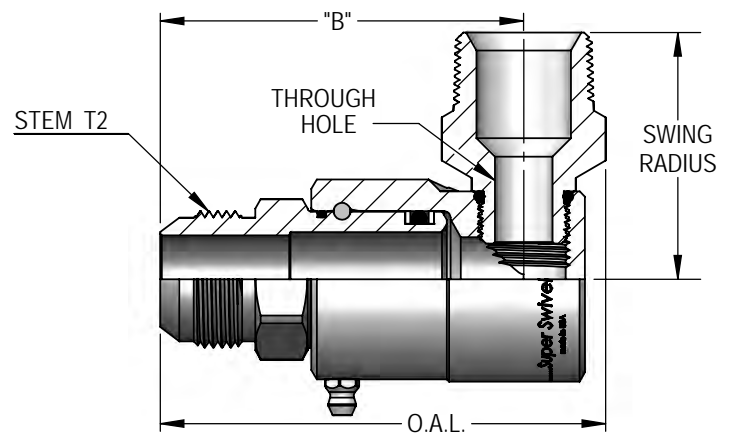
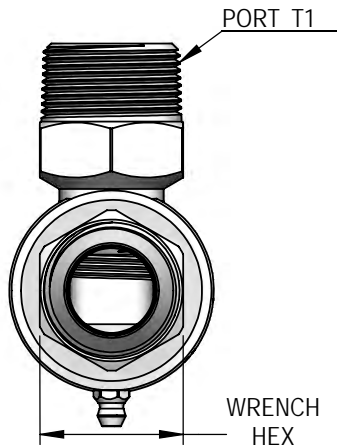
# Male O-Ring (O.R.B.) X Male Pipe (N.P.T.F.)



Not Available  
In Stainless Steel!

PART NUMBER	O.A.L.	DIM. B	WRENCH/HEX	PORT T1	STEM T2	SWG. RADIUS	MAX. P.S.I.G.	THROUGH HOLE
9 SS 4 MO 4 X MP 25	2.727	2.215	0.625	1/4-18 N.P.T.F.	7/16-20 U.N.	1.440	3500	0.172
9 SS 4 MO 6 X MP 25	2.727	2.215	0.750	1/4-18 N.P.T.F.	9/16-18 U.N.	1.440	3500	0.250
9 SS 4 MO 6 X MP 38	2.727	2.215	0.750	3/8-18 N.P.T.F.	9/16-18 U.N.	1.440	3500	0.297
9 SS 8 MO 8 X MP 38	2.923	2.376	1.000	3/8-18 N.P.T.F.	3/4-16 U.N.	1.556	3500	0.297
9 SS 8 MO 8 X MP 50	2.923	2.376	1.000	1/2-14 N.P.T.F.	3/4-16 U.N.	1.848	3500	0.297
9 SS 8 MO 10 X MP 38	3.045	2.498	1.000	3/8-18 N.P.T.F.	7/8-14 U.N.	1.556	3500	0.297
9 SS 8 MO 10 X MP 50	3.045	2.498	1.000	1/2-14 N.P.T.F.	7/8-14 U.N.	1.848	3500	0.297
9 SS 12 MO 12 X MP 75	3.389	2.749	1.375	3/4-14 N.P.T.F.	1 1/16-12 U.N.	1.998	3500	0.484
9 SS 16 MO 16 X MP 100	4.210	3.411	1.625	1-11 1/2 N.P.T.F.	1 5/16-12 U.N.	2.370	3500	0.550
9 SS 20 MO 20 X MP 125	4.477	3.755	1.875	1 1/4-11 1/2 N.P.T.F.	1 5/8-12 U.N.	2.987	3500	0.827
9 SS 24 MO 24 X MP 150	5.690	4.540	2.125	1 1/2-11 1/2 N.P.T.F.	1 7/8-12 U.N.	3.050	3500	0.944

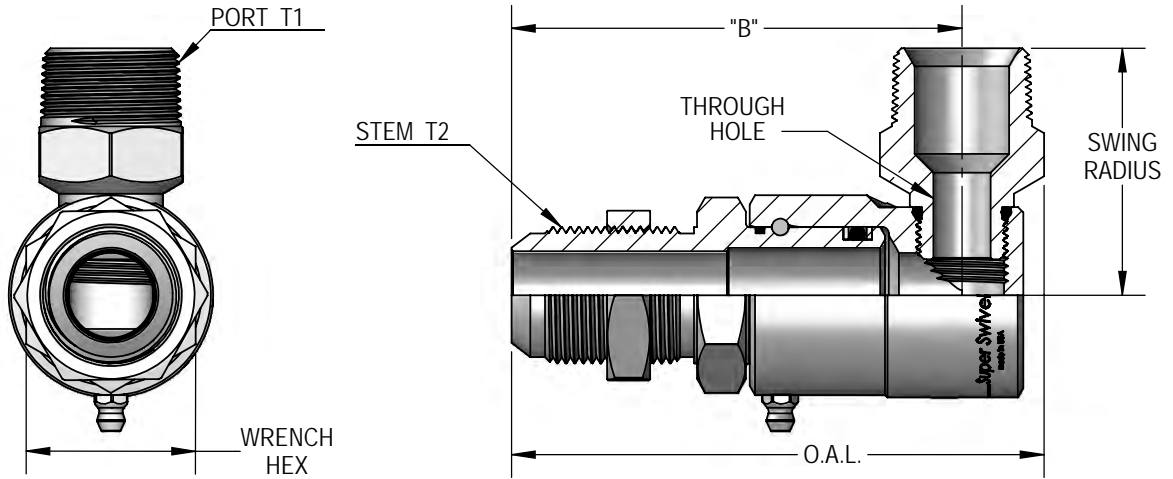
# Male J.I.C. (37°) X Male Pipe (N.P.T.F.)



Not Available  
In Stainless Steel!

PART NUMBER	O.A.L.	DIM. B	WRENCH/HEX	PORT T1	STEM T2	SWG. RADIUS	MAX. P.S.I.G.	THROUGH HOLE
9 SS 4 MJ 4 X MP 25	2.837	2.325	0.625	1/4-18 N.P.T.F.	7/16-20 U.N.	1.440	3500	0.172
9 SS 4 MJ 6 X MP 25	2.857	2.345	0.625	1/4-18 N.P.T.F.	9/16-18 U.N.	1.440	3500	0.250
9 SS 4 MJ 6 X MP 38	2.857	2.345	0.625	3/8-18 N.P.T.F.	9/16-18 U.N.	1.440	3500	0.250
9 SS 8 MJ 8 X MP 38	3.060	2.513	1.000	3/8-18 N.P.T.F.	3/4-16 U.N.	1.556	3500	0.297
9 SS 8 MJ 8 X MP 50	3.060	2.513	1.000	1/2-14 N.P.T.F.	3/4-16 U.N.	1.848	3500	0.297
9 SS 8 MJ 10 X MP 38	3.160	2.613	1.000	3/8-18 N.P.T.F.	7/8-14 U.N.	1.556	3500	0.250
9 SS 8 MJ 10 X MP 50	3.160	2.613	1.000	1/2-14 N.P.T.F.	7/8-14 U.N.	1.848	3500	0.297
9 SS 12 MJ 12 X MP 75	3.525	2.885	1.125	3/4-14 N.P.T.F.	1 1/16-12 U.N.	1.998	3500	0.484
9 SS 16 MJ 16 X MP 100	4.290	3.482	1.375	1-11 1/2 N.P.T.F.	1 5/16-12 U.N.	2.370	3500	0.550

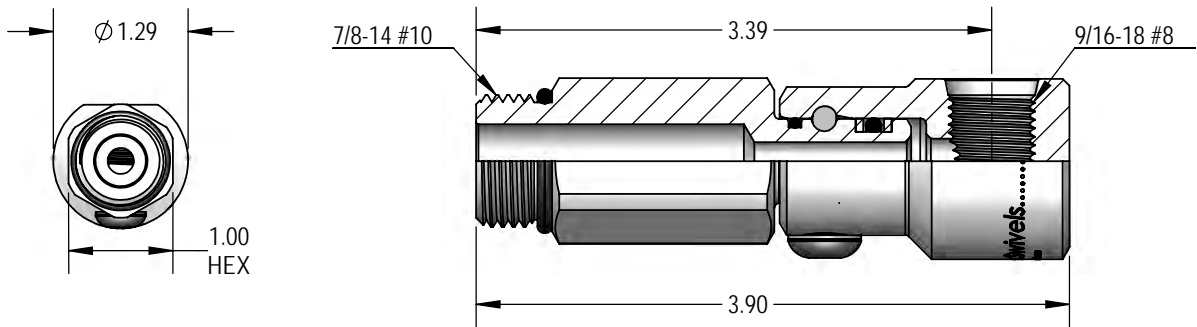
# Male J.I.C. Bulkhead (37°) X Male Pipe (N.P.T.F.)



Not Available  
In Stainless Steel!

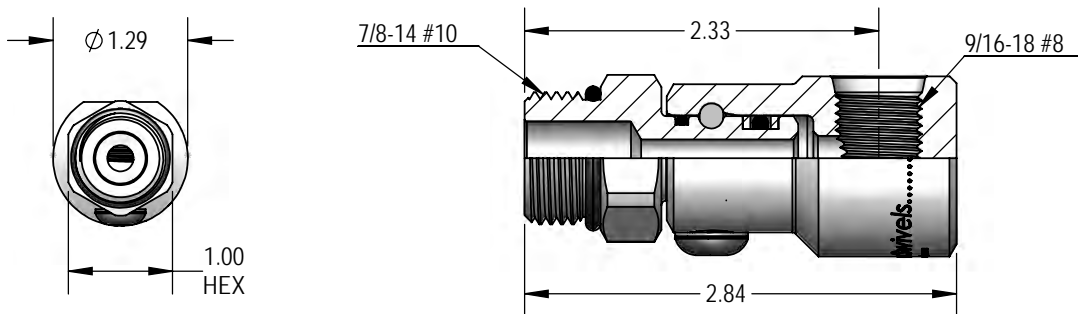
PART NUMBER	O.A.L.	DIM. B	WRENCH/HEX	PORT T1	STEM T2	SWG. RADIUS	MAX. P.S.I.G.	THROUGH HOLE
9 SS 4 MJB 6 X MP 25	2.837	2.370	0.812	1/4-18 N.P.T.F.	9/16-18 U.N.	1.454	3500	0.250
9 SS 8 MJB 8 X MP 38	3.805	3.258	1.000	3/8-18 N.P.T.F.	3/4-16 U.N.	1.556	3500	0.297
9 SS 8 MJB 8 X MP 50	3.805	3.258	1.000	1/2-14 N.P.T.F.	3/4-16 U.N.	1.848	3500	0.297
9 SS 8 MJB 10 X MP 50	4.025	3.478	1.125	1/2-14 N.P.T.F.	7/8-14 U.N.	1.848	3500	0.297
9 SS 12 MJB 12 X MP 75	4.445	3.805	1.375	3/4-14 N.P.T.F.	1 1/16-12 U.N.	1.998	3500	0.484
9 SS 16 MJB 16 X MP 100	4.905	4.317	1.625	1-11 1/2 N.P.T.F.	1 5/16-12 U.N.	2.370	3500	0.550
9 SS 20 MJB 20 X MP 125	5.575	4.730	1.875	1 1/4-11 1/2 N.P.T.F.	1 5/8-12 U.N.	2.987	3500	0.827

## Wheel Motor Swivels

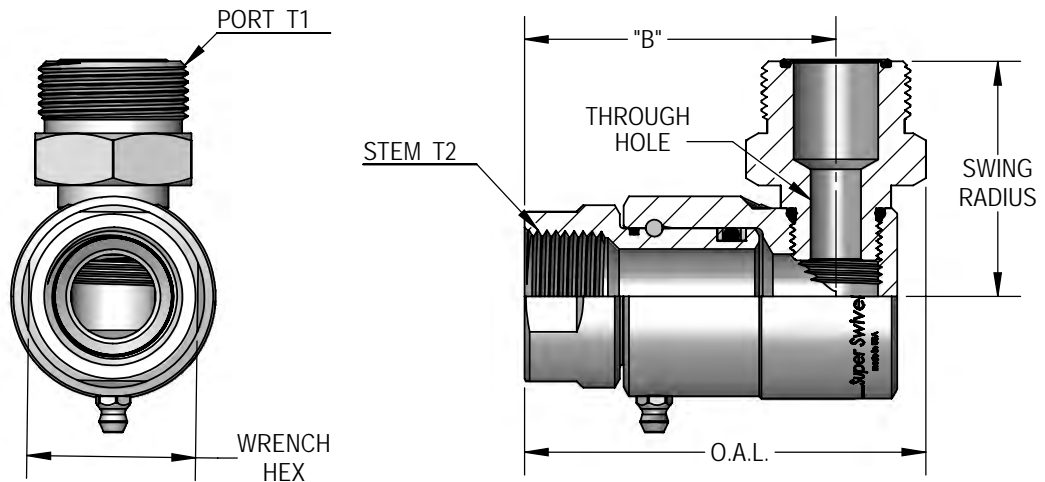


**9 SS 4 MO 10 X FO 6 - 001 - Z - V**

Not Available  
In Stainless Steel!



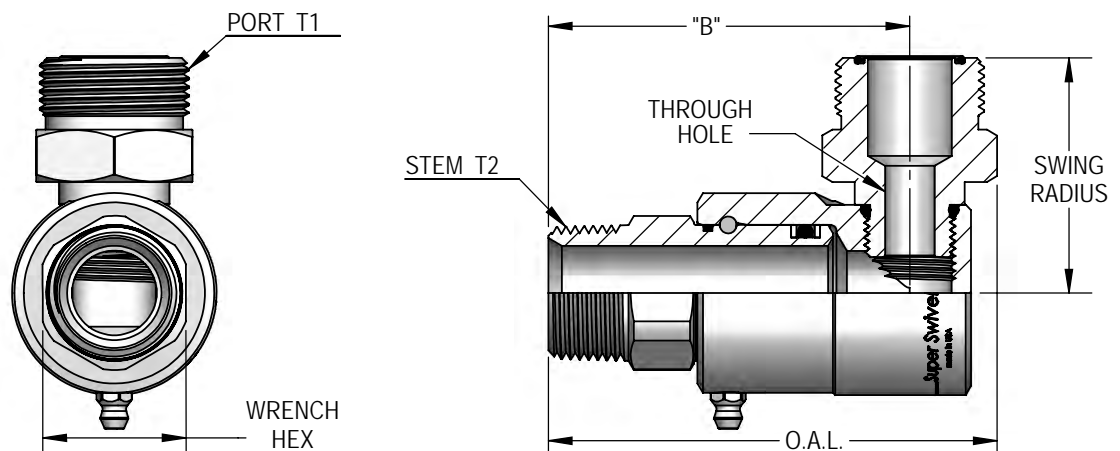
# Female Pipe (N.P.T.F.) X Male Face Seal (M.F.S.)



Not Available  
In Stainless Steel!

PART NUMBER	O.A.L.	DIM. B	WRENCH/HEX	PORT T1	STEM T2	SWG. RADIUS	MAX. P.S.I.G.	THROUGH HOLE
9 SS 4 FP 25 X MFS 6	2.510	2.000	0.750	11/16-16 U.N.	1/4-18 N.P.T.F.	1.314	5000	0.265
9 SS 8 FP 38 X MFS 6	2.670	2.120	0.875	11/16-16 U.N.	3/8-18 N.P.T.F.	1.432	5000	0.265
9 SS 8 FP 38 X MFS 8	2.670	2.120	0.875	13/16-16 U.N.	3/8-18 N.P.T.F.	1.669	5000	0.265
9 SS 8 FP 50 X MFS 8	2.850	2.270	1.125	13/16-16 U.N.	1/2-14 N.P.T.F.	1.669	5000	0.265
9 SS 8 FP 50 X MFS 10	2.850	2.270	1.125	1-14 U.N.	1/2-14 N.P.T.F.	1.826	5000	0.265
9 SS 12 FP 75 X MFS 12	3.000	2.360	1.375	13/16-12 U.N.	3/4-14 N.P.T.F.	2.089	4500	0.389
9 SS 16 FP 100 X MFS 16	3.860	2.980	1.625	17/16-12 U.N.	1-11 1/2 N.P.T.F.	2.255	4000	0.484
9 SS 20 FP 125 X MFS 20	4.300	3.285	2.000	11 1/16-12 U.N.	1 1/4-11 1/2 N.P.T.F.	2.658	4000	0.718
9 SS 24 FP 150 X MFS 24	5.260	4.040	2.370	2-12 U.N.	1 1/2-11 1/2 N.P.T.F.	2.904	4000	0.844

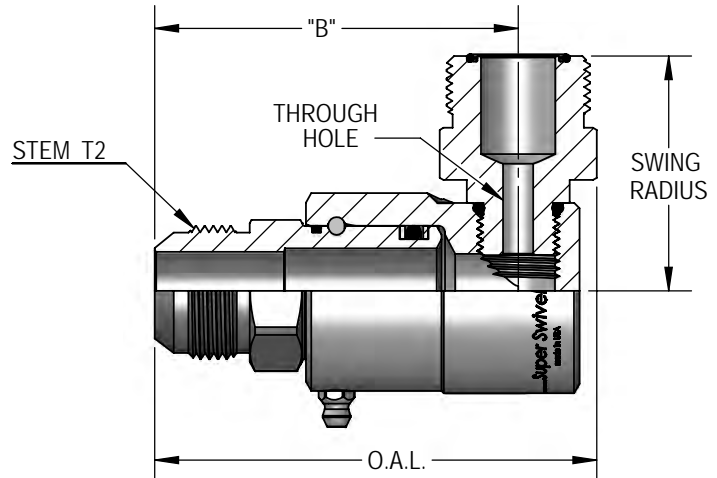
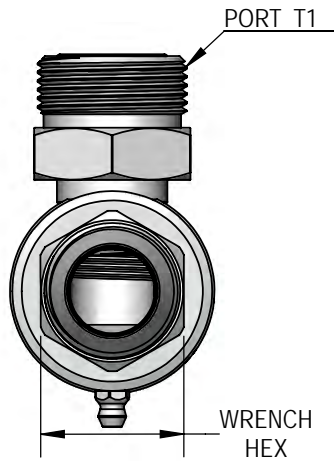
# Male Pipe (N.P.T.F.) X Male Face Seal (M.F.S.)



Not Available  
In Stainless Steel!

PART NUMBER	O.A.L.	DIM. B	WRENCH/HEX	PORT T1	STEM T2	SWG. RADIUS	MAX. P.S.I.G.	THROUGH HOLE
9 SS 4 MP 25 X MFS 6	2.640	2.130	0.625	11/16-16 U.N.	1/4-18 N.P.T.F.	1.314	5000	0.265
9 SS 4 MP 38 X MFS 6	2.720	2.210	0.750	11/16-16 U.N.	3/8-18 N.P.T.F.	1.314	5000	0.265
9 SS 8 MP 38 X MFS 6	2.670	2.125	1.000	11/16-16 U.N.	3/8-18 N.P.T.F.	1.432	5000	0.265
9 SS 8 MP 38 X MFS 8	2.670	2.125	1.000	13/16-16 U.N.	3/8-18 N.P.T.F.	1.669	5000	0.265
9 SS 8 MP 50 X MFS 8	3.170	2.620	1.000	13/16-16 U.N.	1/2-14 N.P.T.F.	1.669	5000	0.265
9 SS 8 MP 50 X MFS 10	3.170	2.620	1.000	1-14 U.N.	1/2-14 N.P.T.F.	1.826	5000	0.265
9 SS 12 MP 75 X MFS 12	3.400	2.760	1.125	13/16-12 U.N.	3/4-14 N.P.T.F.	2.089	4500	0.389
9 SS 16 MP 100 X MFS 16	4.320	3.462	1.375	17/16-12 U.N.	1-11 1/2 N.P.T.F.	2.255	4000	0.484

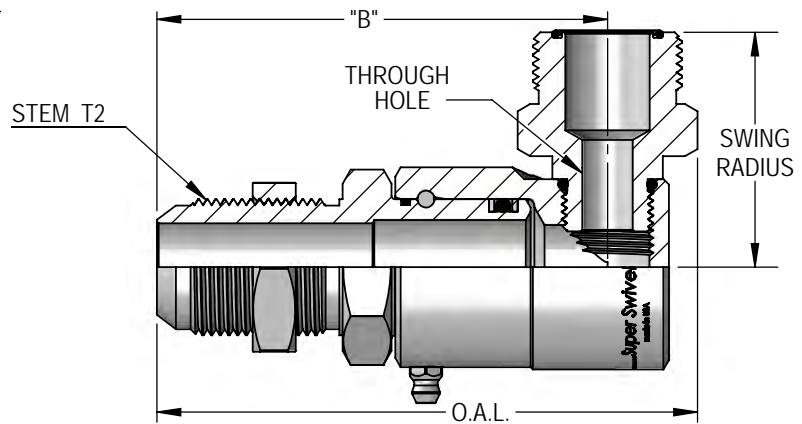
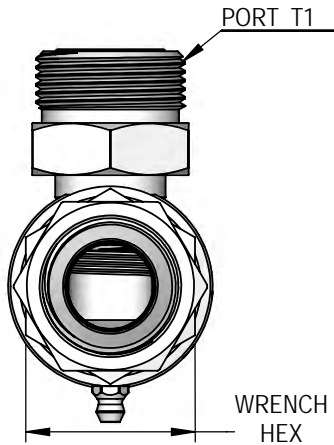
# Male J.I.C. (37°) X Male Face Seal (M.F.S.)



Not Available  
In Stainless Steel!

PART NUMBER	O.A.L.	DIM. B	WRENCH/HEX	PORT T1	STEM T2	SWG. RADIUS	MAX. P.S.I.G.	THROUGH HOLE
9 SS 4 MJ 4 X MFS 4	2.837	2.325	0.625	9/16-18 U.N.	7/16-20 U.N.	1.266	5000	0.172
9 SS 4 MJ 6 X MFS 6	2.857	2.345	0.625	11/16-16 U.N.	9/16-18 U.N.	1.314	5000	0.265
9 SS 8 MJ 8 X MFS 6	3.070	2.523	1.000	11/16-16 U.N.	3/4-16 U.N.	1.432	5000	0.265
9 SS 8 MJ 8 X MFS 8	3.070	2.523	1.000	13/16-16 U.N.	3/4-16 U.N.	1.669	5000	0.265
9 SS 8 MJ 8 X MFS 10	3.070	2.523	1.000	1-14 U.N.	3/4-16 U.N.	1.826	5000	0.265
9 SS 8 MJ 10 X MFS 8	3.160	2.613	1.000	13/16-16 U.N.	7/8-14 U.N.	1.669	5000	0.265
9 SS 8 MJ 10 X MFS 10	3.160	2.613	1.000	1-14 U.N.	7/8-14 U.N.	1.826	5000	0.265
9 SS 12 MJ 12 X MFS 12	3.525	2.885	1.125	13/16-12 U.N.	11/16-12 U.N.	2.089	4500	0.389
9 SS 16 MJ 16 X MFS 16	4.070	3.482	1.375	17/16-12 U.N.	15/16-12 U.N.	2.255	4000	0.484
9 SS 20 MJ 20 X MFS 20	4.680	3.835	1.750	111/16-12 U.N.	15/8-12 U.N.	2.658	4000	0.718
9 SS 24 MJ 24 X MFS 24	5.930	4.710	2.000	2-12 U.N.	17/8-12 U.N.	2.904	4000	0.844

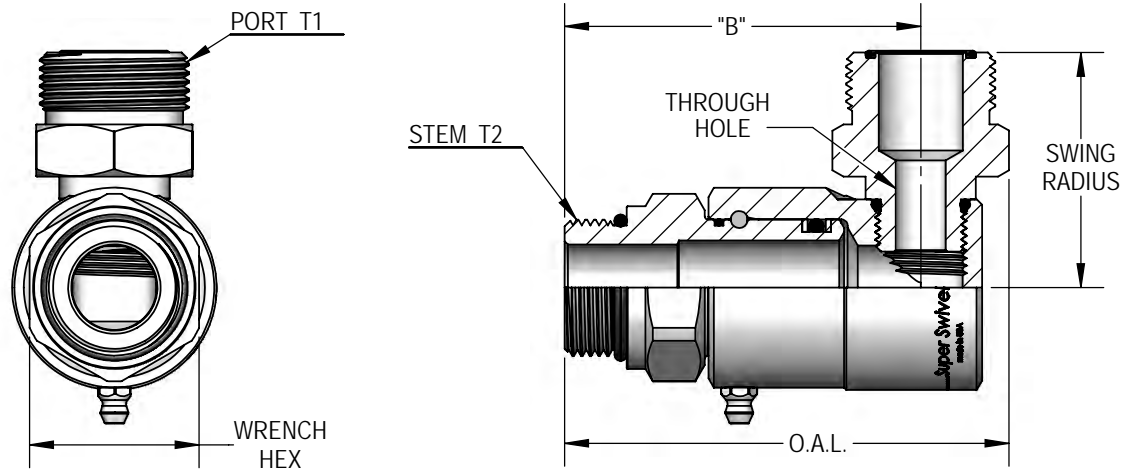
# Male J.I.C. Bulkhead (37°) X Male Face Seal (M.F.S.)



Not Available  
In Stainless Steel!

PART NUMBER	O.A.L.	DIM. B	WRENCH/HEX	PORT T1	STEM T2	SWG. RADIUS	MAX. P.S.I.G.	THROUGH HOLE
9 SS 4 MJB 6 X MFS 6	3.500	2.990	.812	11/16-16 U.N.	9/16-18 U.N.	1.440	5000	0.250
9 SS 8 MJB 8 X MFS 6	3.805	3.258	1.000	11/16-16 U.N.	3/4-16 U.N.	1.432	5000	0.265
9 SS 8 MJB 8 X MFS 8	3.805	3.258	1.000	13/16-16 U.N.	3/4-16 U.N.	1.669	5000	0.265
9 SS 8 MJB 8 X MFS 10	3.805	3.258	1.000	1-14 U.N.	3/4-16 U.N.	1.826	5000	0.265
9 SS 8 MJB 10 X MFS 6	4.025	3.478	1.125	11/16-16 U.N.	7/8-14 U.N.	1.432	5000	0.265
9 SS 8 MJB 10 X MFS 8	4.025	3.478	1.125	13/16-16 U.N.	7/8-14 U.N.	1.669	5000	0.265
9 SS 8 MJB 10 X MFS 10	4.025	3.478	1.125	1-14 U.N.	7/8-14 U.N.	1.826	5000	0.265
9 SS 12 MJB 12 X MFS 12	4.445	3.805	1.375	13/16-12 U.N.	11/16-12 U.N.	2.089	4500	0.389
9 SS 16 MJB 16 X MFS 16	5.200	4.317	1.625	17/16-12 U.N.	15/8-12 U.N.	2.255	4000	0.484

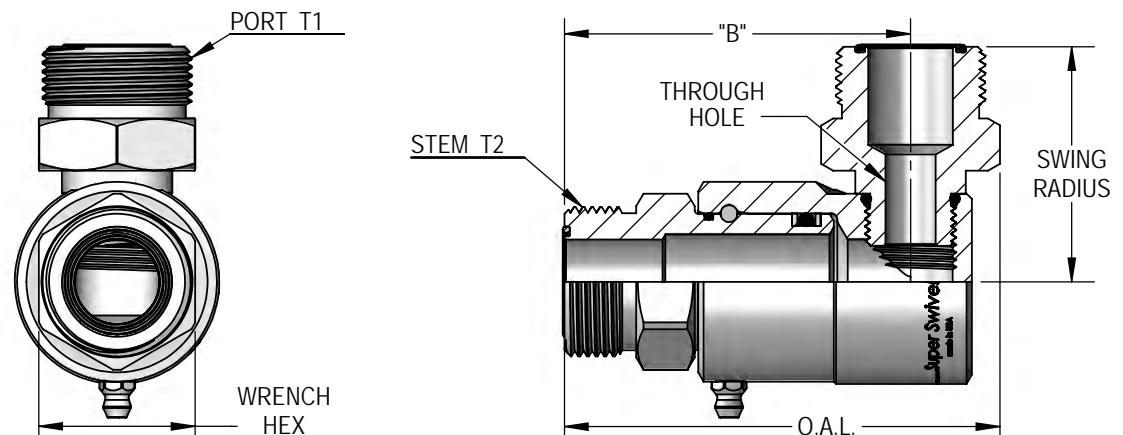
# Male O-Ring (O.R.B.) X Male Face Seal (M.F.S.)



Not Available  
In Stainless Steel!

PART NUMBER	O.A.L.	DIM. B	WRENCH/HEX	PORT T1	STEM T2	SWG. RADIUS	MAX. P.S.I.G.	THROUGH HOLE
9 SS 4 MO 4 X MFS 4	2.727	2.215	0.625	9/16-18 U.N.	7/16-20 U.N.	1.266	5000	0.172
9 SS 4 MO 6 X MFS 6	2.727	2.215	0.750	11/16-16 U.N.	9/16-18 U.N.	1.314	5000	0.265
9 SS 8 MO 8 X MFS 6	2.923	2.376	1.000	11/16-16 U.N.	3/4-16 U.N.	1.432	5000	0.265
9 SS 8 MO 8 X MFS 8	2.923	2.376	1.000	13/16-16 U.N.	3/4-16 U.N.	1.669	5000	0.265
9 SS 8 MO 8 X MFS 10	2.923	2.376	1.000	1-14 U.N.	3/4-16 U.N.	1.826	5000	0.265
9 SS 8 MO 10 X MFS 8	3.045	2.498	1.000	13/16-16 U.N.	7/8-14 U.N.	1.669	5000	0.265
9 SS 8 MO 10 X MFS 10	3.045	2.498	1.000	1-14 U.N.	7/8-14 U.N.	1.826	5000	0.265
9 SS 12 MO 12 X MFS 12	3.389	2.749	1.375	1 3/16-12 U.N.	11/16-12 U.N.	2.089	4500	0.389
9 SS 16 MO 16 X MFS 16	4.270	3.411	1.625	17/16-12 U.N.	15/16-12 U.N.	2.255	4000	0.484
9 SS 20 MO 20 X MFS 20	4.780	3.755	1.875	111/16-12 U.N.	15/8-12 U.N.	2.658	4000	0.718
9 SS 24 MO 24 X MFS 24	5.760	4.540	2.125	2-12 U.N.	17/8-12 U.N.	2.904	4000	0.844

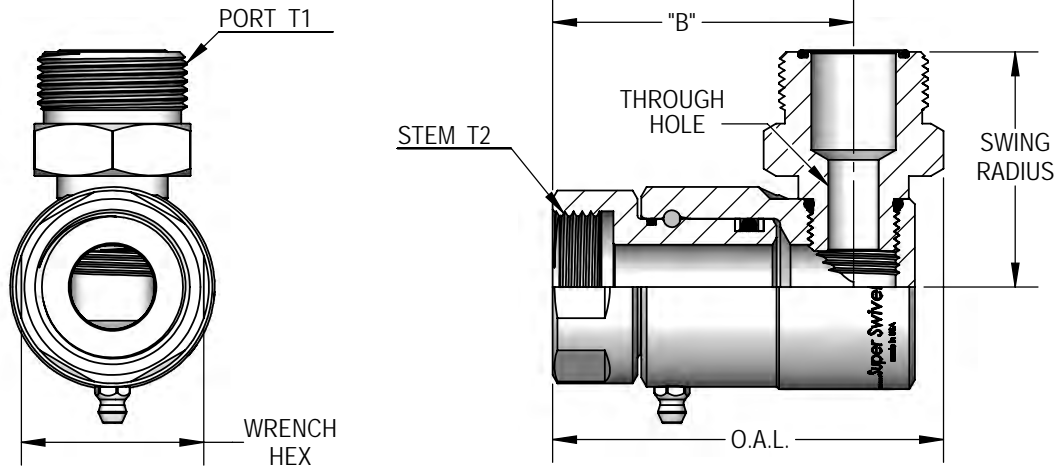
# Male Face Seal (M.F.S.) X Male Face Seal (M.F.S.)



Not Available  
In Stainless Steel!

PART NUMBER	O.A.L.	DIM. B	PORT T1	STEM T2	WRENCH/HEX	SWING RADIUS	MAX P.S.I.G.	THROUGH HOLE
9 SS 4 MFS 6 X MFS 6	2.688	2.176	11/16-16 U.N.	11/16-16 U.N.	0.750	1.450	5000	0.250
9 SS 8 MFS 8 X MFS 8	2.909	2.362	13/16-16 U.N.	13/16-16 U.N.	1.000	1.706	5000	0.264
9 SS 8 MFS 10 X MFS 10	3.105	2.558	1-14 U.N.	1-14 U.N.	1.125	1.826	5000	0.297
9 SS 12 MFS 12 X MFS 12	3.385	2.745	13/16-12 U.N.	13/16-12 U.N.	1.250	2.135	4500	0.378
9 SS 16 MFS 16 X MFS 16	4.190	3.316	17/16-12 U.N.	17/16-12 U.N.	1.500	2.255	4000	0.484
9 SS 20 MFS 20 X MFS 20	4.670	3.649	111/16-16 U.N.	111/16-12 U.N.	1.750	2.658	4000	0.718

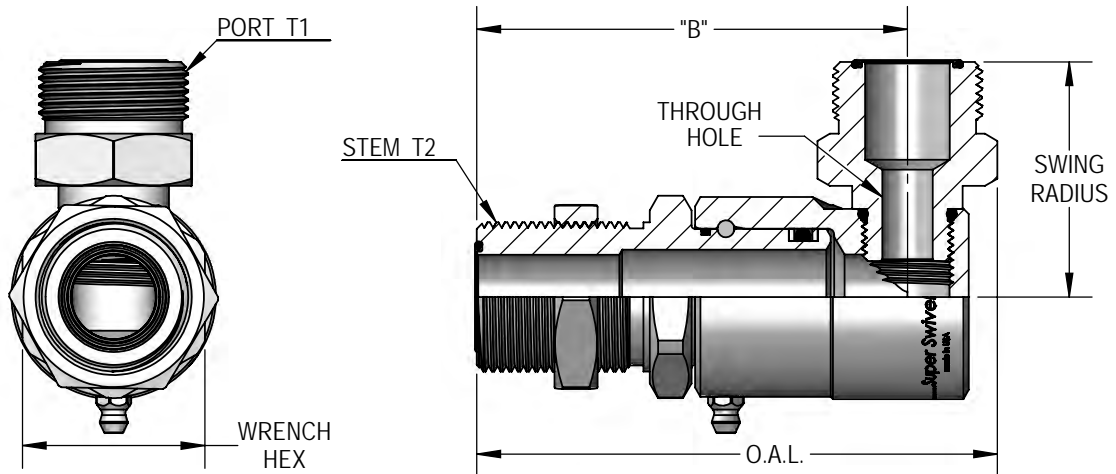
# Female Face Seal (F.F.S.) X Male Face Seal (M.F.S.)



Not Available  
In Stainless Steel!

PART NUMBER	O.A.L.	DIM. B	DIM. C	PORT T1	STEM T2	WRENCH/HEX	SWING RADIUS	MAX P.S.I.G.	THROUGH HOLE
9 SS 4 FFS 6 X MFS 6	2.465	1.950	0.375	11/16-16 U.N.	11/16-16 U.N.	0.875	1.450	5000	0.250
9 SS 8 FFS 8 X MFS 8	2.670	2.120	0.433	13/16-16 U.N.	13/16-16 U.N.	1.120	1.706	5000	0.264
9 SS 8 FFS 10 X MFS 10	2.720	2.170	0.504	1-14 U.N.	1-14 U.N.	1.250	1.826	5000	0.297
9 SS 12 FFS 12 X MFS 12	2.950	2.310	0.571	1 <sup>3</sup> / <sub>16</sub> -12 U.N.	1 <sup>3</sup> / <sub>16</sub> -12 U.N.	1.500	2.135	4500	0.378
9 SS 16 FFS 16 X MFS 16	3.370	2.890	0.583	1 <sup>7</sup> / <sub>16</sub> -12 U.N.	1 <sup>7</sup> / <sub>16</sub> -12 U.N.	1.750	2.255	4000	0.484
9 SS 20 FFS 20 X MFS 20	4.190	3.180	0.583	1 <sup>11</sup> / <sub>16</sub> -16 U.N.	1 <sup>11</sup> / <sub>16</sub> -12 U.N.	2.125	2.658	4000	0.718
9 SS 24 FFS 24 X MFS 24	5.060	3.840	0.583	2-12 U.N.	2-12 U.N.	2.375	2.845	4000	0.811

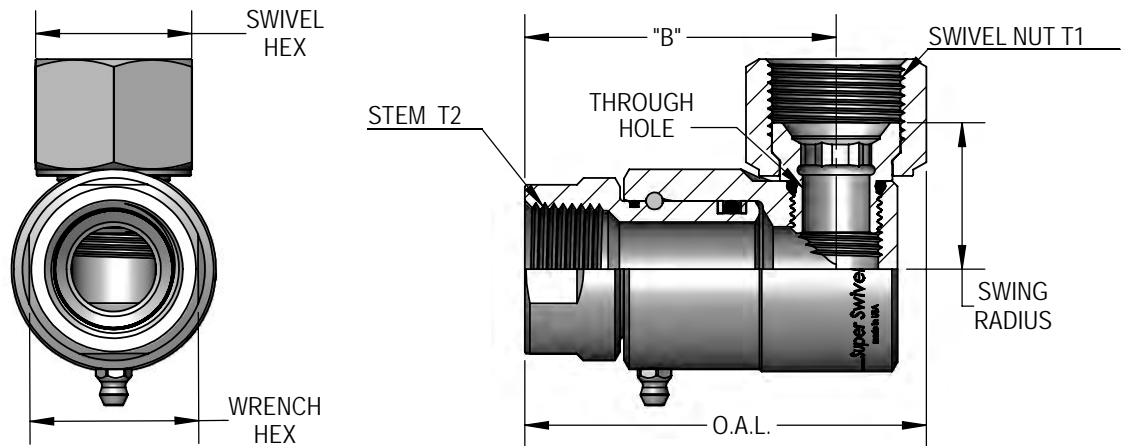
# Male Face Seal Bulkhead (M.F.S.B.) X Male Face Seal (M.F.S.)



Not Available  
In Stainless Steel!

PART NUMBER	O.A.L.	DIM. B	PORT T1	STEM T2	WRENCH/HEX	SWING RADIUS	MAX P.S.I.G.	THROUGH HOLE
9 SS 4 MFSB 6 X MFS 6	3.587	3.075	11/16-16 U.N.	11/16-16 U.N.	1.000	1.450	5000	0.250
9 SS 8 MFSB 8 X MFS 8	3.805	3.258	13/16-16 U.N.	13/16-16 U.N.	1.125	1.706	5000	0.264
9 SS 8 MFSB 10 X MFS 10	3.965	3.418	1-14 U.N.	1-14 U.N.	1.125	1.826	5000	0.297
9 SS 12 MFSB 12 X MFS 12	4.245	3.605	1 <sup>3</sup> / <sub>16</sub> -12 U.N.	1 <sup>3</sup> / <sub>16</sub> -12 U.N.	1.500	2.135	4500	0.378
9 SS 16 MFSB 16 X MFS 16	5.000	4.127	1 <sup>7</sup> / <sub>16</sub> -12 U.N.	1 <sup>7</sup> / <sub>16</sub> -12 U.N.	1.750	2.255	4000	0.484

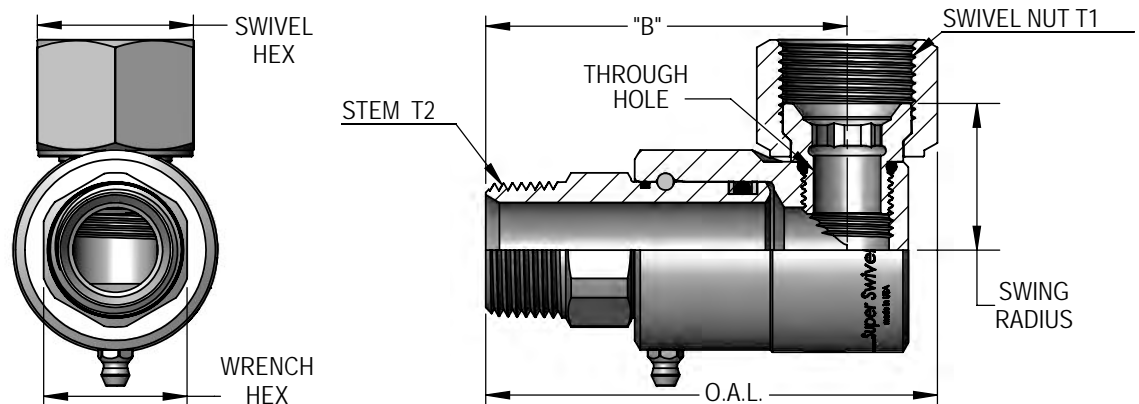
# Female Pipe (N.P.T.F.) X J.I.C. Swivel Nut (37°)



Not Available  
In Stainless Steel!

PART NUMBER	O.A.L.	DIM. B	SWIVEL HEX	WRENCH/HEX	SWIVEL NUT T1	STEM T2	SWG. RADIUS	MAX P.S.I.G.	THROUGH HOLE
9 SS 4 FP 25 X FJS 4	2.510	2.000	0.562	0.750	7/16-20 U.N.	1/4-18 N.P.T.F.	1.171	3500	0.165
9 SS 4 FP 25 X FJS 6	2.510	2.000	0.687	0.750	9/16-18 U.N.	1/4-18 N.P.T.F.	1.167	3500	0.250
9 SS 8 FP 38 X FJS 6	2.670	2.120	0.687	0.875	9/16-18 U.N.	3/8-18 N.P.T.F.	1.283	3500	0.290
9 SS 8 FP 50 X FJS 8	2.850	2.270	0.875	1.125	3/4-16 U.N.	1/2-14 N.P.T.F.	1.254	3500	0.290
9 SS 8 FP 50 X FJS 10	2.880	2.270	1.000	1.125	7/8-14 U.N.	1/2-14 N.P.T.F.	1.017	4500	0.320
9 SS 12 FP 75 X FJS 12	3.080	2.360	1.250	1.375	1 1/16-12 U.N.	3/4-14 N.P.T.F.	1.040	4500	0.460
9 SS 16 FP 100 X FJS 16	3.840	2.980	1.500	1.625	1 5/16-12 U.N.	1-11 1/2 N.P.T.F.	1.277	4000	0.650
9 SS 20 FP 125 X FJS 20	4.430	3.285	2.00	2.000	1 5/8-12 U.N.	1 1/4-11 1/2 N.P.T.F.	1.403	4000	0.790
9 SS 24 FP 150 X FJS 24	5.335	4.040	2.250	2.375	1 7/8-12 U.N.	1 1/2-11 1/2 N.P.T.F.	1.699	4000	0.920

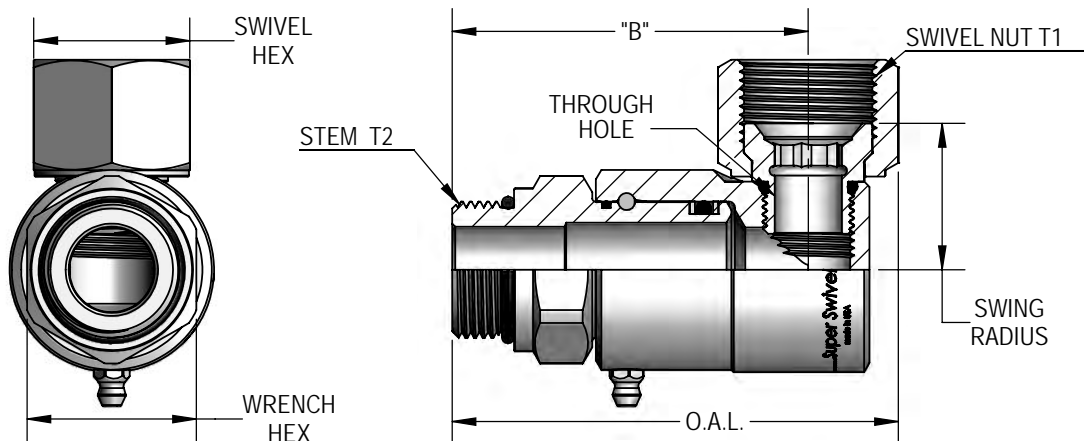
# Male Pipe (N.P.T.F.) X J.I.C. Swivel Nut (37°)



Not Available  
In Stainless Steel!

PART NUMBER	O.A.L.	DIM. B	SWIVEL HEX	WRENCH/HEX	SWIVEL NUT T1	STEM T2	SWG. RADIUS	MAX P.S.I.G.	THROUGH HOLE
9 SS 4 MP 25 X FJS 4	2.640	2.130	0.562	0.625	7/16-20 U.N.	1/4-18 N.P.T.F.	1.171	3500	0.165
9 SS 4 MP 38 X FJS 4	2.720	2.210	0.562	0.750	7/16-20 U.N.	3/8-18 N.P.T.	1.171	3500	0.165
9 SS 4 MP 25 X FJS 6	2.640	2.130	0.687	0.625	9/16-18 U.N.	1/4-18 N.P.T.F.	1.167	3500	0.250
9 SS 4 MP 38 X FJS 6	2.720	2.210	0.687	0.750	9/16-18 U.N.	3/8-18 N.P.T.	1.167	3500	0.250
9 SS 8 MP 38 X FJS 6	3.052	2.548	0.687	1.000	9/16-18 U.N.	3/8-18 N.P.T.F.	1.283	3500	0.290
9 SS 8 MP 50 X FJS 8	3.170	2.620	0.875	1.000	3/4-16 U.N.	1/2-14 N.P.T.F.	1.254	3500	0.290
9 SS 8 MP 50 X FJS 10	3.170	2.620	1.000	1.000	7/8-14 U.N.	1/2-14 N.P.T.F.	1.017	4500	0.320
9 SS 12 MP 75 X FJS 12	3.481	2.760	1.250	1.125	1 1/16-12 U.N.	3/4-14 N.P.T.F.	1.040	4500	0.460
9 SS 16 MP 100 X FJS 16	4.327	3.462	1.500	1.375	1 5/16-12 U.N.	1-11 1/2 N.P.T.F.	1.277	4000	0.650
9 SS 20 MP 125 X FJS 20	4.949	3.795	2.000	1.750	1 5/8-12 U.N.	1 1/4-11 1/2 N.P.T.F.	1.403	4000	0.790

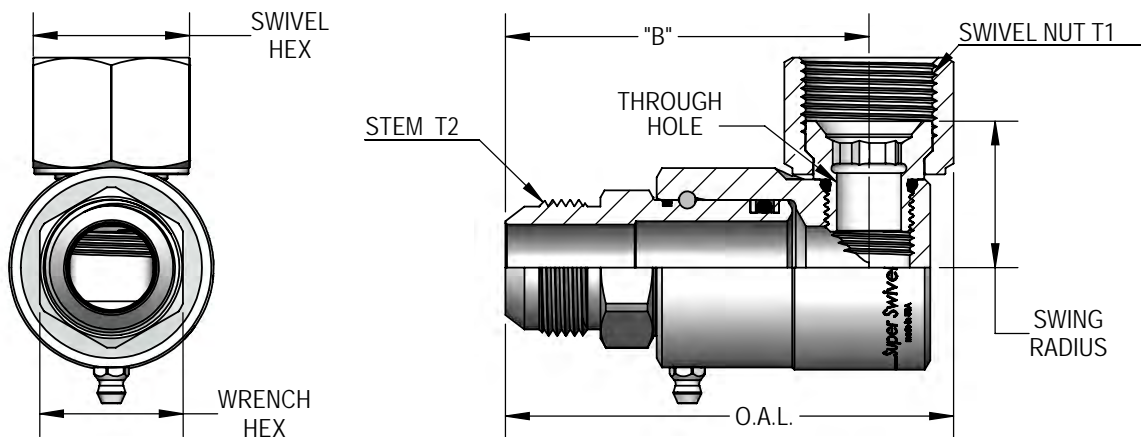
# Male O-Ring (O.R.B.) X J.I.C. Swivel Nut (37°)



Not Available  
In Stainless Steel!

PART NUMBER	O.A.L.	DIM. B	SWIVEL HEX	WRENCH/HEX	SWIVEL NUT T1	STEM T2	SWG. RADIUS	MAX P.S.I.G.	THROUGH HOLE
9 SS 4 MO 6 X FJS 4	2.727	2.215	0.562	0.750	7/16-20 U.N.	9/16-18 U.N.	1.171	3500	0.165
9 SS 4 MO 6 X FJS 6	2.727	2.215	0.687	0.750	9/16-18 U.N.	9/16-18 U.N.	1.167	3500	0.250
9 SS 8 MO 8 X FJS 6	2.923	2.376	0.687	1.000	9/16-18 U.N.	3/4-16 U.N.	1.283	3500	0.290
9 SS 8 MO 8 X FJS 8	2.953	2.376	0.875	1.000	3/4-16 U.N.	3/4-16 U.N.	1.254	3500	0.290
9 SS 8 MO 10 X FJS 10	3.075	2.498	1.000	1.000	7/8-14 U.N.	7/8-14 U.N.	1.017	4500	0.320
9 SS 12 MO 12 X FJS 12	3.470	2.749	1.250	1.375	1 1/16-12 U.N.	1 1/16-12 U.N.	1.040	4500	0.460
9 SS 16 MO 16 X FJS 16	4.276	3.411	1.500	1.625	1 5/16-12 U.N.	1 5/16-12 U.N.	1.277	4000	0.650
9 SS 20 MO 20 X FJS 20	4.909	3.755	2.000	1.875	1 5/8-12 U.N.	1 5/8-12 U.N.	1.403	4000	0.790
9 SS 24 MO 24 X FJS 24	5.830	4.540	2.250	2.125	1 7/8-12 U.N.	1 7/8-12 U.N.	1.699	4000	0.920

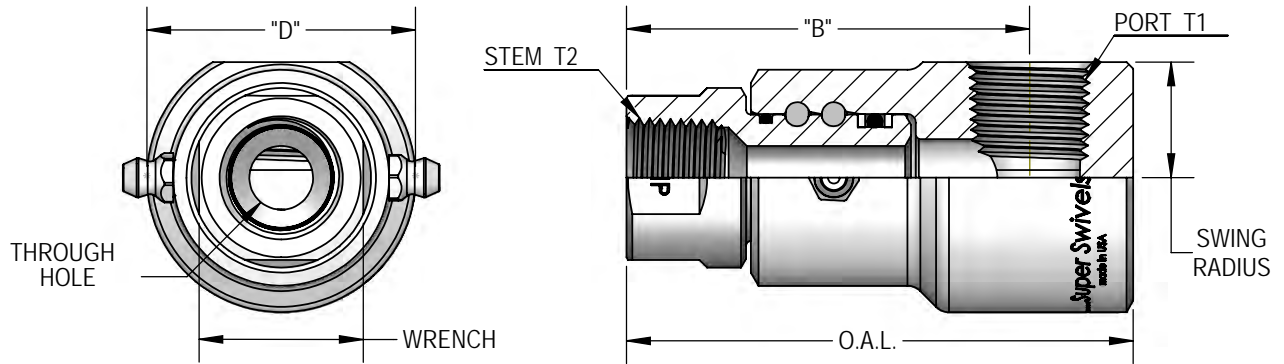
# Male J.I.C. (37°) X J.I.C. Swivel Nut (37°)



Not Available  
In Stainless Steel!

PART NUMBER	O.A.L.	DIM. B	SWIVEL HEX	WRENCH/HEX	SWIVEL NUT T1	STEM T2	SWG. RADIUS	MAX P.S.I.G.	THROUGH HOLE
9 SS 4 MJ 6 X FJS 4	2.887	2.375	0.562	0.625	7/16-20 U.N.	9/16-18 U.N.	1.171	3500	0.165
9 SS 4 MJ 6 X FJS 6	2.887	2.375	0.687	0.625	9/16-18 U.N.	9/16-18 U.N.	1.167	3500	0.250
9 SS 8 MJ 8 X FJS 6	3.070	2.523	0.687	1.000	9/16-18 U.N.	3/4-16 U.N.	1.283	3500	0.290
9 SS 8 MJ 8 X FJS 8	3.100	2.523	0.875	1.000	3/4-16 U.N.	3/4-16 U.N.	1.254	3500	0.290
9 SS 8 MJ 8 X FJS 10	3.100	2.523	1.000	1.000	7/8-14 U.N.	3/4-16 U.N.	1.017	4500	0.320
9 SS 8 MJ 10 X FJS 10	3.200	2.623	1.000	1.000	7/8-14 U.N.	7/8-14 U.N.	1.017	4500	0.320
9 SS 12 MJ 12 X FJS 12	3.606	2.885	1.250	1.125	1 1/16-12 U.N.	1 1/16-12 U.N.	1.040	4500	0.460
9 SS 16 MJ 16 X FJS 16	4.348	3.482	1.500	1.375	1 5/16-12 U.N.	1 5/16-12 U.N.	1.277	4000	0.650
9 SS 20 MJ 20 X FJS 20	4.989	3.835	2.000	1.750	1 5/8-12 U.N.	1 5/8-12 U.N.	1.403	4000	0.790

# 10,000 P.S.I. Female Pipe (N.P.T.F.) X Female Pipe N.P.T.F.)

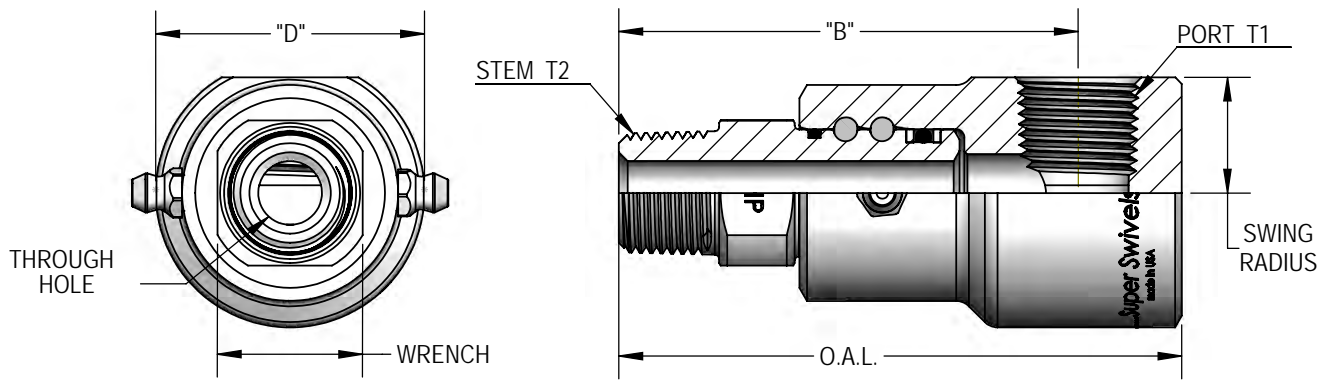


Not Available  
In Stainless Steel!

PART NUMBER	O.A.L.	DIM. B	DIM. D Ø	WRENCH	PORT T1	STEM T2	SWG. RADIUS	MAX. P.S.I.G.	THROUGH HOLE
9 SS 8 HP FP 38 X FP 38	2.940	2.340	1.520	1.125	3/8-18 N.P.T.F.	3/8-18 N.P.T.F.	0.660	10,000	0.437
9 SS 8 HP FP 50 X FP 50	3.470	2.895	1.842	1.125	1/2-14 N.P.T.F.	1/2-14 N.P.T.F.	1.048	10,000	0.437

# HIGH PRESSURE ~ 10,000 P.S.I.

# 10,000 P.S.I. Male Pipe (N.P.T.F.) X Female Pipe (N.P.T.F.)



Not Available  
In Stainless Steel!

PART NUMBER	O.A.L.	DIM. B	DIM. D Ø	WRENCH	PORT T1	STEM T2	SWG. RADIUS	MAX. P.S.I.G.	THROUGH HOLE
9 SS 8 HP MP 38 X FP 38	3.375	2.800	1.520	1.000	3/8-18 N.P.T.F.	3/8-18 N.P.T.F.	0.660	10,000	0.312

# 90° Dual Plane Swivels



## Switch Your Swivel!®



**Dual Plane Swivels** - 90° Dual Plane Swivels rotating joints provide free rotation on two axis's with a right-angle change of path. By having two lines with full rotation the complexity of hose lines can be reduced providing minimal friction and allowing free movement of hoses and piping. 90° Dual Plane Super Swivels allow for sharp corners with reduced risk of kinks and flow restriction and free rotation on two paths. 90° Dual Plane Swivels sizes range from 1/4" through 1 1/2" body thread with various fittings and seal configurations.

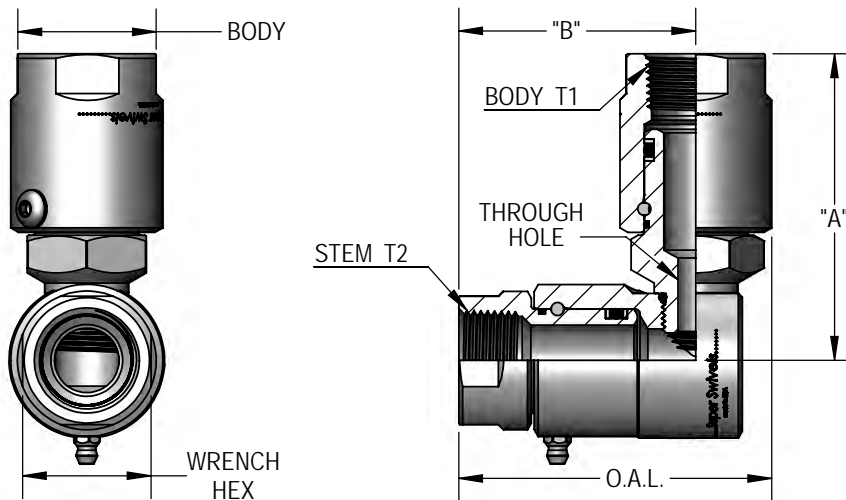
[www.SuperSwivels.com](http://www.SuperSwivels.com)

Email: [sales@superswivels.com](mailto:sales@superswivels.com)

763-784-5531

Fax: 763-784-7423

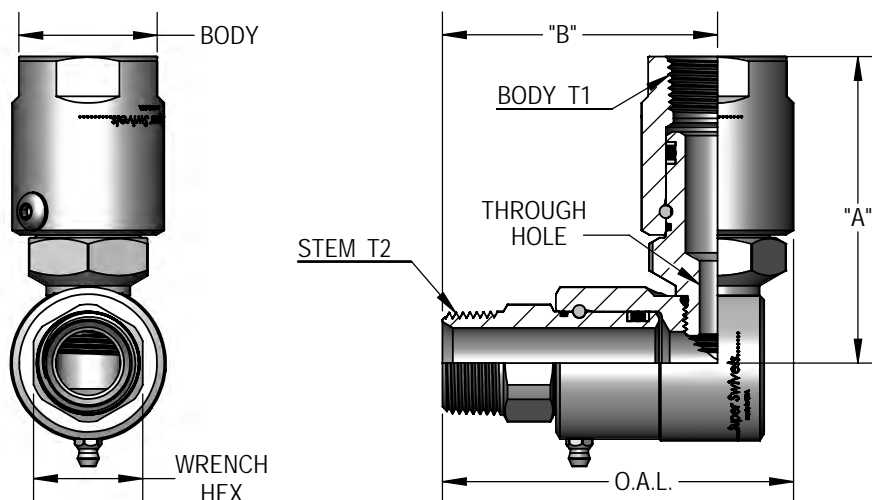
# Female Pipe (N.P.T.F.) X Female Pipe (N.P.T.F.)



Not Available  
In Stainless Steel!

PART NUMBER	O.A.L.	DIM. B	BODY	WRENCH/HEX	BODY T1	STEM T2	DIM. A	MAX. P.S.I.G.	THROUGH HOLE
9 DP 4 FP 25 X FP 25	2.480	2.000	0.875	0.750	1/4-18 N.P.T.F.	1/4-18 N.P.T.F.	2.689	5000	0.250
9 DP 8 FP 38 X FP 38	2.770	2.120	1.125	0.875	3/8-18 N.P.T.F.	3/8-18 N.P.T.F.	3.063	5000	0.297
9 DP 8 FP 50 X FP 50	2.920	2.270	1.250	1.125	1/2-14 N.P.T.F.	1/2-14 NN.P.T.	3.053	5000	0.297
9 DP 12 FP 75 X FP 75	3.200	2.360	1.500	1.375	3/4-14 N.P.T.F.	3/4-14 N.P.T.F.	3.190	4500	0.391
9 DP 16 FP 100 X FP 100	3.940	2.980	1.750	1.625	1-11 1/2 N.P.T.F.	1-11 1/2 N.P.T.F.	4.090	4000	0.484
9 DP 20 FP 125 X FP 125	4.460	3.285	2.125	2.000	1 1/4-11 1/2 N.P.T.F.	1 1/4-11 1/2 N.P.T.F.	4.631	4000	0.718
9 DP 24 FP 150 X FP 150	5.310	4.040	2.375	2.375	1 1/2-11 1/2 N.P.T.F.	1 1/2-11 1/2 N.P.T.F.	5.351	4000	0.844

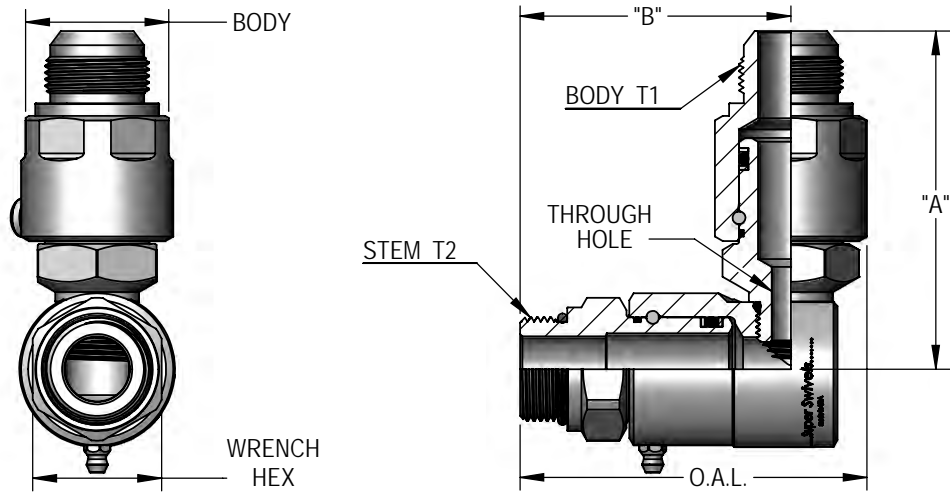
# Male Pipe (N.P.T.F.) X Female Pipe (N.P.T.F.)



Not Available  
In Stainless Steel!

PART NUMBER	O.A.L.	DIM. B	BODY	WRENCH/HEX	BODY T1	STEM T2	DIM. A	MAX. P.S.I.G.	THROUGH HOLE
9 DP 4 MP 25 X FP 25	2.670	2.130	0.875	0.625	1/4-18 N.P.T.F.	1/4-18 N.P.T.F.	2.689	5000	0.250
9 DP 8 MP 38 X FP 38	3.193	2.548	1.125	1.000	3/8-18 N.P.T.F.	3/8-18 N.P.T.F.	3.063	5000	0.297
9 DP 8 MP 50 X FP 50	3.318	2.673	1.250	1.000	1/2-14 N.P.T.F.	1/2-14 N.P.T.F.	3.053	5000	0.297
9 DP 12 MP 75 X FP 75	3.598	2.760	1.500	1.125	3/4-14 N.P.T.F.	3/4-14 N.P.T.F.	3.190	4500	0.391
9 DP 16 MP 100 X FP 100	4.420	3.462	1.750	1.375	1-11 1/2 N.P.T.F.	1-11 1/2 N.P.T.F.	4.090	4000	0.484
9 DP 20 MP 125 X FP 125	4.973	3.795	2.125	1.750	1 1/4-11 1/2 N.P.T.F.	1 1/4-11 1/2 N.P.T.F.	4.631	4000	0.718

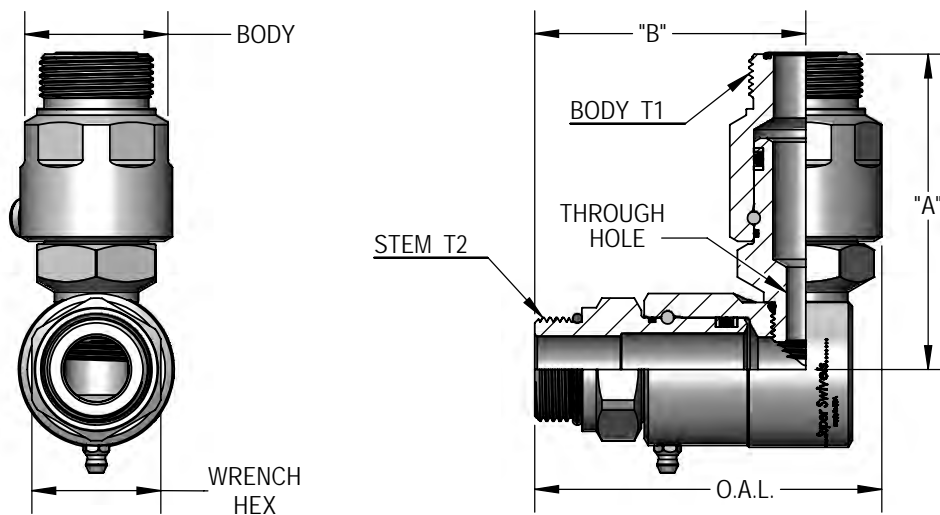
# Male O-Ring (O.R.B.) X Male J.I.C. (37°)



Not Available  
In Stainless Steel!

PART NUMBER	O.A.L.	DIM. B	BODY	WRENCH/HEX	BODY T1	STEM T2	DIM. A	MAX. P.S.I.G.	THROUGH HOLE
9 DP 4 MO 4 X MJ 4	2.792	2.215	1.000	0.625	7/16-20 U.N.	7/16-20 U.N.	2.689	5000	0.172
9 DP 4 MO 6 X MJ 6	2.792	2.215	1.000	0.750	9/16-18 U.N.	9/16-18 U.N.	2.689	5000	0.250
9 DP 8 MO 8 X MJ 8	3.021	2.376	1.375	1.000	3/4-16 U.N.	3/4-16 U.N.	3.103	5000	0.297
9 DP 8 MO 10 X MJ 10	3.291	2.498	1.375	1.000	7/8-14 U.N.	7/8-14 U.N.	3.253	5000	0.297
9 DP 12 MO 12 X MJ 12	3.615	2.749	1.560	1.375	1 1/16-12 U.N.	1 1/16-12 U.N.	3.465	4500	0.391
9 DP 16 MO 16 X MJ 16	4.370	3.411	1.810	1.625	1 5/16-12 U.N.	1 5/16-12 U.N.	4.260	4000	0.484
9 DP 20 MO 20 X MJ 20	4.934	3.755	2.188	1.875	1 5/8-12 U.N.	1 5/8-12 U.N.	4.796	4000	0.718
9 DP 24 MO 24 X MJ 24	5.810	4.540	2.375	2.125	1 7/8-12 U.N.	1 7/8-12 U.N.	5.510	4000	0.844

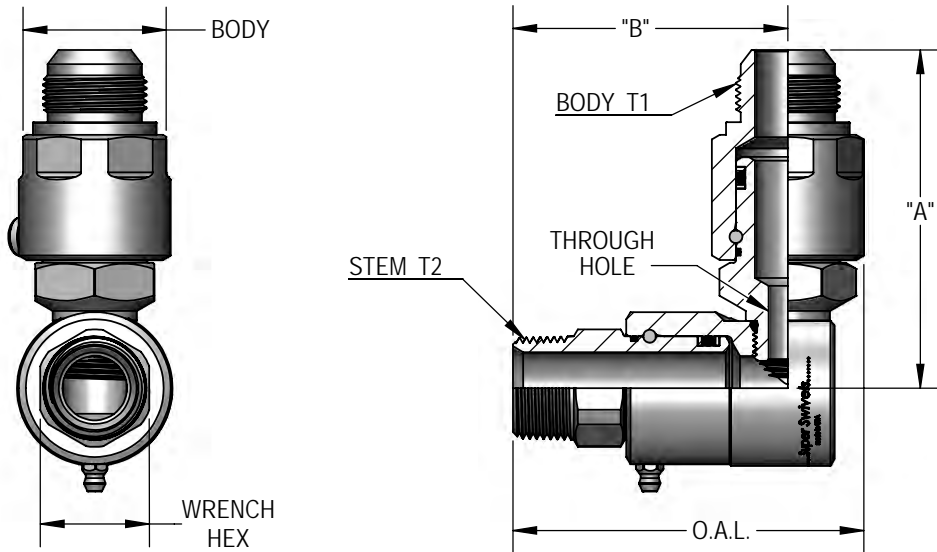
# Male O-Ring (O.R.B.) X Male Face Seal (M.F.S.)



Not Available  
In Stainless Steel!

PART NUMBER	O.A.L.	DIM. B	BODY	WRENCH/HEX	BODY T1	STEM T2	DIM. A	MAX. P.S.I.G.	THROUGH HOLE
9 DP 4 MO 6 X MFS 6	2.792	2.215	1.000	0.625	11/16-16 U.N.	9/16-18 U.N.	2.609	5000	0.250
9 DP 8 MO 8 X MFS 8	3.169	2.376	1.375	1.000	13/16-16 U.N.	3/4-16 U.N.	2.912	5000	0.297
9 DP 8 MO 10 X MFS 10	3.291	2.498	1.375	1.000	1-14 U.N.	7/8-14 U.N.	3.018	5000	0.291
9 DP 12 MO 12 X MFS 12	3.615	2.749	1.560	1.375	1 3/16-12 U.N.	1 1/16-12 U.N.	3.239	4500	0.391
9 DP 16 MO 16 X MFS 16	4.370	3.411	1.810	1.625	1 7/16-12 U.N.	1 5/16-12 U.N.	3.970	4000	0.484
9 DP 20 MO 20 X MFS 20	4.934	3.755	2.188	1.875	1 1/2-12 U.N.	1 5/8-12 U.N.	4.446	4000	0.718

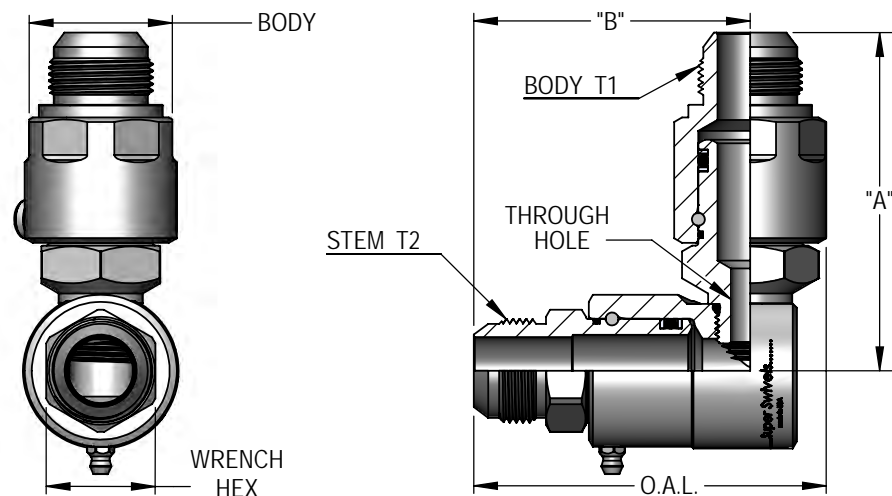
## Male Pipe (N.P.T.F.) X Male J.I.C. (37°)



Not Available  
In Stainless Steel!

PART NUMBER	O.A.L.	DIM. B	BODY	WRENCH/HEX	BODY T1	STEM T2	DIM. A	MAX. P.S.I.G.	THROUGH HOLE
9 DP 4 MP 25 X MJ 4	2.640	2.130	1.000	0.625	7/16-20 U.N.	1/4-18 N.P.T.F.	2.689	5000	0.172
9 DP 4 MP 38 X MJ 6	2.720	2.210	1.000	1.000	9/16-18 U.N.	3/8-18 N.P.T.F.	2.807	5000	0.250
9 DP 8 MP 50 X MJ 8	3.360	2.620	1.375	1.000	3/4-16 U.N.	1/2-14 N.P.T.F.	3.103	5000	0.297
9 DP 8 MP 50 X MJ 10	3.360	2.620	1.375	1.000	7/8-14 U.N.	1/2-14 N.P.T.F.	3.253	5000	0.297
9 DP 12 MP 75 X MJ 12	3.626	2.760	1.560	1.125	1 1/16-12 U.N.	3/4-14 N.P.T.F.	3.465	4500	0.391
9 DP 16 MP 100 X MJ 16	4.420	3.462	1.810	1.375	1 5/16-12 U.N.	1-11 1/2 N.P.T.F.	4.260	4000	0.484
9 DP 20 MP 125 X MJ 20	4.973	3.795	2.188	1.750	1 5/8-12 U.N.	1 1/4-11 1/2 N.P.T.F.	4.796	4000	0.718
9 DP 24 MP 150 X MJ 24	5.890	4.620	2.375	2.000	1 7/8-12 U.N.	1 1/2-11 1/2 N.P.T.F.	5.510	4000	0.844

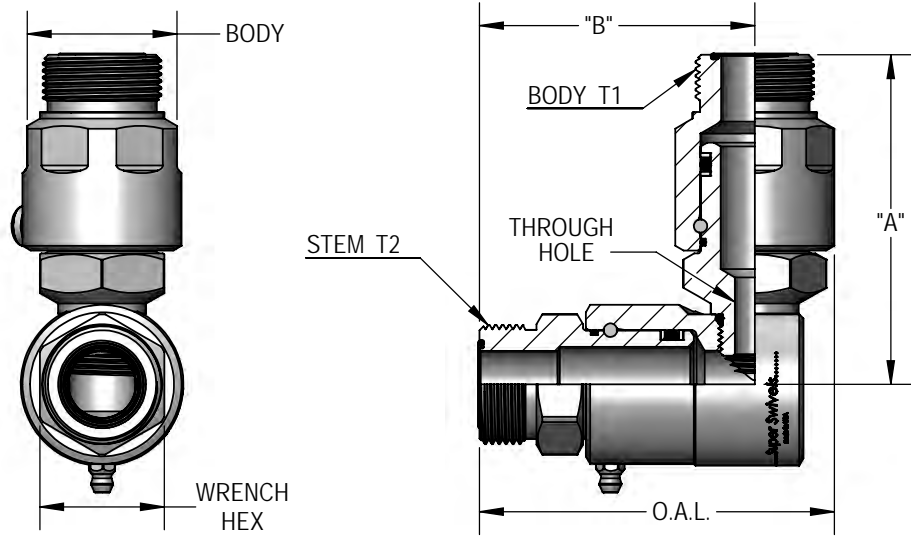
## Male J.I.C. (37°) X Male J.I.C. (37°)



Not Available  
In Stainless Steel!

PART NUMBER	O.A.L.	DIM. B	BODY	WRENCH/HEX	BODY T1	STEM T2	DIM. A	MAX. P.S.I.G.	THROUGH HOLE
9 DP 4 MJ 4 X MJ 4	2.837	2.325	1.000	0.625	7/16-20 U.N.	7/16-20 U.N.	2.689	5000	0.172
9 DP 4 MJ 6 X MJ 6	2.922	2.345	1.000	0.625	9/16-18 U.N.	9/16-18 U.N.	2.689	5000	0.250
9 DP 8 MJ 8 X MJ 8	3.168	2.523	1.375	1.000	3/4-16 U.N.	3/4-16 U.N.	3.103	5000	0.297
9 DP 8 MJ 10 X MJ 10	3.416	2.623	1.375	1.000	7/8-14 U.N.	7/8-14 U.N.	3.253	5000	0.297
9 DP 12 MJ 12 X MJ 12	3.751	2.885	1.560	1.125	1 1/16-12 U.N.	1 1/16-12 U.N.	3.465	4500	0.391
9 DP 16 MJ 16 X MJ 16	4.441	3.482	1.810	1.375	1 5/16-12 U.N.	1 5/16-12 U.N.	4.260	4000	0.484

# Male Face Seal (M.F.S.) X Male Face Seal (M.F.S.)



Not Available  
In Stainless Steel!

PART NUMBER	O.A.L.	DIM. B	BODY	WRENCH/HEX	BODY T1	STEM T2	DIM. A	MAX. P.S.I.G.	THROUGH HOLE
9 DP 4 MFS 6 X MFS 6	2.753	2.176	1.000	0.750	11/16-16 U.N.	11/16-16 U.N.	2.609	5000	0.250
9 DP 8 MFS 8 X MFS 8	3.155	2.362	1.375	1.000	13/16-16 U.N.	13/16-16 U.N.	2.912	5000	0.297
9 DP 8 MFS 10 X MFS 10	3.351	2.558	1.375	1.125	1-14 U.N.	1-14 U.N.	3.018	5000	0.297
9 DP 12 MFS 12 X MFS 12	3.610	2.745	1.560	1.250	13/16-12 U.N.	1 <sup>3</sup> / <sub>16</sub> -12 U.N.	3.239	4500	0.391
9 DP 16 MFS 16 X MFS 16	4.274	3.316	1.810	1.500	1 <sup>7</sup> / <sub>16</sub> -12 U.N.	1 <sup>7</sup> / <sub>16</sub> -12 U.N.	3.970	4000	0.484
9 DP 20 MFS 20 X MFS 20	4.827	3.649	2.188	1.750	1 <sup>11</sup> / <sub>16</sub> -12 U.N.	1 <sup>11</sup> / <sub>16</sub> -12 U.N.	4.446	4000	0.718
9 DP 24 MFS 24 X MFS 24	5.645	4.370	2.375	2.125	2-12 U.N.	2-12 U.N.	5.116	4000	0.844

## Swivel 3D CAD Models Are Available



Super Swivels 3D CAD models are available  
for all of the standard catalog items.

Call to have us send you the digital file to download

# BSPP

## Inline & 90° Swivels



### **Switch Your Swivel!®**

**BSPP Swivels** (British Standard Parallel Pipe) are most common in the UK, Europe, Asia, Australia, New Zealand and South Africa. A parallel thread fitting uses a bonded seal ring. This bonded ring seal is sandwiched in-between a shoulder on the male fitting and the face of the female fitting and is squeezed in place with no thread sealant required. Super Swivels ball bearing race design withstands heavy side loads preventing premature seal wear and leaks. BSPP sizes range from 1/4" through 1 1/2" body thread with multiple fittings and seal configurations including Inline and 90° Swivels.

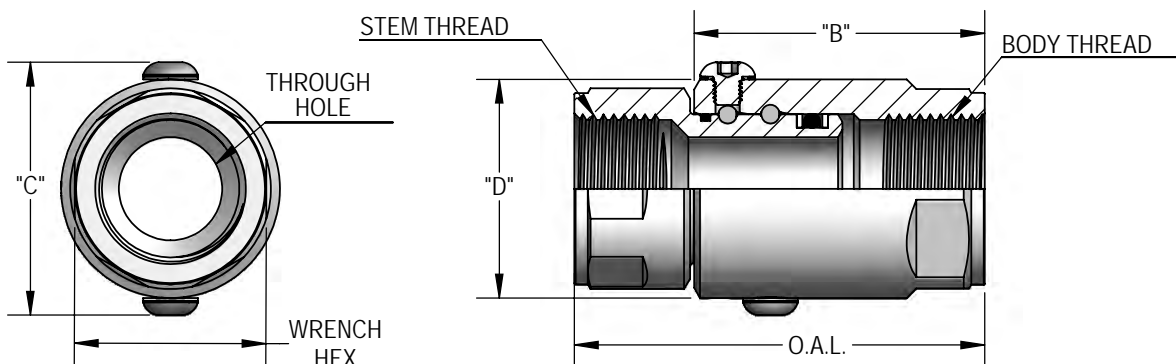
[www.SuperSwivels.com](http://www.SuperSwivels.com)

Email: [sales@superswivels.com](mailto:sales@superswivels.com)

763-784-5531

Fax: 763-784-7423

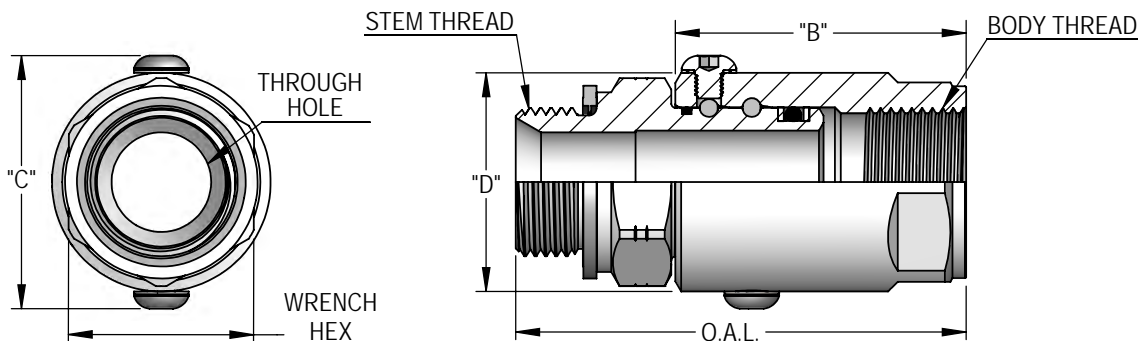
## Female BSPP X Female BSPP



Not Available  
In Stainless Steel!

PART NUMBER	O.A.L.	DIM. B	DIM. D Ø	DIM. C	WRENCH HEX	BODY THREAD	STEM THREAD	MAX. PRES.	THROUGH HOLE
SS 4 FBSPP 4 X FBSPP 4	2.570 65.3 mm	1.720 43.7 mm	0.992 25.2 mm	1.122 28.5 mm	0.875 22.2 mm	G 1/4-19 BSPP	G 1/4-19 BSPP	5,000 PSI 345 BAR	0.250 6.3 mm
SS 6 FBSPP 6 X FBSPP 6	2.663 67.6 mm	1.780 45.2 mm	1.302 33.1 mm	1.702 43.2 mm	1.187 30.1 mm	G 3/8-19 BSPP	G 3/8-19 BSPP	5,000 PSI 345 BAR	0.312 7.9 mm
SS 8 DB FBSPP 8 X FBSPP 8	3.007 76.4 mm	2.080 52.8 mm	1.480 37.6 mm	1.880 47.8 mm	1.312 33.3 mm	G 1/2-14 BSPP	G 1/2-14 BSPP	5,000 PSI 345 BAR	0.406 10.3 mm
SS 12 DB FBSPP 12 X FBSPP 12	3.102 78.8 mm	2.100 53.3 mm	1.675 42.5 mm	2.070 52.6 mm	1.500 38.1 mm	G 3/4-14 BSPP	G 3/4-14 BSPP	5,000 PSI 345 BAR	0.630 16.0 mm
SS 16 DB FBSPP 16 X FBSPP 16	3.725 94.6 mm	2.550 64.8 mm	1.917 48.7 mm	2.320 58.9 mm	1.750 44.4 mm	G 1-11 BSPP	G 1-11 BSPP	4,500 PSI 310 BAR	0.787 20.0 mm
SS 20 FBSPP 20 X FBSPP 20	4.040 102.6 mm	2.650 67.3 mm	2.358 59.9 mm	2.760 70.1 mm	2.125 54.0 mm	G 1 1/4-11 BSPP	G 1 1/4-11 BSPP	4,000 PSI 275 BAR	0.984 25.0 mm
SS 24 FBSPP 24 X FBSPP 24	4.640 117.9 mm	3.250 82.5 mm	2.548 64.7 mm	2.950 74.9 mm	2.375 60.3 mm	G 1 1/2-11 BSPP	G 1 1/2-11 BSPP	4,000 PSI 275 BAR	1.260 32.0 mm

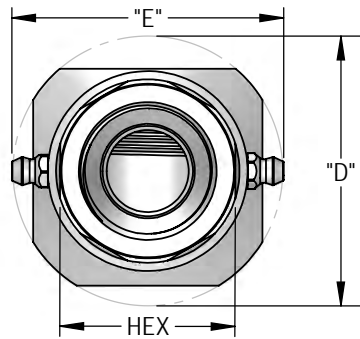
## Male BSPP X Female BSPP



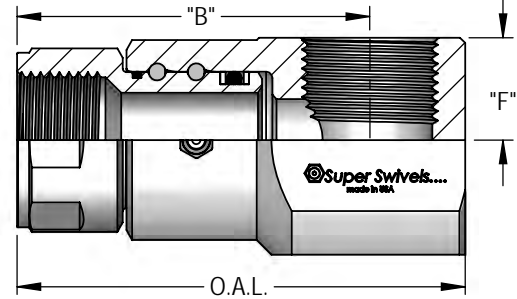
Not Available  
In Stainless Steel!

PART NUMBER (Inches)	O.A.L.	DIM. B	DIM. D Ø	DIM. C	WRENCH HEX	BODY THREAD	STEM THREAD	MAX. PRES.	THROUGH HOLE
SS 4 MBSPP 4 X FBSPP 4	2.665 67.7 mm	1.720 43.7 mm	0.992 25.2 mm	1.122 28.4 mm	0.812 20.6 mm	G 1/4-19 BSPP	G 1/4-19 BSPP	5,000 PSI 345 BAR	0.250 6.3 mm
SS 6 MBSPP 6 X FBSPP 6	2.728 69.3 mm	1.780 45.2 mm	1.302 33.1 mm	1.702 43.2 mm	0.937 23.8 mm	G 3/8-19 BSPP	G 3/8-19 BSPP	5,000 PSI 345 BAR	0.312 7.9 mm
SS 8 DB MBSPP 8 X FBSPP 8	3.102 78.8 mm	2.080 52.8 mm	1.480 37.6 mm	1.880 47.7 mm	1.125 28.6 mm	G 1/2-14 BSPP	G 1/2-14 BSPP	5,000 PSI 345 BAR	0.406 10.3 mm
SS 12 DB MBSPP 12 X FBSPP 12	3.302 83.9 mm	2.100 53.3 mm	1.675 42.5 mm	2.070 52.5 mm	1.312 33.3 mm	G 3/4-14 BSPP	G 3/4-14 BSPP	5,000 PSI 345 BAR	0.630 16.0 mm
SS 16 DB MBSPP 16 X FBSPP 16	3.947 100.3 mm	2.550 64.8 mm	1.917 48.7 mm	2.320 58.9 mm	1.625 41.3 mm	G 1-11 BSPP	G 1-11 BSPP	4,500 PSI 310 BAR	0.787 20.0 mm
SS 20 MBSPP 20 X FBSPP 20	4.265 108.3 mm	2.650 67.3 mm	2.358 59.9 mm	2.760 70.1 mm	2.000 50.8 mm	G 1 1/4-11 BSPP	G 1 1/4-11 BSPP	4,000 PSI 275 BAR	0.984 25.0 mm

# Female BSPP X Female BSPP

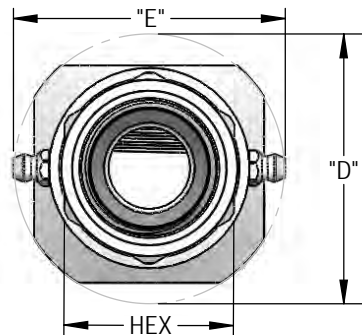


Not Available  
In Stainless Steel!

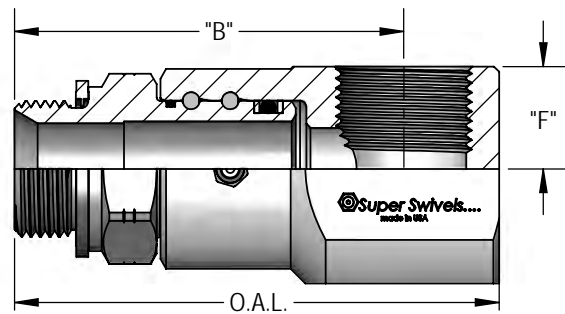


PART NUMBER	O.A.L.	DIM. B	DIM. D Ø	DIM. E	WRENCH HEX	PORT T1	STEM T2	DIM. F	MAX. PRES.	THROUGH HOLE
9 SS 4 FBSPP 4 X FBSPP 4	2.715 69.0 mm	2.255 57.3 mm	1.318 33.5 mm	1.858 47.2 mm	0.875 22.2 mm	G 1/4-19 BSPP	G 1/4-19 BSPP	0.519 13.2 mm	5,000 PSI 345 BAR	0.250 6.3 mm
9 SS 6 FBSPP 6 X FBSPP 6	2.883 73.2 mm	2.313 58.8 mm	1.450 36.8 mm	1.992 50.6 mm	1.187 30.1 mm	G 3/8-19 BSPP	G 3/8-19 BSPP	0.552 14.0 mm	5,000 PSI 345 BAR	0.312 7.9 mm
9 SS 8 DB FBSPP 8 X FBSPP 8	3.317 84.3 mm	2.686 68.2 mm	1.724 43.8 mm	2.170 55.1 mm	1.312 33.3 mm	G 1/2-14 BSPP	G 1/2-14 BSPP	0.653 16.6 mm	5,000 PSI 345 BAR	0.406 10.3 mm
9 SS 12 DB FBSPP 12 X FBSPP 12	3.722 94.5 mm	2.942 74.7 mm	2.184 55.5 mm	2.370 60.2 mm	1.500 38.1 mm	G 3/4-14 BSPP	G 3/4-14 BSPP	0.849 21.6 mm	5,000 PSI 345 BAR	0.630 16.0 mm
9 SS 16 DB FBSPP 16 X FBSPP 16	4.428 112.5 mm	3.513 89.2 mm	2.588 65.7 mm	2.610 66.3 mm	1.750 44.4 mm	G 1-11 BSPP	G 1-11 BSPP	0.982 24.9 mm	4,500 PSI 310 BAR	0.787 20.0mm
9 SS 20 FBSPP 20 X FBSPP 20	4.890 124.2 mm	3.790 96.3 mm	3.088 78.4 mm	3.050 77.5 mm	2.125 54.0 mm	G 1 1/4-11 BSPP	G 1 1/4-11 BSPP	1.149 29.2 mm	4,000 PSI 275 BAR	0.984 25.0 mm
9 SS 24 FBSPP 24 X FBSPP 24	5.940 150.9 mm	4.670 118.6 mm	3.576 90.8 mm	3.240 82.3 mm	2.375 60.3 mm	G 1 1/2-11 BSPP	G 1 1/2-11 BSPP	1.366 34.7 mm	4,000 PSI 275 BAR	1.260 32.0 mm

# Male BSPP X Female BSPP



Not Available  
In Stainless Steel!

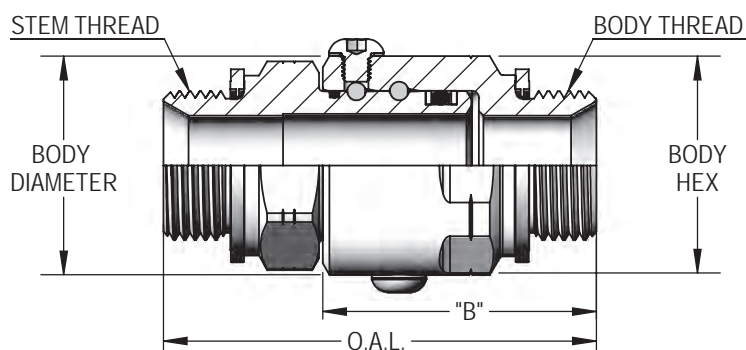
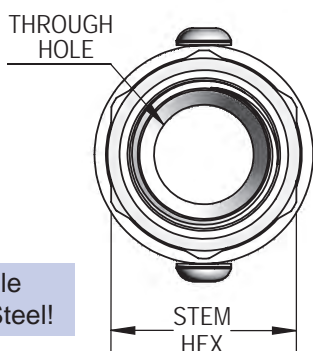


PART NUMBER	O.A.L.	DIM. B	DIM. D Ø	DIM. E	WRENCH HEX	PORT T1	STEM T2	DIM. F	MAX. PRES.	THROUGH HOLE
9 SS 4 MBSPP 4 X FBSPP 4	2.810 71.4 mm	2.350 59.7 mm	1.318 33.5 mm	1.858 47.2 mm	0.812 20.6 mm	G 1/4-19 BSPP	G 1/4-19 BSPP	0.519 13.2 mm	5,000 PSI 345 BAR	0.250 6.3 mm
9 SS 6 MBSPP 6 X FBSPP 6	2.947 74.9 mm	2.367 60.1 mm	1.450 36.8 mm	1.992 50.6 mm	0.937 23.8 mm	G 3/8-19 BSPP	G 3/8-19 BSPP	0.552 14.0 mm	5,000 PSI 345 BAR	0.312 7.9 mm
9 SS 8 DB MBSPP 8 X FBSPP 8	3.412 86.7 mm	2.781 70.6 mm	1.724 43.8 mm	2.170 55.1 mm	1.125 28.6 mm	G 1/2-14 BSPP	G 1/2-14 BSPP	0.653 16.6 mm	5,000 PSI 345 BAR	0.406 10.3 mm
9 SS 12 DB MBSPP 12 X FBSPP 12	3.922 99.6 mm	3.142 79.8 mm	2.184 55.5 mm	2.370 60.2 mm	1.312 33.3 mm	G 3/4-14 BSPP	G 3/4-14 BSPP	0.849 21.6 mm	5,000 PSI 345 BAR	0.630 16.0 mm
9 SS 16 DB MBSPP 16 X FBSPP 16	4.648 118.1 mm	3.733 94.8 mm	2.588 65.7 mm	2.610 66.3 mm	1.625 41.3 mm	G 1-11 BSPP	G 1-11 BSPP	0.982 24.9 mm	4,500 PSI 310 BAR	0.787 20.0 mm
9 SS 20 MBSPP 20 X FBSPP 20	5.115 129.9 mm	4.015 102.0 mm	3.088 78.4 mm	3.050 77.5 mm	2.000 50.8 mm	G 1 1/4-11 BSPP	G 1 1/4-11 BSPP	1.149 29.2 mm	4,000 PSI 275 BAR	0.984 25.0 mm
9 SS 24 MBSPP 24 X FBSPP 24	6.385	5.115	3.576	3.240	2.250	G 1 1/2-11 BSPP	G 1 1/2-11 BSPP	1.366	4,000 PSI	1.260

# Male BSPP X Male BSPP



Also Available in MPxMP  
Now In NPTF  
See Page 13



Not Available  
In Stainless Steel!

PART NUMBER	O.A.L.	DIM. B	STEM THREAD	Body THREAD	STEM HEX	BODY DIA.	BODY HEX	MAX. PRES.	THROUGH HOLE
SS 4 MBSPP 4 X MBSPP 4	2.600 66 mm	1.650 41.9 mm	G 1/4-19 BSPP	G 1/4-19 BSPP	0.812 20.6 mm	HEX	1.000 25.4 mm	5,000 PSI 345 BAR	0.250 6.4 mm
SS 6 MBSPP 6 X MBSPP 6	2.670 67.8 mm	1.720 43.7 mm	G 3/8-19 BSPP	G 3/8-19 BSPP	1.062 27 mm	1.290 32.8 mm	1.187 30.1 mm	5,000 PSI 345 BAR	0.313 8 mm
SS 8 DB MBSPP 8 X MBSPP 8	3.060 77.7 mm	2.035 51.7 mm	G 1/2-14 BSPP	G 1/2-14 BSPP	1.125 28.6 mm	1.480 37.6 mm	1.375 34.9 mm	5,000 PSI 345 BAR	0.437 11.1 mm
SS 12 DB MBSPP 12 X MBSPP 12	3.270 83 mm	2.070 52.6 mm	G 3/4-14 BSPP	G 3/4-14 BSPP	1.312 33.3 mm	1.675 42.5 mm	1.562 39.7 mm	5,000 PSI 345 BAR	0.657 16.7 mm
SS 16 DB MBSPP 16 X MBSPP 16	3.800 96.5 mm	2.400 61 mm	G 1-11 BSPP	G 1-11 BSPP	1.625 41.3 mm	1.917 48.7 mm	1.812 46 mm	4,500 PSI 310 BAR	0.875 22.2 mm
SS 20 MBSPP 20 X MBSPP 20	4.190 106.4 mm	2.580 65.5 mm	G 1 1/4-11 BSPP	G 1 1/4-11 BSPP	2.000 50.8 mm	2.357 59.9 mm	2.187 55.5 mm	4,000 PSI 275 BAR	1.125 28.6 mm
SS 24 MBSPP 24 X MBSPP 24	4.930	3.130	G 1 1/2-11 BSPP	G 1 1/2-11 BSPP	2.250	2.557	2.375	4,000 PSI	1.312

# Super-Duty-Swivels

## Inline & 90° Swivels



*Super*  
**DUTY**  
*Swivels*<sup>™</sup>

*Switch Your Swivel!*<sup>®</sup>

For heavy-duty applications **Super-Duty-Swivels**<sup>™</sup> offer a multiple bearing race design for superior side load strength and added load bearing support.

The inner and outer race for the ball bearings is integrally designed and machined within tight tolerances into the hardened metal of the male stem and female body, providing a rigid track for the balls to roll freely, yet securely.

**Super-Duty-Swivels** superior design, construction and seals allow for higher maximum pressure ratings than others, even in 90° configuration. Sizes range from 1/4" through 1 1/2" body thread with multiple fittings and seal configurations including Inline and 90° Swivels.

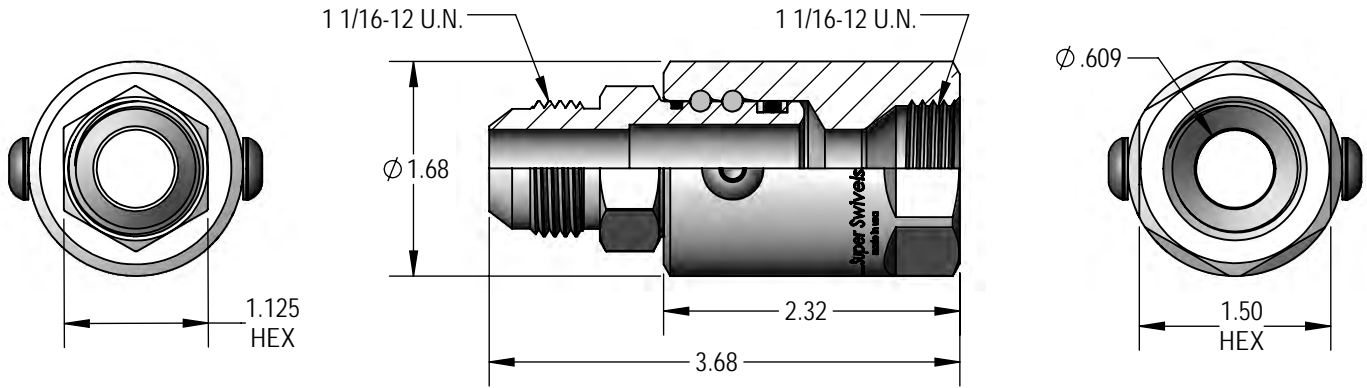
[www.SuperSwivels.com](http://www.SuperSwivels.com)

Email: [sales@superswivels.com](mailto:sales@superswivels.com)

763-784-5531

Fax: 763-784-7423

# 12 Male J.I.C. (37°) X Female J.I.C. (37°)



PART NUMBER  
SS 12 DB MJ 12 X FJ 12

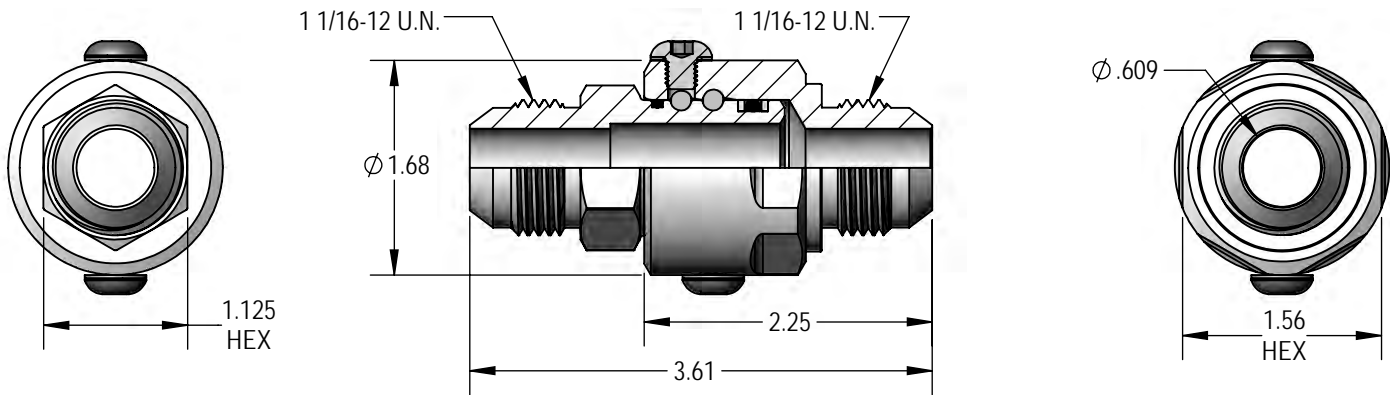
MAXIMUM P.S.I.G.  
5,000

Not Available  
In Stainless Steel!

*Heavy-Duty  
Multiple Bearing Race*



# 12 Male J.I.C. (37°) X Male J.I.C. (37°)

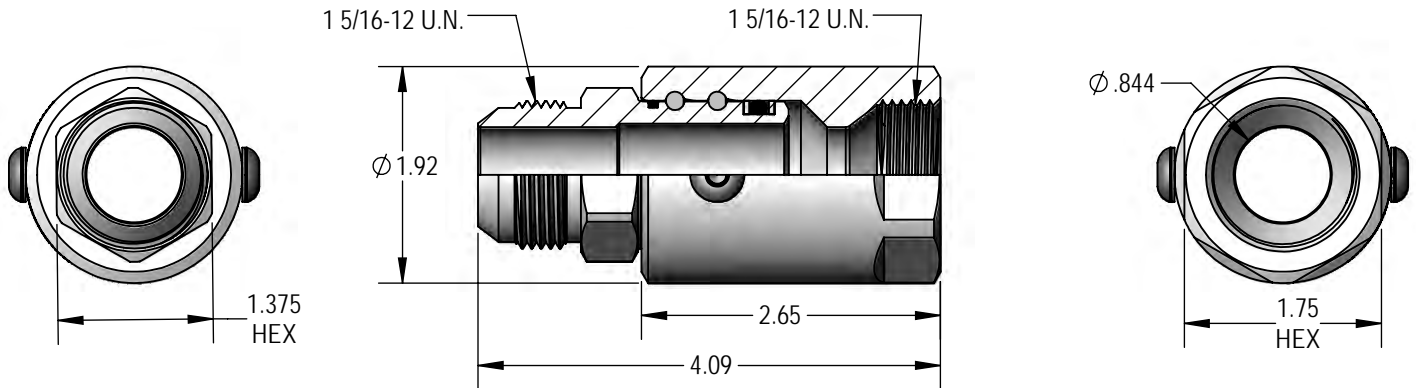


PART NUMBER  
SS 12 DB MI 12 X MI 12

MAXIMUM P.S.I.G.  
5,000

Not Available  
In Stainless Steel!

# 16 Male J.I.C. (37°) X Female J.I.C. (37°)



PART NUMBER  
SS 16 DB MJ 16 X FJ 16

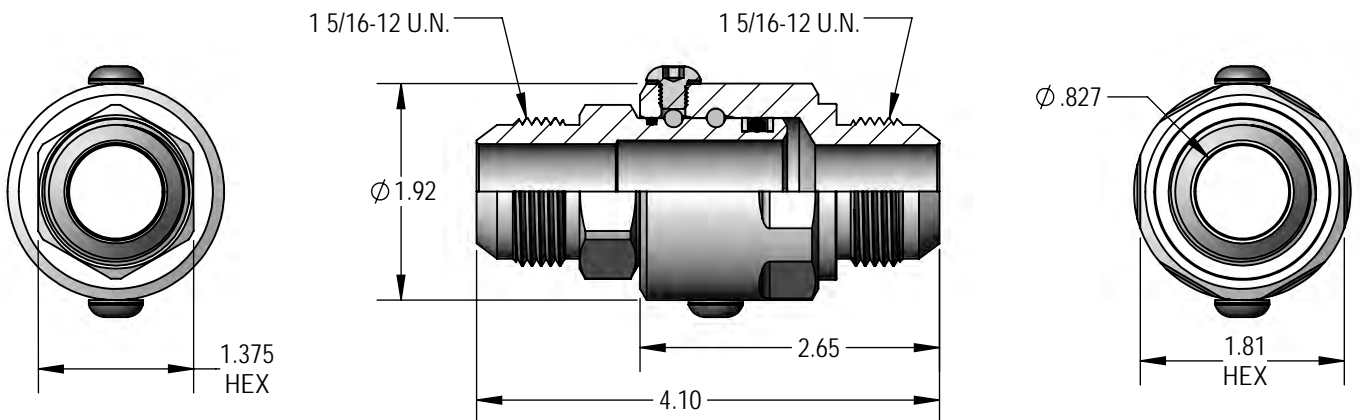
MAXIMUM P.S.I.G.  
4,500

Not Available  
In Stainless Steel!

*Heavy-Duty  
Multiple Bearing Race*



# 16 Male J.I.C. (37°) X Male J.I.C. (37°)

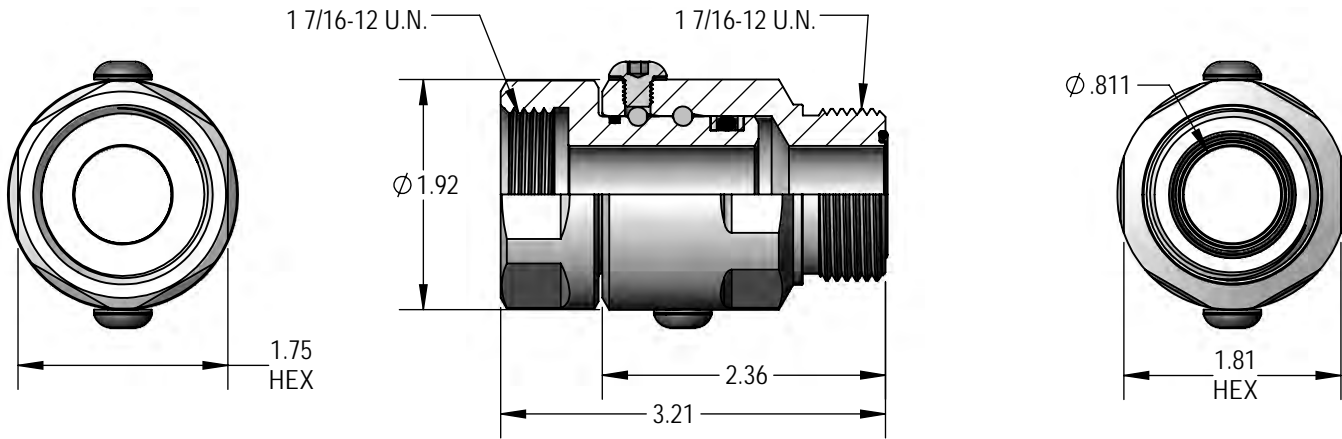


PART NUMBER  
SS 16 DB MJ 16 X MJ 16

MAXIMUM P.S.I.G.  
4,500

Not Available  
In Stainless Steel!

# 16 Female Face Seal (F.F.S.) X Male Face Seal (M.F.S.)



PART NUMBER  
SS 16 DB FFS 16 X MFS 16

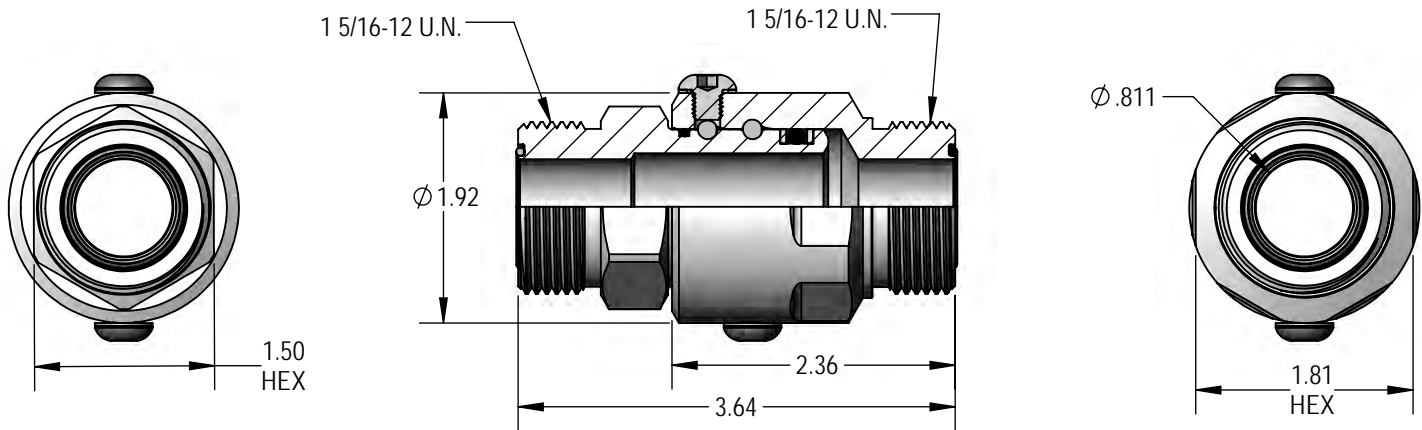
MAXIMUM P.S.I.G.  
4,500

Not Available  
In Stainless Steel!

*Heavy-Duty  
Multiple Bearing Race*



# 16 Male Face Seal (M.F.S.) X Male Face Seal (M.F.S.)

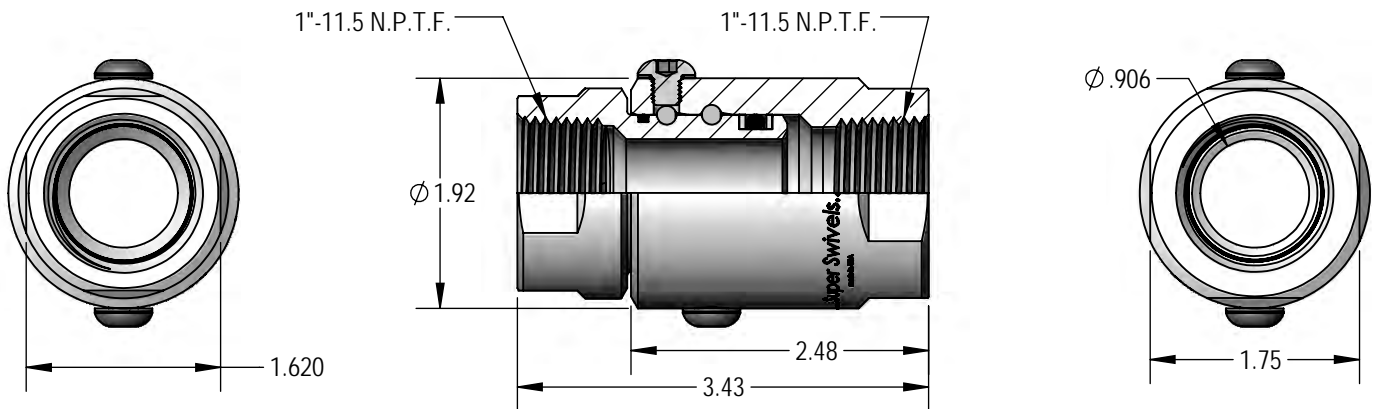


PART NUMBER  
SS 16 DB MFS 16 X MFS 16

MAXIMUM P.S.I.G.  
4,500

Not Available  
In Stainless Steel!

# 16 Female Pipe (N.P.T.F) X Female Pipe (N.P.T.F)



PART NUMBER  
SS 16 DB FP 100 X FP 100

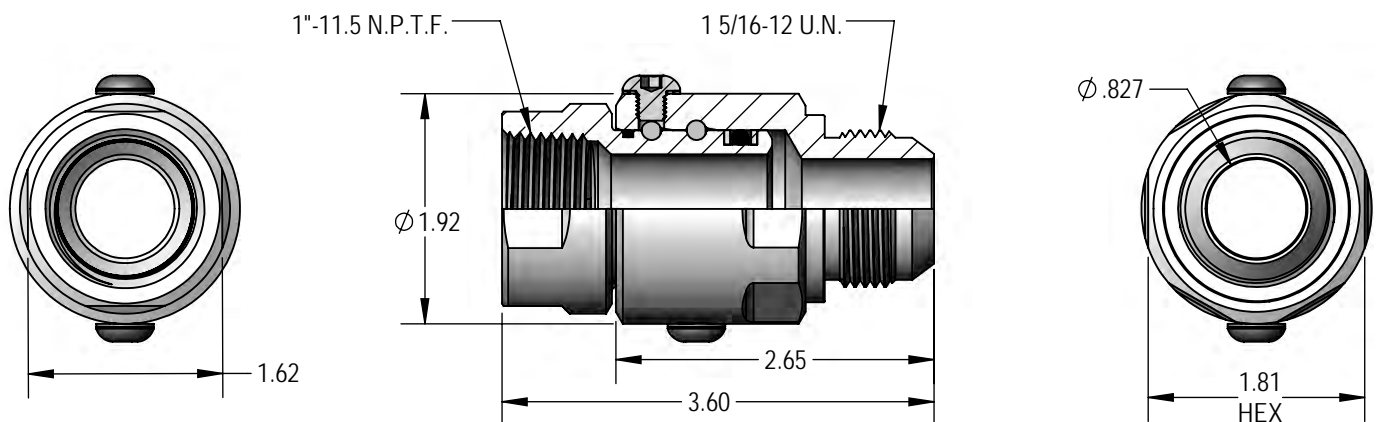
MAXIMUM P.S.I.G.  
4,500

Not Available  
In Stainless Steel!

*Heavy-Duty  
Multiple Bearing Race*



# 16 Female Pipe (N.P.T.F) X Male J.I.C. (37°)

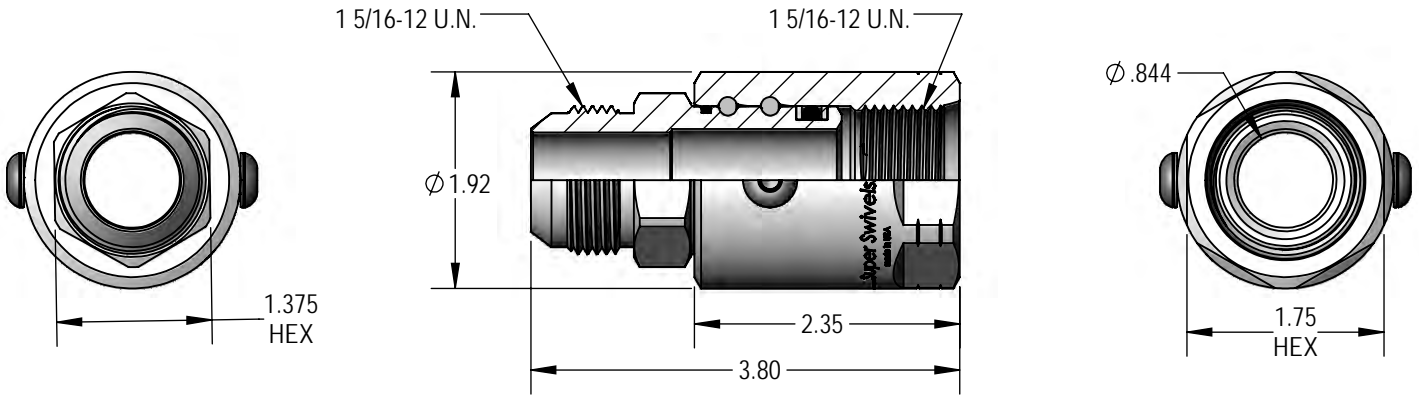


PART NUMBER  
SS 16 DB FP 100 X MJ 16

MAXIMUM P.S.I.G.  
4,500

Not Available  
In Stainless Steel!

# 16 Male J.I.C. (37°) X Female O-Ring (O.R.B.)



PART NUMBER  
SS 16 DB MJ 16 X FO 16

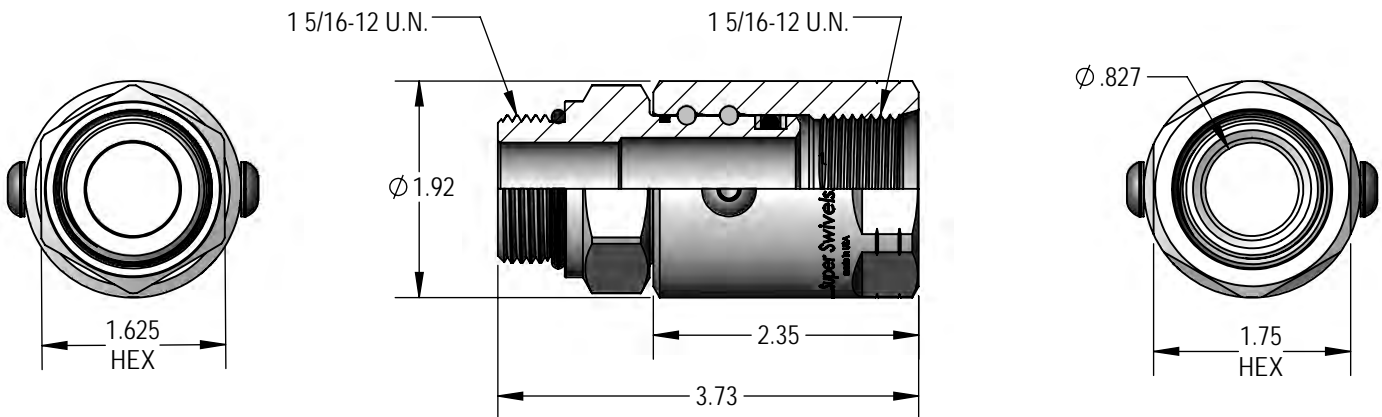
MAXIMUM P.S.I.G.  
4,500

Not Available  
In Stainless Steel!

*Heavy-Duty  
Multiple Bearing Race*



# 16 Male O-Ring (O.R.B.) X Female O-Ring (O.R.B.)

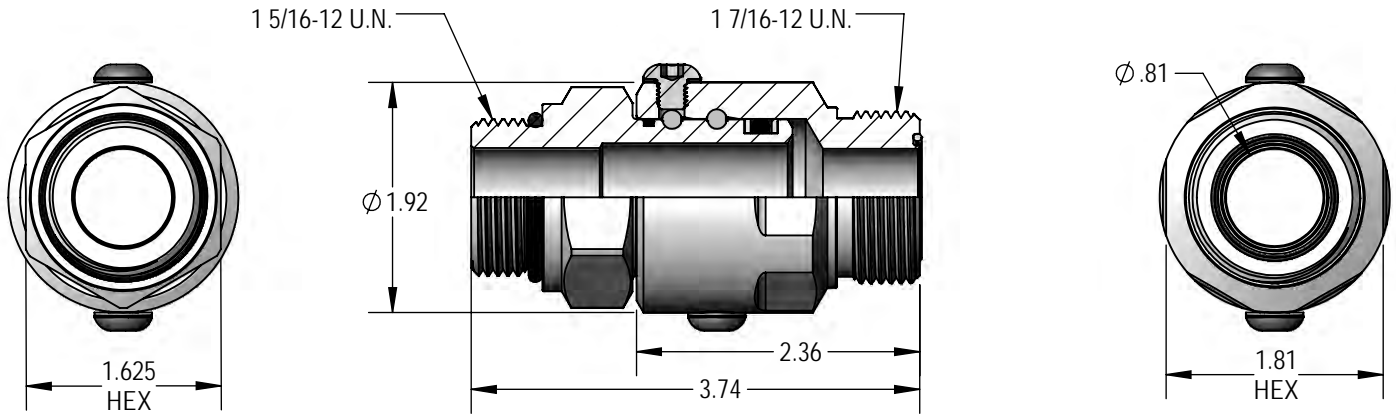


PART NUMBER  
SS 16 DB MQ 16 X FO 16

MAXIMUM P.S.I.G.  
4,500

Not Available  
In Stainless Steel!

# 16 Male O-Ring (O.R.B.) X Male Face Seal (M.F.S.)



PART NUMBER  
SS 16 DB MO 16 X MFS 16

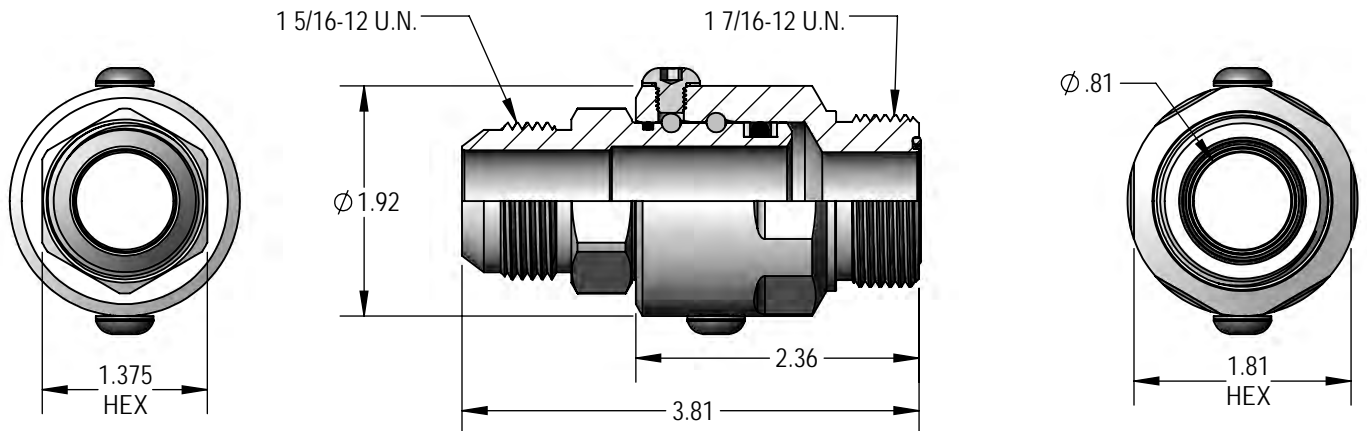
MAXIMUM P.S.I.G.  
4,500

Not Available  
In Stainless Steel!

*Heavy-Duty  
Multiple Bearing Race*



# 16 Male J.I.C. (37°) X Male Face Seal (M.F.S.)

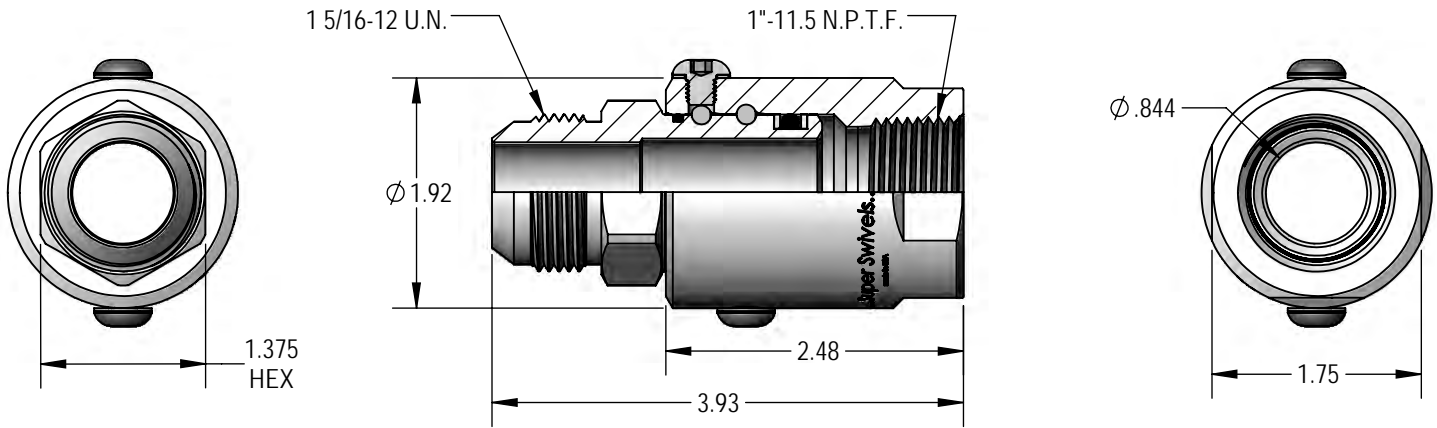


PART NUMBER  
SS 16 DB MJ 16 X MFS 16

MAXIMUM P.S.I.G.  
4,500

Not Available  
In Stainless Steel!

# 16 Male J.I.C. (37°) X Female Pipe (N.P.T.F.)



PART NUMBER  
SS 16 DB MJ 16 X FP 100

MAXIMUM P.S.I.G.  
4,500

Not Available  
In Stainless Steel!

*Heavy-Duty  
Multiple Bearing Race*

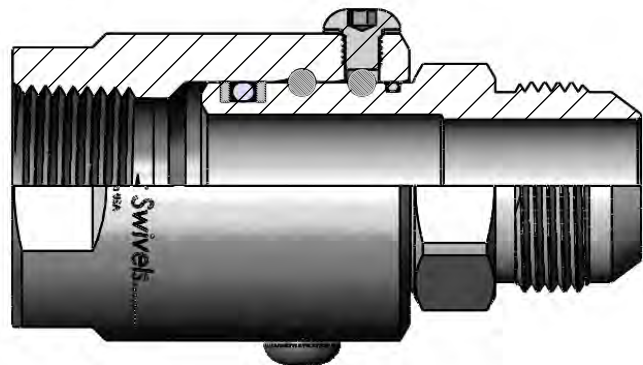


For heavy-duty applications Super-Duty-Swivels™ offer a multiple bearing race design for superior side load strength and added load bearing support.

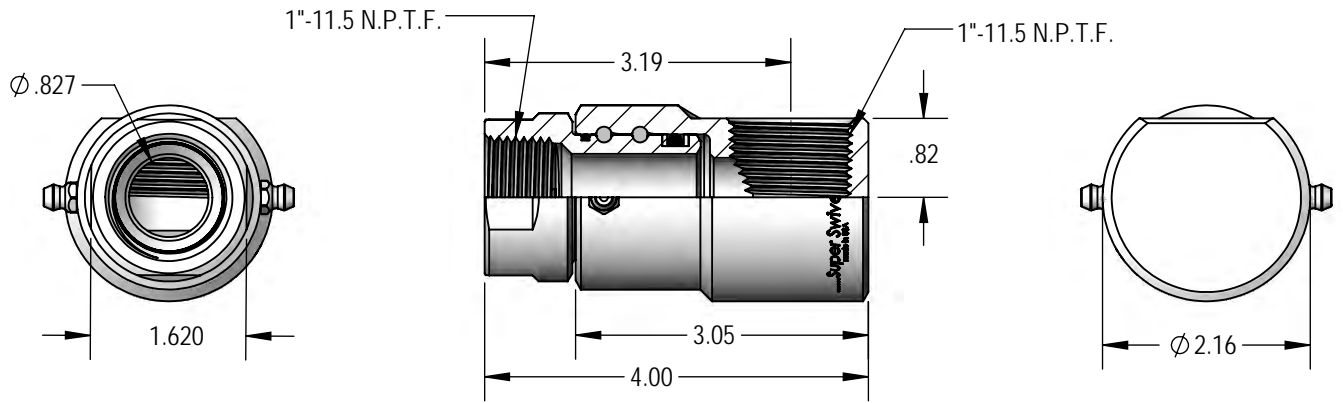
The inner and outer race for the ball bearings is integrally designed and machined within tight tolerances into the hardened metal of the male stem and female body, providing a rigid track for the balls to roll freely, yet securely.

Super-Duty-Swivels superior design, construction and seals allow for higher maximum pressure ratings than others, even in 90° configuration.

## *Multiple Bearing Race*



# 16 Female Pipe (N.P.T.F.) X Female Pipe (N.P.T.F.)



PART NUMBER  
9 SS 16 DB FP 100 X FP 100

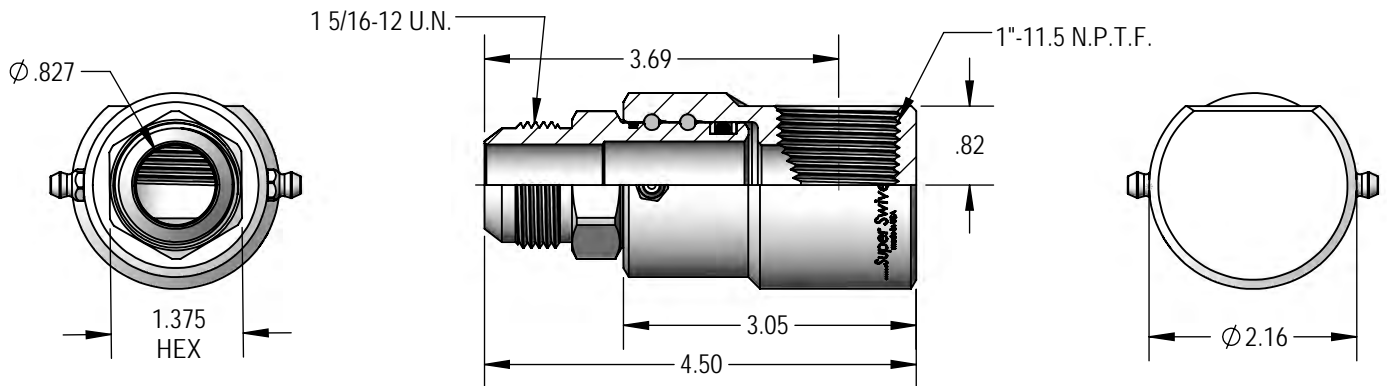
MAXIMUM P.S.I.G.  
4,500

Not Available  
In Stainless Steel!

*Heavy-Duty  
Multiple Bearing Race*



# 16 Male J.I.C. (37°) X Female Pipe (N.P.T.F.)



PART NUMBER  
9 SS 16 DB MJ 16 X FP 100

MAXIMUM P.S.I.G.  
4,500

Not Available  
In Stainless Steel!

**ITEM # - DESCRIPTION**

**This Item Number Cross Reference**

is sorted by:

- Page Number
  - then Item Number/Size.
- Visit our website to download this list, or sorted by- Description, or by- Item #.

[Inline Male Pipe \(N.P.T.F.\)](#) **PAGE 13**  
[X Male Pipe \(N.P.T.F.\)](#)

- 2700 - SS4MP25XMP25-Z-V
- 2701 - SS4MP25XMP25-Z-AL
- 2702 - SS4MP25XMP25-Z-PFA
- 2703 - SS4MP25XMP25-NI-V
- 2704 - SS4MP25XMP25-NI-AL
- 2705 - SS4MP25XMP25-NI-PFA

- 2780 - SS4MP38XMP38-Z-V
- 2781 - SS4MP38XMP38-Z-AL
- 2782 - SS4MP38XMP38-Z-PFA
- 2783 - SS4MP38XMP38-NI-V
- 2784 - SS4MP38XMP38-NI-AL
- 2785 - SS4MP38XMP38-NI-PFA

[Inline Female Pipe \(N.P.T.F.\)](#) **PAGE 14**  
[X Female Pipe \(N.P.T.F.\)](#)

- 1090 - SS2FP12.5XFP12.5-Z-V
- 1091 - SS2FP12.5XFP12.5-Z-AL
- 1092 - N/A
- 1093 - SS2FP12.5XFP12.5-NI-V
- 1094 - SS2FP12.5XFP12.5-NI-AL
- 1095 - N/A

- 1000 - SS4FP25XFP25-Z-V
- 1001 - SS4FP25XFP25-Z-AL
- 1002 - SS4FP25XFP25-Z-PFA
- 1003 - SS4FP25XFP25-NI-V
- 1004 - SS4FP25XFP25-NI-AL
- 1005 - SS4FP25XFP25-NI-PFA
- 1006 - SS4FP25XFP25-440-AL
- 1007 - SS4FP25XFP25-440-PFA

- 1010 - SS8FP38XFP38-Z-V
- 1011 - SS8FP38XFP38-Z-AL
- 1012 - SS8FP38XFP38-Z-PFA
- 1013 - SS8FP38XFP38-NI-V
- 1014 - SS8FP38XFP38-NI-AL
- 1015 - SS8FP38XFP38-NI-PFA
- 1016 - SS8FP38XFP38-440-AL
- 1017 - SS8FP38XFP38-440-PFA

- 1020 - SS8FP50XFP50-Z-V
- 1021 - SS8FP50XFP50-Z-AL
- 1022 - SS8FP50XFP50-Z-PFA
- 1023 - SS8FP50XFP50-NI-V
- 1024 - SS8FP50XFP50-NI-AL
- 1025 - SS8FP50XFP50-NI-PFA
- 1026 - SS8FP50XFP50-440-AL
- 1027 - SS8FP50XFP50-440-PFA

- 1030 - SS12FP75XFP75-Z-V
- 1031 - SS12FP75XFP75-Z-AL
- 1032 - SS12FP75XFP75-Z-PFA
- 1033 - SS12FP75XFP75-NI-V
- 1034 - SS12FP75XFP75-NI-AL
- 1035 - SS12FP75XFP75-NI-PFA
- 1036 - SS12FP75XFP75-440-AL
- 1037 - SS12FP75XFP75-440-PFA

- 1040 - SS16FP100XFP100-Z-V
- 1041 - SS16FP100XFP100-Z-AL
- 1042 - SS16FP100XFP100-Z-PFA
- 1043 - SS16FP100XFP100-NI-V
- 1044 - SS16FP100XFP100-NI-AL
- 1045 - SS16FP100XFP100-NI-PFA

**ITEM # - DESCRIPTION**

- 1050 - SS20FP125XFP125-Z-V
- 1051 - SS20FP125XFP125-Z-AL
- 1052 - SS20FP125XFP125-Z-PFA
- 1053 - SS20FP125XFP125-NI-V
- 1054 - SS20FP125XFP125-NI-AL
- 1055 - SS20FP125XFP125-NI-PFA
- 1056 - SS20FP125XFP125-440-AL
- 1057 - SS20FP125XFP125-440-PFA

- 1063 - SS24FP150XFP150-NI-V
- 1064 - SS24FP150XFP150-NI-AL
- 1065 - SS24FP150XFP150-NI-PFA
- 1066 - SS24FP150XFP150-440-AL
- 1067 - SS24FP150XFP150-440-PFA

- 1073 - SS32FP200XFP200-NI-V
- 1074 - SS32FP200XFP200-NI-AL
- 1075 - SS32FP200XFP200-NI-PFA
- 1076 - SS32FP200XFP200-440-AL
- 1077 - SS32FP200XFP200-440-PFA

- 1083 - SS40FP250XFP250-NI-V
- 1084 - SS40FP250XFP250-NI-AL
- 1085 - SS40FP250XFP250-NI-PFA

[Inline Male Pipe \(N.P.T.F.\)](#) **PAGE 14**  
[X Female Pipe \(N.P.T.F.\)](#)

- 1280 - SS2MP12.5XFP12.5-Z-V
- 1281 - SS2MP12.5XFP12.5-Z-AL
- 1282 - N/A
- 1283 - SS2MP12.5XFP12.5-NI-V
- 1284 - SS2MP12.5XFP12.5-NI-AL
- 1285 - N/A

- 1200 - SS4MP25XFP25-Z-V
- 1201 - SS4MP25XFP25-Z-AL
- 1202 - SS4MP25XFP25-Z-PFA
- 1203 - SS4MP25XFP25-NI-V
- 1204 - SS4MP25XFP25-NI-AL
- 1205 - SS4MP25XFP25-NI-PFA
- 1206 - SS4MP25XFP25-440-AL
- 1207 - SS4MP25XFP25-440-PFA

- 1210 - SS8MP38XFP38-Z-V
- 1211 - SS8MP38XFP38-Z-AL
- 1212 - SS8MP38XFP38-Z-PFA
- 1213 - SS8MP38XFP38-NI-V
- 1214 - SS8MP38XFP38-NI-AL
- 1215 - SS8MP38XFP38-NI-PFA
- 1216 - SS8MP38XFP38-440-AL
- 1217 - SS8MP38XFP38-440-PFA

- 1220 - SS8MP50XFP50-Z-V
- 1221 - SS8MP50XFP50-Z-AL
- 1222 - SS8MP50XFP50-Z-PFA
- 1223 - SS8MP50XFP50-NI-V
- 1224 - SS8MP50XFP50-NI-AL
- 1225 - SS8MP50XFP50-NI-PFA
- 1226 - SS8MP50XFP50-440-AL
- 1227 - SS8MP50XFP50-440-PFA

- 1230 - SS12MP75XFP75-Z-V
- 1231 - SS12MP75XFP75-Z-AL
- 1232 - SS12MP75XFP75-Z-PFA
- 1233 - SS12MP75XFP75-NI-V
- 1234 - SS12MP75XFP75-NI-AL
- 1235 - SS12MP75XFP75-NI-PFA
- 1236 - SS12MP75XFP75-440-AL
- 1237 - SS12MP75XFP75-440-PFA

- 1240 - SS16MP100XFP100-Z-V
- 1241 - SS16MP100XFP100-Z-AL
- 1242 - SS16MP100XFP100-Z-PFA
- 1243 - SS16MP100XFP100-NI-V
- 1244 - SS16MP100XFP100-NI-AL
- 1245 - SS16MP100XFP100-NI-PFA
- 1246 - SS16MP100XFP100-440-AL
- 1247 - SS16MP100XFP100-440-PFA

- 1250 - SS20MP125XFP125-Z-V
- 1251 - SS20MP125XFP125-Z-AL
- 1252 - SS20MP125XFP125-Z-PFA
- 1253 - SS20MP125XFP125-NI-V
- 1254 - SS20MP125XFP125-NI-AL
- 1255 - SS20MP125XFP125-NI-PFA

**ITEM # - DESCRIPTION**

- 1263 - SS24MP150XFP150-NI-V
- 1264 - SS24MP150XFP150-NI-AL
- 1265 - SS24MP150XFP150-NI-PFA
- 1266 - SS24MP150XFP150-440-AL
- 1267 - SS24MP150XFP150-440-PFA

- 1273 - SS32MP200XFP200-NI-V
- 1274 - SS32MP200XFP200-NI-AL
- 1275 - SS32MP200XFP200-NI-PFA
- 1276 - SS32MP200XFP200-440-AL
- 1277 - SS32MP200XFP200-440-PFA

[Inline Male \(J.I.C.\)](#) **PAGE 15**  
[X Female Pipe \(N.P.T.F.\)](#)

- 1100 - SS4MJ6XFP25-Z-V
- 1101 - SS4MJ6XFP25-Z-AL
- 1102 - SS4MJ6XFP25-Z-PFA
- 1103 - SS4MJ6XFP25-NI-V
- 1104 - SS4MJ6XFP25-NI-AL
- 1105 - SS4MJ6XFP25-NI-PFA

- 1110 - SS8MJ8XFP38-Z-V
- 1111 - SS8MJ8XFP38-Z-AL
- 1112 - SS8MJ8XFP38-Z-PFA
- 1113 - SS8MJ8XFP38-NI-V
- 1114 - SS8MJ8XFP38-NI-AL
- 1115 - SS8MJ8XFP38-NI-PFA

- 1120 - SS8MJ8XFP50-Z-V
- 1121 - SS8MJ8XFP50-Z-AL
- 1122 - SS8MJ8XFP50-Z-PFA
- 1123 - SS8MJ8XFP50-NI-V
- 1124 - SS8MJ8XFP50-NI-AL
- 1125 - SS8MJ8XFP50-NI-PFA

- 1130 - SS8MJ10XFP50-Z-V
- 1131 - SS8MJ10XFP50-Z-AL
- 1132 - SS8MJ10XFP50-Z-PFA
- 1133 - SS8MJ10XFP50-NI-V
- 1134 - SS8MJ10XFP50-NI-AL
- 1135 - SS8MJ10XFP50-NI-PFA

- 1140 - SS12MJ12XFP75-Z-V
- 1141 - SS12MJ12XFP75-Z-AL
- 1142 - SS12MJ12XFP75-Z-PFA
- 1143 - SS12MJ12XFP75-NI-V
- 1144 - SS12MJ12XFP75-NI-AL
- 1145 - SS12MJ12XFP75-NI-PFA

- 1150 - SS16MJ16XFP100-Z-V
- 1151 - SS16MJ16XFP100-Z-AL
- 1152 - SS16MJ16XFP100-Z-PFA
- 1153 - SS16MJ16XFP100-NI-V
- 1154 - SS16MJ16XFP100-NI-AL
- 1155 - SS16MJ16XFP100-NI-PFA

- 1160 - SS20MJ20XFP125-Z-V
- 1161 - SS20MJ20XFP125-Z-AL
- 1162 - SS20MJ20XFP125-Z-PFA
- 1163 - SS20MJ20XFP125-NI-V
- 1164 - SS20MJ20XFP125-NI-AL
- 1165 - SS20MJ20XFP125-NI-PFA

- 1173 - SS24MJ24XFP150-NI-V
- 1174 - SS24MJ24XFP150-NI-AL
- 1175 - SS24MJ24XFP150-NI-PFA

[Inline Male \(J.I.C.\)](#) **PAGE 15**  
[X Female \(J.I.C.\)](#)

- 1370 - SS4MJ4XFJ4-Z-V
- 1371 - SS4MJ4XFJ4-Z-AL
- 1372 - SS4MJ4XFJ4-Z-PFA
- 1373 - SS4MJ4XFJ4-NI-V
- 1374 - SS4MJ4XFJ4-NI-AL
- 1375 - SS4MJ4XFJ4-NI-PFA

- 1380 - SS4MJ5XFJ5-Z-V
- 1381 - SS4MJ5XFJ5-Z-AL
- 1382 - SS4MJ5XFJ5-Z-PFA
- 1383 - SS4MJ5XFJ5-NI-V
- 1384 - SS4MJ5XFJ5-NI-AL
- 1385 - SS4MJ5XFJ5-NI-PFA

- 1300 - SS4MJ6XFJ6-Z-V

**ITEM # - DESCRIPTION**

- 1303 - SS4MJ6XFJ6-NI-V
- 1304 - SS4MJ6XFJ6-NI-AL
- 1305 - SS4MJ6XFJ6-NI-PFA

- 1310 - SS8MJ8XFJ8-Z-V
- 1311 - SS8MJ8XFJ8-Z-AL
- 1312 - SS8MJ8XFJ8-Z-PFA
- 1313 - SS8MJ8XFJ8-NI-V
- 1314 - SS8MJ8XFJ8-NI-AL
- 1315 - SS8MJ8XFJ8-NI-PFA

- 1320 - SS8MJ10XFJ10-Z-V
- 1321 - SS8MJ10XFJ10-Z-AL
- 1322 - SS8MJ10XFJ10-Z-PFA
- 1323 - SS8MJ10XFJ10-NI-V
- 1324 - SS8MJ10XFJ10-NI-AL
- 1325 - SS8MJ10XFJ10-NI-PFA

- 1330 - SS12MJ12XFJ12-Z-V
- 1331 - SS12MJ12XFJ12-Z-AL
- 1332 - SS12MJ12XFJ12-Z-PFA
- 1333 - SS12MJ12XFJ12-NI-V
- 1334 - SS12MJ12XFJ12-NI-AL
- 1335 - SS12MJ12XFJ12-NI-PFA

- 1340 - SS16MJ16XFJ16-Z-V
- 1341 - SS16MJ16XFJ16-Z-AL
- 1342 - SS16MJ16XFJ16-Z-PFA
- 1343 - SS16MJ16XFJ16-NI-V
- 1344 - SS16MJ16XFJ16-NI-AL
- 1345 - SS16MJ16XFJ16-NI-PFA

- 1350 - SS20MJ20XFJ20-Z-V
- 1351 - SS20MJ20XFJ20-Z-AL
- 1352 - SS20MJ20XFJ20-Z-PFA
- 1353 - SS20MJ20XFJ20-NI-V
- 1354 - SS20MJ20XFJ20-NI-AL
- 1355 - SS20MJ20XFJ20-NI-PFA

- 1363 - SS24MJ24XFJ24-NI-V
- 1364 - SS24MJ24XFJ24-NI-AL
- 1365 - SS24MJ24XFJ24-NI-PFA

[Inline Male \(O.R.B.\)](#) **PAGE 16**  
[X Female Pipe \(N.P.T.F.\)](#)

- 1400 - SS4M06XFP25-Z-V
- 1401 - SS4M06XFP25-Z-AL
- 1402 - SS4M06XFP25-Z-PFA
- 1403 - SS4M06XFP25-NI-V
- 1404 - SS4M06XFP25-NI-AL
- 1405 - SS4M06XFP25-NI-PFA

- 1410 - SS8M08XFP38-Z-V
- 1411 - SS8M08XFP38-Z-AL
- 1412 - SS8M08XFP38-Z-PFA
- 1413 - SS8M08XFP38-NI-V
- 1414 - SS8M08XFP38-NI-AL
- 1415 - SS8M08XFP38-NI-PFA

- 1420 - SS8M10XFP38-Z-V
- 1421 - SS8M10XFP38-Z-AL
- 1422 - SS8M10XFP38-Z-PFA
- 1423 - SS8M10XFP38-NI-V
- 1424 - SS8M10XFP38-NI-AL
- 1425 - SS8M10XFP38-NI-PFA

- 1430 - SS8M08XFP50-Z-V
- 1431 - SS8M08XFP50-Z-AL
- 1432 - SS8M08XFP50-Z-PFA
- 1433 - SS8M08XFP50-NI-V
- 1434 - SS8M08XFP50-NI-AL
- 1435 - SS8M08XFP50-NI-PFA

- 1440 - SS8M10XFP50-Z-V
- 1441 - SS8M10XFP50-Z-AL
- 1442 - SS8M10XFP50-Z-PFA
- 1443 - SS8M10XFP50-NI-V
- 1444 - SS8M10XFP50-NI-AL
- 1445 - SS8M10XFP50-NI-PFA

- 1450 - SS12M12XFP75-Z-V
- 1451 - SS12M12XFP75-Z-AL
- 1452 - SS12M12XFP75-Z-PFA
- 1453 - SS12M12XFP75-NI-V
- 1454 - SS12M12XFP75-NI-AL

**ITEM # - DESCRIPTION**

1460 - SS16MO16XFP100-Z-V  
 1461 - SS16MO16XFP100-Z-AL  
 1462 - SS16MO16XFP100-Z-PFA  
 1463 - SS16MO16XFP100-Ni-V  
 1464 - SS16MO16XFP100-Ni-AL  
 1465 - SS16MO16XFP100-Ni-PFA

1470 - SS20MO20XFP125-Z-V  
 1471 - SS20MO20XFP125-Z-AL  
 1472 - SS20MO20XFP125-Z-PFA  
 1473 - SS20MO20XFP125-Ni-V  
 1474 - SS20MO20XFP125-Ni-AL  
 1475 - SS20MO20XFP125-Ni-PFA

1483 - SS24MO24XFP150-Ni-V  
 1484 - SS24MO24XFP150-Ni-AL  
 1485 - SS24MO24XFP150-Ni-PFA

**Inline Male Bulkhead (J.I.C.)  
 X Female (J.I.C.)**

**PAGE 16**

1500 - SS4MJB6XFJ6-Z-V  
 1501 - SS4MJB6XFJ6-Z-AL  
 1502 - SS4MJB6XFJ6-Z-PFA  
 1503 - SS4MJB6XFJ6-Ni-V  
 1504 - SS4MJB6XFJ6-Ni-AL  
 1505 - SS4MJB6XFJ6-Ni-PFA

1510 - SS8MJB8XFJ8-Z-V  
 1511 - SS8MJB8XFJ8-Z-AL  
 1512 - SS8MJB8XFJ8-Z-PFA  
 1513 - SS8MJB8XFJ8-Ni-V  
 1514 - SS8MJB8XFJ8-Ni-AL  
 1515 - SS8MJB8XFJ8-Ni-PFA

1520 - SS8MJB10XFJ10-Z-V  
 1521 - SS8MJB10XFJ10-Z-AL  
 1522 - SS8MJB10XFJ10-Z-PFA  
 1523 - SS8MJB10XFJ10-Ni-V  
 1524 - SS8MJB10XFJ10-Ni-AL  
 1525 - SS8MJB10XFJ10-Ni-PFA

1530 - SS12MJB12XFJ12-Z-V  
 1531 - SS12MJB12XFJ12-Z-AL  
 1532 - SS12MJB12XFJ12-Z-PFA  
 1533 - SS12MJB12XFJ12-Ni-V  
 1534 - SS12MJB12XFJ12-Ni-AL  
 1535 - SS12MJB12XFJ12-Ni-PFA

1540 - SS16MJB16XFJ16-Z-V  
 1541 - SS16MJB16XFJ16-Z-AL  
 1542 - SS16MJB16XFJ16-Z-PFA  
 1543 - SS16MJB16XFJ16-Ni-V  
 1544 - SS16MJB16XFJ16-Ni-AL  
 1545 - SS16MJB16XFJ16-Ni-PFA

1550 - SS20MJB20XFJ20-Z-V  
 1551 - SS20MJB20XFJ20-Z-AL  
 1552 - SS20MJB20XFJ20-Z-PFA  
 1553 - SS20MJB20XFJ20-Ni-V  
 1554 - SS20MJB20XFJ20-Ni-AL  
 1555 - SS20MJB20XFJ20-Ni-PFA

**Inline Male Bulkhead (J.I.C.)  
 X Male (J.I.C.)**

**PAGE 17**

1600 - SS4MJB6XJM6-Z-V  
 1601 - SS4MJB6XJM6-Z-AL  
 1602 - SS4MJB6XJM6-Z-PFA  
 1603 - SS4MJB6XJM6-Ni-V  
 1604 - SS4MJB6XJM6-Ni-AL  
 1605 - SS4MJB6XJM6-Ni-PFA

1610 - SS8MJB8XJM8-Z-V  
 1611 - SS8MJB8XJM8-Z-AL  
 1612 - SS8MJB8XJM8-Z-PFA  
 1613 - SS8MJB8XJM8-Ni-V  
 1614 - SS8MJB8XJM8-Ni-AL  
 1615 - SS8MJB8XJM8-Ni-PFA

1620 - SS8MJB10XJM10-Z-V  
 1621 - SS8MJB10XJM10-Z-AL  
 1622 - SS8MJB10XJM10-Z-PFA  
 1623 - SS8MJB10XJM10-Ni-V  
 1624 - SS8MJB10XJM10-Ni-AL  
 1625 - SS8MJB10XJM10-Ni-PFA

**ITEM # - DESCRIPTION**

1630 - SS12MJB12XMJ12-Z-V  
 1631 - SS12MJB12XMJ12-Z-AL  
 1632 - SS12MJB12XMJ12-Z-PFA  
 1633 - SS12MJB12XMJ12-Ni-V  
 1634 - SS12MJB12XMJ12-Ni-AL  
 1635 - SS12MJB12XMJ12-Ni-PFA

1640 - SS16MJB16XMJ16-Z-V  
 1641 - SS16MJB16XMJ16-Z-AL  
 1642 - SS16MJB16XMJ16-Z-PFA  
 1643 - SS16MJB16XMJ16-Ni-V  
 1644 - SS16MJB16XMJ16-Ni-AL  
 1645 - SS16MJB16XMJ16-Ni-PFA

1650 - SS20MJB20XMJ20-Z-V  
 1651 - SS20MJB20XMJ20-Z-AL  
 1652 - SS20MJB20XMJ20-Z-PFA  
 1653 - SS20MJB20XMJ20-Ni-V  
 1654 - SS20MJB20XMJ20-Ni-AL  
 1655 - SS20MJB20XMJ20-Ni-PFA

**Inline Male (O.R.B.)  
 X Male (J.I.C.)**

**PAGE 17**

1780 - SS4MO4XMJ4-Z-V  
 1781 - SS4MO4XMJ4-Z-AL  
 1782 - SS4MO4XMJ4-Z-PFA  
 1783 - SS4MO4XMJ4-Ni-V  
 1784 - SS4MO4XMJ4-Ni-AL  
 1785 - SS4MO4XMJ4-Ni-PFA

1700 - SS4MO6XMJ6-Z-V  
 1701 - SS4MO6XMJ6-Z-AL  
 1702 - SS4MO6XMJ6-Z-PFA  
 1703 - SS4MO6XMJ6-Ni-V  
 1704 - SS4MO6XMJ6-Ni-AL  
 1705 - SS4MO6XMJ6-Ni-PFA

1710 - SS8MO8XMJ8-Z-V  
 1711 - SS8MO8XMJ8-Z-AL  
 1712 - SS8MO8XMJ8-Z-PFA  
 1713 - SS8MO8XMJ8-Ni-V  
 1714 - SS8MO8XMJ8-Ni-AL  
 1715 - SS8MO8XMJ8-Ni-PFA

1720 - SS8MO8XMJ10-Z-V  
 1721 - SS8MO8XMJ10-Z-AL  
 1722 - SS8MO8XMJ10-Z-PFA  
 1723 - SS8MO8XMJ10-Ni-V  
 1724 - SS8MO8XMJ10-Ni-AL  
 1725 - SS8MO8XMJ10-Ni-PFA

1730 - SS8MO10XMJ8-Z-V  
 1731 - SS8MO10XMJ8-Z-AL  
 1732 - SS8MO10XMJ8-Z-PFA  
 1733 - SS8MO10XMJ8-Ni-V  
 1734 - SS8MO10XMJ8-Ni-AL  
 1735 - SS8MO10XMJ8-Ni-PFA

1740 - SS8MO10XMJ10-Z-V  
 1741 - SS8MO10XMJ10-Z-AL  
 1742 - SS8MO10XMJ10-Z-PFA  
 1743 - SS8MO10XMJ10-Ni-V  
 1744 - SS8MO10XMJ10-Ni-AL  
 1745 - SS8MO10XMJ10-Ni-PFA

1750 - SS12MO12XMJ12-Z-V  
 1751 - SS12MO12XMJ12-Z-AL  
 1752 - SS12MO12XMJ12-Z-PFA  
 1753 - SS12MO12XMJ12-Ni-V  
 1754 - SS12MO12XMJ12-Ni-AL  
 1755 - SS12MO12XMJ12-Ni-PFA

1760 - SS16MO16XMJ16-Z-V  
 1761 - SS16MO16XMJ16-Z-AL  
 1762 - SS16MO16XMJ16-Z-PFA  
 1763 - SS16MO16XMJ16-Ni-V  
 1764 - SS16MO16XMJ16-Ni-AL  
 1765 - SS16MO16XMJ16-Ni-PFA

1770 - SS20MO20XMJ20-Z-V  
 1771 - SS20MO20XMJ20-Z-AL  
 1772 - SS20MO20XMJ20-Z-PFA  
 1773 - SS20MO20XMJ20-Ni-V  
 1774 - SS20MO20XMJ20-Ni-AL  
 1775 - SS20MO20XMJ20-Ni-PFA

**ITEM # - DESCRIPTION**

**Inline Male Pipe (N.P.T.F.)  
 X Male (J.I.C.)**

**PAGE 18**

1800 - SS4MP25XJM6-Z-V  
 1801 - SS4MP25XJM6-Z-AL  
 1802 - SS4MP25XJM6-Z-PFA  
 1803 - SS4MP25XJM6-Ni-V  
 1804 - SS4MP25XJM6-Ni-AL  
 1805 - SS4MP25XJM6-Ni-PFA

1880 - SS4MP38XJM6-Z-V  
 1881 - SS4MP38XJM6-Z-AL  
 1882 - SS4MP38XJM6-Z-PFA  
 1883 - SS4MP38XJM6-Ni-V  
 1884 - SS4MP38XJM6-Ni-AL  
 1885 - SS4MP38XJM6-Ni-PFA

1810 - SS8MP38XJM8-Z-V  
 1811 - SS8MP38XJM8-Z-AL  
 1812 - SS8MP38XJM8-Z-PFA  
 1813 - SS8MP38XJM8-Ni-V  
 1814 - SS8MP38XJM8-Ni-AL  
 1815 - SS8MP38XJM8-Ni-PFA

1820 - SS8MP38XMJ10-Z-V  
 1821 - SS8MP38XMJ10-Z-AL  
 1822 - SS8MP38XMJ10-Z-PFA  
 1823 - SS8MP38XMJ10-Ni-V  
 1824 - SS8MP38XMJ10-Ni-AL  
 1825 - SS8MP38XMJ10-Ni-PFA

1830 - SS8MP50XJM8-Z-V  
 1831 - SS8MP50XJM8-Z-AL  
 1832 - SS8MP50XJM8-Z-PFA  
 1833 - SS8MP50XJM8-Ni-V  
 1834 - SS8MP50XJM8-Ni-AL  
 1835 - SS8MP50XJM8-Ni-PFA

1840 - SS8MP50XMJ10-Z-V  
 1841 - SS8MP50XMJ10-Z-AL  
 1842 - SS8MP50XMJ10-Z-PFA  
 1843 - SS8MP50XMJ10-Ni-V  
 1844 - SS8MP50XMJ10-Ni-AL  
 1845 - SS8MP50XMJ10-Ni-PFA

1850 - SS12MP75XMJ12-Z-V  
 1851 - SS12MP75XMJ12-Z-AL  
 1852 - SS12MP75XMJ12-Z-PFA  
 1853 - SS12MP75XMJ12-Ni-V  
 1854 - SS12MP75XMJ12-Ni-AL  
 1855 - SS12MP75XMJ12-Ni-PFA

1860 - SS16MP100XMJ16-Z-V  
 1861 - SS16MP100XMJ16-Z-AL  
 1862 - SS16MP100XMJ16-Z-PFA

1863 - SS16MP100XMJ16-Ni-V  
 1864 - SS16MP100XMJ16-Ni-AL  
 1865 - SS16MP100XMJ16-Ni-PFA

1870 - SS20MP125XMJ20-Z-V  
 1871 - SS20MP125XMJ20-Z-AL  
 1872 - SS20MP125XMJ20-Z-PFA  
 1873 - SS20MP125XMJ20-Ni-V  
 1874 - SS20MP125XMJ20-Ni-AL  
 1875 - SS20MP125XMJ20-Ni-PFA

**Inline Male (J.I.C.)  
 X Male (J.I.C.)**

**PAGE 18**

1960 - SS4MJ4XMJ4-Z-V  
 1961 - SS4MJ4XMJ4-Z-AL  
 1962 - SS4MJ4XMJ4-Z-PFA  
 1963 - SS4MJ4XMJ4-Ni-V  
 1964 - SS4MJ4XMJ4-Ni-AL  
 1965 - SS4MJ4XMJ4-Ni-PFA

1900 - SS4MJ6XMJ6-Z-V  
 1901 - SS4MJ6XMJ6-Z-AL  
 1902 - SS4MJ6XMJ6-Z-PFA  
 1903 - SS4MJ6XMJ6-Ni-V  
 1904 - SS4MJ6XMJ6-Ni-AL  
 1905 - SS4MJ6XMJ6-Ni-PFA

1910 - SS8MJ8XJM8-Z-V  
 1911 - SS8MJ8XJM8-Z-AL

**ITEM # - DESCRIPTION**

1913 - SS8MJ8XJM8-Ni-V  
 1914 - SS8MJ8XJM8-Ni-AL  
 1915 - SS8MJ8XJM8-Ni-PFA

1920 - SS8MJ10XJM10-Z-V  
 1921 - SS8MJ10XJM10-Z-AL  
 1922 - SS8MJ10XJM10-Z-PFA  
 1923 - SS8MJ10XJM10-Ni-V  
 1924 - SS8MJ10XJM10-Ni-AL  
 1925 - SS8MJ10XJM10-Ni-PFA

1930 - SS12MJ12XMJ12-Z-V  
 1931 - SS12MJ12XMJ12-Z-AL  
 1932 - SS12MJ12XMJ12-Z-PFA  
 1933 - SS12MJ12XMJ12-Ni-V  
 1934 - SS12MJ12XMJ12-Ni-AL  
 1935 - SS12MJ12XMJ12-Ni-PFA

1940 - SS16MJ16XMJ16-Z-V  
 1941 - SS16MJ16XMJ16-Z-AL  
 1942 - SS16MJ16XMJ16-Z-PFA  
 1943 - SS16MJ16XMJ16-Ni-V  
 1944 - SS16MJ16XMJ16-Ni-AL  
 1945 - SS16MJ16XMJ16-Ni-PFA

1950 - SS20MJ20XMJ20-Z-V  
 1951 - SS20MJ20XMJ20-Z-AL  
 1952 - SS20MJ20XMJ20-Z-PFA  
 1953 - SS20MJ20XMJ20-Ni-V  
 1954 - SS20MJ20XMJ20-Ni-AL  
 1955 - SS20MJ20XMJ20-Ni-PFA

**Inline Male (O.R.B.)  
 X Female (J.I.C.)**

**PAGE 19**

2000 - SS4MO6XFJ6-Z-V  
 2001 - SS4MO6XFJ6-Z-AL  
 2002 - SS4MO6XFJ6-Z-PFA  
 2003 - SS4MO6XFJ6-Ni-V  
 2004 - SS4MO6XFJ6-Ni-AL  
 2005 - SS4MO6XFJ6-Ni-PFA

2010 - SS8MO8XFJ8-Z-V  
 2011 - SS8MO8XFJ8-Z-AL  
 2012 - SS8MO8XFJ8-Z-PFA  
 2013 - SS8MO8XFJ8-Ni-V  
 2014 - SS8MO8XFJ8-Ni-AL  
 2015 - SS8MO8XFJ8-Ni-PFA

2020 - SS8MO10XFJ10-Z-V  
 2021 - SS8MO10XFJ10-Z-AL  
 2022 - SS8MO10XFJ10-Z-PFA  
 2023 - SS8MO10XFJ10-Ni-V  
 2024 - SS8MO10XFJ10-Ni-AL  
 2025 - SS8MO10XFJ10-Ni-PFA

2030 - SS12MO12XFJ12-Z-V  
 2031 - SS12MO12XFJ12-Z-AL  
 2032 - SS12MO12XFJ12-Z-PFA  
 2033 - SS12MO12XFJ12-Ni-V

2040 - SS16MO16XFJ16-Z-V  
 2041 - SS16MO16XFJ16-Z-AL  
 2042 - SS16MO16XFJ16-Z-PFA  
 2043 - SS16MO16XFJ16-Ni-V  
 2044 - SS16MO16XFJ16-Ni-AL  
 2045 - SS16MO16XFJ16-Ni-PFA

2050 - SS20MO20XFJ20-Z-V  
 2051 - SS20MO20XFJ20-Z-AL  
 2052 - SS20MO20XFJ20-Z-PFA  
 2053 - SS20MO20XFJ20-Ni-V  
 2054 - SS20MO20XFJ20-Ni-AL  
 2055 - SS20MO20XFJ20-Ni-PFA

2063 - SS24MO24XFJ24-Ni-V  
 2064 - SS24MO24XFJ24-Ni-AL  
 2065 - SS24MO24XFJ24-Ni-PFA

(V) = Viton  
 (AL) = Aflas  
 (PFA) = PFA Teflon

**ITEM # - DESCRIPTION**

[Inline Female Face Seal \(F.F.S.\)](#) **PAGE 19**  
[X Male Face Seal \(M.F.S.\)](#)

2300 - SS4FFS6XMF6-Z-V  
 2301 - SS4FFS6XMF6-Z-AL  
 2302 - SS4FFS6XMF6-Z-PFA  
 2303 - SS4FFS6XMF6-NI-V  
 2304 - SS4FFS6XMF6-NI-AL  
 2305 - SS4FFS6XMF6-NI-PFA

2310 - SS8FFS8XMF8-Z-V  
 2311 - SS8FFS8XMF8-Z-AL  
 2312 - SS8FFS8XMF8-Z-PFA  
 2313 - SS8FFS8XMF8-NI-V  
 2314 - SS8FFS8XMF8-NI-AL  
 2315 - SS8FFS8XMF8-NI-PFA

2320 - SS8FFS10XMF10-Z-V  
 2321 - SS8FFS10XMF10-Z-AL  
 2322 - SS8FFS10XMF10-Z-PFA  
 2323 - SS8FFS10XMF10-NI-V  
 2324 - SS8FFS10XMF10-NI-AL  
 2325 - SS8FFS10XMF10-NI-PFA

2330 - SS12FFS12XMF12-Z-V  
 2331 - SS12FFS12XMF12-Z-AL  
 2332 - SS12FFS12XMF12-Z-PFA  
 2333 - SS12FFS12XMF12-NI-V  
 2334 - SS12FFS12XMF12-NI-AL  
 2335 - SS12FFS12XMF12-NI-PFA

2340 - SS16FFS16XMF16-Z-V  
 2341 - SS16FFS16XMF16-Z-AL  
 2342 - SS16FFS16XMF16-Z-PFA  
 2343 - SS16FFS16XMF16-NI-V  
 2344 - SS16FFS16XMF16-NI-AL  
 2345 - SS16FFS16XMF16-NI-PFA

2350 - SS20FFS20XMF20-Z-V  
 2351 - SS20FFS20XMF20-Z-AL  
 2352 - SS20FFS20XMF20-Z-PFA  
 2353 - SS20FFS20XMF20-NI-V  
 2354 - SS20FFS20XMF20-NI-AL  
 2355 - SS20FFS20XMF20-NI-PFA

[Inline Male Face Seal \(M.F.S.\)](#) **PAGE 20**  
[X Male Face Seal \(M.F.S.\)](#)

2400 - SS4MFS6XMF6-Z-V  
 2401 - SS4MFS6XMF6-Z-AL  
 2402 - SS4MFS6XMF6-Z-PFA  
 2403 - SS4MFS6XMF6-NI-V  
 2404 - SS4MFS6XMF6-NI-AL  
 2405 - SS4MFS6XMF6-NI-PFA

2410 - SS8MFS8XMF8-Z-V  
 2411 - SS8MFS8XMF8-Z-AL  
 2412 - SS8MFS8XMF8-Z-PFA  
 2413 - SS8MFS8XMF8-NI-V  
 2414 - SS8MFS8XMF8-NI-AL  
 2415 - SS8MFS8XMF8-NI-PFA

2420 - SS8MFS10XMF10-Z-V  
 2421 - SS8MFS10XMF10-Z-AL  
 2422 - SS8MFS10XMF10-Z-PFA  
 2423 - SS8MFS10XMF10-NI-V  
 2424 - SS8MFS10XMF10-NI-AL  
 2425 - SS8MFS10XMF10-NI-PFA

2430 - SS12MFS12XMF12-Z-V  
 2431 - SS12MFS12XMF12-Z-AL  
 2432 - SS12MFS12XMF12-Z-PFA  
 2433 - SS12MFS12XMF12-NI-V  
 2434 - SS12MFS12XMF12-NI-AL  
 2435 - SS12MFS12XMF12-NI-PFA

2440 - SS16MFS16XMF16-Z-V  
 2441 - SS16MFS16XMF16-Z-AL  
 2442 - SS16MFS16XMF16-Z-PFA  
 2443 - SS16MFS16XMF16-NI-V  
 2444 - SS16MFS16XMF16-NI-AL  
 2445 - SS16MFS16XMF16-NI-PFA

**ITEM # - DESCRIPTION**

[Inline Male \(O.R.B.\)](#) **PAGE 20**  
[X Male Face Seal \(M.F.S.\)](#)

2450 - SS20MFS20XMF20-Z-V  
 2451 - SS20MFS20XMF20-Z-AL  
 2452 - SS20MFS20XMF20-Z-PFA  
 2453 - SS20MFS20XMF20-NI-V  
 2454 - SS20MFS20XMF20-NI-AL  
 2455 - SS20MFS20XMF20-NI-PFA

[Inline Male \(O.R.B.\)](#) **PAGE 20**  
[X Male Face Seal \(M.F.S.\)](#)

2500 - SS4MO6XMF6-Z-V  
 2501 - SS4MO6XMF6-Z-AL  
 2502 - SS4MO6XMF6-Z-PFA  
 2503 - SS4MO6XMF6-NI-V  
 2504 - SS4MO6XMF6-NI-AL  
 2505 - SS4MO6XMF6-NI-PFA

2510 - SS8MO8XMF8-Z-V  
 2511 - SS8MO8XMF8-Z-AL  
 2512 - SS8MO8XMF8-Z-PFA  
 2513 - SS8MO8XMF8-NI-V  
 2514 - SS8MO8XMF8-NI-AL  
 2515 - SS8MO8XMF8-NI-PFA

2520 - SS8MO10XMF10-Z-V  
 2521 - SS8MO10XMF10-Z-AL  
 2522 - SS8MO10XMF10-Z-PFA  
 2523 - SS8MO10XMF10-NI-V  
 2524 - SS8MO10XMF10-NI-AL  
 2525 - SS8MO10XMF10-NI-PFA

2530 - SS12MO12XMF12-Z-V  
 2531 - SS12MO12XMF12-Z-AL  
 2532 - SS12MO12XMF12-Z-PFA  
 2533 - SS12MO12XMF12-NI-V  
 2534 - SS12MO12XMF12-NI-AL  
 2535 - SS12MO12XMF12-NI-PFA

2540 - SS16MO16XMF16-Z-V  
 2541 - SS16MO16XMF16-Z-AL  
 2542 - SS16MO16XMF16-Z-PFA  
 2543 - SS16MO16XMF16-NI-V  
 2544 - SS16MO16XMF16-NI-AL  
 2545 - SS16MO16XMF16-NI-PFA

2550 - SS20MO20XMF20-Z-V  
 2551 - SS20MO20XMF20-Z-AL  
 2552 - SS20MO20XMF20-Z-PFA  
 2553 - SS20MO20XMF20-NI-V  
 2554 - SS20MO20XMF20-NI-AL  
 2555 - SS20MO20XMF20-NI-PFA

2563 - SS24MO24XMF24-NI-V  
 2564 - SS24MO24XMF24-NI-AL  
 2565 - SS24MO24XMF24-NI-PFA

[Inline Male Face Seal Bulkhead \(M.F.S.B.\)](#) **PAGE 21**  
[X Male Face Seal \(M.F.S.\)](#)

2600 - SS4MFSB6XMF6-Z-V  
 2601 - SS4MFSB6XMF6-Z-AL  
 2602 - SS4MFSB6XMF6-Z-PFA  
 2603 - SS4MFSB6XMF6-NI-V  
 2604 - SS4MFSB6XMF6-NI-AL  
 2605 - SS4MFSB6XMF6-NI-PFA

2610 - SS8MFSB8XMF8-Z-V  
 2611 - SS8MFSB8XMF8-Z-AL  
 2612 - SS8MFSB8XMF8-Z-PFA  
 2613 - SS8MFSB8XMF8-NI-V  
 2614 - SS8MFSB8XMF8-NI-AL  
 2615 - SS8MFSB8XMF8-NI-PFA

2620 - SS8MFSB10XMF10-Z-V  
 2621 - SS8MFSB10XMF10-Z-AL  
 2622 - SS8MFSB10XMF10-Z-PFA  
 2623 - SS8MFSB10XMF10-NI-V  
 2624 - SS8MFSB10XMF10-NI-AL  
 2625 - SS8MFSB10XMF10-NI-PFA

2630 - SS12MFSB12XMF12-Z-V

**ITEM # - DESCRIPTION**

2633 - SS12MFSB12XMF12-NI-V  
 2634 - SS12MFSB12XMF12-NI-AL  
 2635 - SS12MFSB12XMF12-NI-PFA

2640 - SS16MFSB16XMF16-Z-V  
 2641 - SS16MFSB16XMF16-Z-AL  
 2642 - SS16MFSB16XMF16-Z-PFA  
 2643 - SS16MFSB16XMF16-NI-V  
 2644 - SS16MFSB16XMF16-NI-AL  
 2645 - SS16MFSB16XMF16-NI-PFA

2650 - SS20MFSB20XMF20-Z-V  
 2651 - SS20MFSB20XMF20-Z-AL  
 2652 - SS20MFSB20XMF20-Z-PFA

[Inline \(H.P.\) Female Pipe](#) **PAGE 22**  
[X Female Pipe \(N.P.T.F.\)](#)

13039 - SS8HPP38XFP38-NI-90V  
 2123 - SS8HPP50XFP50-NI-V  
 2124 - SS8HPP50XFP50-NI-AL

[Inline \(H.P.\) Male Pipe](#) **PAGE 22**  
[X Female Pipe \(N.P.T.F.\)](#)

13038 - SS8HPMP38XFP38-NI-90V  
 2223 - SS8HPMP50XFP50-NI-V  
 2224 - SS8HPMP50XFP50-NI-AL

[90° Female Pipe \(N.P.T.F.\)](#) **PAGE 24**  
[X Female Pipe \(N.P.T.F.\)](#)

5080 - 9SS2FP12.5XFP12.5-Z-V  
 5081 - 9SS2FP12.5XFP12.5-Z-AL  
 5082 - N/A  
 5083 - 9SS2FP12.5XFP12.5-NI-V  
 5084 - 9SS2FP12.5XFP12.5-NI-AL  
 5085 - N/A

5000 - 9SS4FP25XFP25-Z-V  
 5001 - 9SS4FP25XFP25-Z-AL  
 5002 - 9SS4FP25XFP25-Z-PFA  
 5003 - 9SS4FP25XFP25-NI-V  
 5004 - 9SS4FP25XFP25-NI-AL  
 5005 - 9SS4FP25XFP25-NI-PFA  
 5006 - 9SS4FP25XFP25-440-AL  
 5007 - 9SS4FP25XFP25-440-PFA

5010 - 9SS8FP38XFP38-Z-V  
 5011 - 9SS8FP38XFP38-Z-AL  
 5012 - 9SS8FP38XFP38-Z-PFA  
 5013 - 9SS8FP38XFP38-NI-V  
 5014 - 9SS8FP38XFP38-NI-AL  
 5015 - 9SS8FP38XFP38-NI-PFA  
 5016 - 9SS8FP38XFP38-440-AL  
 5017 - 9SS8FP38XFP38-440-PFA

5020 - 9SS8FP50XFP50-Z-V  
 5021 - 9SS8FP50XFP50-Z-AL  
 5022 - 9SS8FP50XFP50-Z-PFA  
 5023 - 9SS8FP50XFP50-NI-V  
 5024 - 9SS8FP50XFP50-NI-AL  
 5025 - 9SS8FP50XFP50-NI-PFA  
 5026 - 9SS8FP50XFP50-440-AL  
 5027 - 9SS8FP50XFP50-440-PFA

5030 - 9SS12FP75XFP75-Z-V  
 5031 - 9SS12FP75XFP75-Z-AL  
 5032 - 9SS12FP75XFP75-Z-PFA  
 5033 - 9SS12FP75XFP75-NI-V  
 5034 - 9SS12FP75XFP75-NI-AL  
 5035 - 9SS12FP75XFP75-NI-PFA  
 5036 - 9SS12FP75XFP75-440-AL  
 5037 - 9SS12FP75XFP75-440-PFA

5040 - 9SS16FP100XFP100-Z-V  
 5041 - 9SS16FP100XFP100-Z-AL  
 5042 - 9SS16FP100XFP100-Z-PFA  
 5043 - 9SS16FP100XFP100-NI-V  
 5044 - 9SS16FP100XFP100-NI-AL  
 5045 - 9SS16FP100XFP100-NI-PFA  
 5046 - 9SS16FP100XFP100-440-AL  
 5047 - 9SS16FP100XFP100-440-PFA

5050 - 9SS20FP125XFP125-Z-V  
 5051 - 9SS20FP125XFP125-Z-AL

**ITEM # - DESCRIPTION**

5053 - 9SS20FP125XFP125-NI-V  
 5054 - 9SS20FP125XFP125-NI-AL  
 5055 - 9SS20FP125XFP125-NI-PFA  
 5056 - 9SS20FP125XFP125-440-AL  
 5057 - 9SS20FP125XFP125-440-PFA

5063 - 9SS24FP150XFP150-NI-V  
 5064 - 9SS24FP150XFP150-NI-AL  
 5065 - 9SS24FP150XFP150-NI-PFA  
 5066 - 9SS24FP150XFP150-440-AL  
 5067 - 9SS24FP150XFP150-440-PFA

5073 - 9SS32FP200XFP200-NI-V  
 5074 - 9SS32FP200XFP200-NI-AL  
 5075 - 9SS32FP200XFP200-NI-PFA  
 5076 - 9SS32FP200XFP200-440-AL  
 5077 - 9SS32FP200XFP200-440-PFA

[90° Male Pipe \(N.P.T.F.\)](#) **PAGE 24**  
[X Female Pipe \(N.P.T.F.\)](#)

21081 - 9SS2MP12.5XFP12.5-Z-V  
 21084 - 9SS2MP12.5XFP12.5-Z-AL  
 21090 - 9SS2MP12.5XFP12.5-NI-V  
 21091 - 9SS2MP12.5XFP12.5-NI-AL

5100 - 9SS4MP25XFP25-Z-V  
 5101 - 9SS4MP25XFP25-Z-AL  
 5102 - 9SS4MP25XFP25-Z-PFA  
 5103 - 9SS4MP25XFP25-NI-V  
 5104 - 9SS4MP25XFP25-NI-AL  
 5105 - 9SS4MP25XFP25-NI-PFA  
 5106 - 9SS4MP25XFP25-440-AL  
 5107 - 9SS4MP25XFP25-440-PFA

5180 - 9SS4MP38XFP25-Z-V  
 5181 - 9SS4MP38XFP25-Z-AL  
 5182 - 9SS4MP38XFP25-Z-PFA  
 5183 - 9SS4MP38XFP25-NI-V  
 5184 - 9SS4MP38XFP25-NI-AL  
 5185 - 9SS4MP38XFP25-NI-PFA

5190 - 9SS7MP38XFP38-Z-V  
 5191 - 9SS7MP38XFP38-Z-AL  
 5192 - 9SS7MP38XFP38-Z-PFA  
 5193 - 9SS7MP38XFP38-NI-V  
 5194 - 9SS7MP38XFP38-NI-AL  
 5195 - 9SS7MP38XFP38-NI-PFA

5110 - 9SS8MP38XFP38-Z-V  
 5111 - 9SS8MP38XFP38-Z-AL  
 5112 - 9SS8MP38XFP38-Z-PFA  
 5113 - 9SS8MP38XFP38-NI-V  
 5114 - 9SS8MP38XFP38-NI-AL  
 5115 - 9SS8MP38XFP38-NI-PFA  
 5116 - 9SS8MP38XFP38-440-AL  
 5117 - 9SS8MP38XFP38-440-PFA

5120 - 9SS8MP50XFP50-Z-V  
 5121 - 9SS8MP50XFP50-Z-AL  
 5122 - 9SS8MP50XFP50-Z-PFA  
 5123 - 9SS8MP50XFP50-NI-V  
 5124 - 9SS8MP50XFP50-NI-AL  
 5125 - 9SS8MP50XFP50-NI-PFA  
 5126 - 9SS8MP50XFP50-440-AL  
 5127 - 9SS8MP50XFP50-440-PFA

5130 - 9SS12MP75XFP75-Z-V  
 5131 - 9SS12MP75XFP75-Z-AL  
 5132 - 9SS12MP75XFP75-Z-PFA  
 5133 - 9SS12MP75XFP75-NI-V  
 5134 - 9SS12MP75XFP75-NI-AL  
 5135 - 9SS12MP75XFP75-NI-PFA  
 5136 - 9SS12MP75XFP75-440-AL  
 5137 - 9SS12MP75XFP75-440-PFA

5140 - 9SS16MP100XFP100-Z-V  
 5141 - 9SS16MP100XFP100-Z-AL  
 5142 - 9SS16MP100XFP100-Z-PFA  
 5143 - 9SS16MP100XFP100-NI-V  
 5144 - 9SS16MP100XFP100-NI-AL  
 5145 - 9SS16MP100XFP100-NI-PFA

5146 - 9SS16MP100XFP100-440-AL  
 5147 - 9SS16MP100XFP100-440-PFA

**ITEM # - DESCRIPTION**

5150 - 9SS20MP125XFP125-Z-V  
 5151 - 9SS20MP125XFP125-Z-AL  
 5152 - 9SS20MP125XFP125-Z-PFA  
 5153 - 9SS20MP125XFP125-Ni-V  
 5154 - 9SS20MP125XFP125-Ni-AL  
 5155 - 9SS20MP125XFP125-Ni-PFA  
 5156 - 9SS20MP125XFP125-440-AL  
 5157 - 9SS20MP125XFP125-440-PFA

5163 - 9SS24MP150XFP150-Ni-V  
 5164 - 9SS24MP150XFP150-Ni-AL  
 5165 - 9SS24MP150XFP150-Ni-PFA  
 5166 - 9SS24MP150XFP150-440-AL  
 5167 - 9SS24MP150XFP150-440-PFA

5173 - 9SS32MP200XFP200-Ni-V  
 5174 - 9SS32MP200XFP200-Ni-AL  
 5175 - 9SS32MP200XFP200-Ni-PFA  
 5176 - 9SS32MP200XFP200-440-AL  
 5177 - 9SS32MP200XFP200-440-PFA

90° Male (O.R.B.)  
X Female Pipe (N.P.T.F.)

**PAGE 25**

5690 - 9SS4M04XFP25-Z-V  
 5691 - 9SS4M04XFP25-Z-AL  
 5692 - 9SS4M04XFP25-Z-PFA  
 5693 - 9SS4M04XFP25-Ni-V  
 5694 - 9SS4M04XFP25-Ni-AL  
 5695 - 9SS4M04XFP25-Ni-PFA

5600 - 9SS4M06XFP25-Z-V  
 5601 - 9SS4M06XFP25-Z-AL  
 5602 - 9SS4M06XFP25-Z-PFA  
 5603 - 9SS4M06XFP25-Ni-V  
 5604 - 9SS4M06XFP25-Ni-AL  
 5605 - 9SS4M06XFP25-Ni-PFA

5610 - 9SS8M08XFP38-Z-V  
 5611 - 9SS8M08XFP38-Z-AL  
 5612 - 9SS8M08XFP38-Z-PFA  
 5613 - 9SS8M08XFP38-Ni-V  
 5614 - 9SS8M08XFP38-Ni-AL  
 5615 - 9SS8M08XFP38-Ni-PFA

5620 - 9SS8M10XFP38-Z-V  
 5621 - 9SS8M10XFP38-Z-AL  
 5622 - 9SS8M10XFP38-Z-PFA  
 5623 - 9SS8M10XFP38-Ni-V  
 5624 - 9SS8M10XFP38-Ni-AL  
 5625 - 9SS8M10XFP38-Ni-PFA

5630 - 9SS8M08XFP50-Z-V  
 5631 - 9SS8M08XFP50-Z-AL  
 5632 - 9SS8M08XFP50-Z-PFA  
 5633 - 9SS8M08XFP50-Ni-V  
 5634 - 9SS8M08XFP50-Ni-AL  
 5635 - 9SS8M08XFP50-Ni-PFA

5640 - 9SS8M10XFP50-Z-V  
 5641 - 9SS8M10XFP50-Z-AL  
 5642 - 9SS8M10XFP50-Z-PFA  
 5643 - 9SS8M10XFP50-Ni-V  
 5644 - 9SS8M10XFP50-Ni-AL  
 5645 - 9SS8M10XFP50-Ni-PFA

5650 - 9SS12M12XFP75-Z-V  
 5651 - 9SS12M12XFP75-Z-AL  
 5652 - 9SS12M12XFP75-Z-PFA  
 5653 - 9SS12M12XFP75-Ni-V  
 5654 - 9SS12M12XFP75-Ni-AL  
 5655 - 9SS12M12XFP75-Ni-PFA

5660 - 9SS16M16XFP100-Z-V  
 5661 - 9SS16M16XFP100-Z-AL  
 5662 - 9SS16M16XFP100-Z-PFA  
 5663 - 9SS16M16XFP100-Ni-V  
 5664 - 9SS16M16XFP100-Ni-AL  
 5665 - 9SS16M16XFP100-Ni-PFA

5670 - 9SS20M020XFP125-Z-V  
 5671 - 9SS20M020XFP125-Z-AL  
 5672 - 9SS20M020XFP125-Z-PFA  
 5673 - 9SS20M020XFP125-Ni-V  
 5674 - 9SS20M020XFP125-Ni-AL  
 5675 - 9SS20M020XFP125-Ni-PFA

**ITEM # - DESCRIPTION**

5683 - 9SS24M024XFP150-Ni-V  
 5684 - 9SS24M024XFP150-Ni-AL  
 5685 - 9SS24M024XFP150-Ni-PFA

90° Male (J.I.C.)  
X Female Pipe (N.P.T.F.)

**PAGE 25**

5890 - 9SS4MJ4XFP25-Z-V  
 5891 - 9SS4MJ4XFP25-Z-AL  
 5892 - 9SS4MJ4XFP25-Z-PFA  
 5893 - 9SS4MJ4XFP25-Ni-V  
 5894 - 9SS4MJ4XFP25-Ni-AL  
 5895 - 9SS4MJ4XFP25-Ni-PFA

5800 - 9SS4MJ6XFP25-Z-V  
 5801 - 9SS4MJ6XFP25-Z-AL  
 5802 - 9SS4MJ6XFP25-Z-PFA  
 5803 - 9SS4MJ6XFP25-Ni-V  
 5804 - 9SS4MJ6XFP25-Ni-AL  
 5805 - 9SS4MJ6XFP25-Ni-PFA

5810 - 9SS8MJ8XFP38-Z-V  
 5811 - 9SS8MJ8XFP38-Z-AL  
 5812 - 9SS8MJ8XFP38-Z-PFA  
 5813 - 9SS8MJ8XFP38-Ni-V  
 5814 - 9SS8MJ8XFP38-Ni-AL  
 5815 - 9SS8MJ8XFP38-Ni-PFA

5870 - 9SS8MJ10XFP38-Z-V  
 5871 - 9SS8MJ10XFP38-Z-AL  
 5872 - 9SS8MJ10XFP38-Z-PFA  
 5873 - 9SS8MJ10XFP38-Ni-V  
 5874 - 9SS8MJ10XFP38-Ni-AL  
 5875 - 9SS8MJ10XFP38-Ni-PFA

5820 - 9SS8MJ8XFP50-Z-V  
 5821 - 9SS8MJ8XFP50-Z-AL  
 5822 - 9SS8MJ8XFP50-Z-PFA  
 5823 - 9SS8MJ8XFP50-Ni-V  
 5824 - 9SS8MJ8XFP50-Ni-AL  
 5825 - 9SS8MJ8XFP50-Ni-PFA

5830 - 9SS8MJ10XFP50-Z-V  
 5831 - 9SS8MJ10XFP50-Z-AL  
 5832 - 9SS8MJ10XFP50-Z-PFA  
 5833 - 9SS8MJ10XFP50-Ni-V  
 5834 - 9SS8MJ10XFP50-Ni-AL  
 5835 - 9SS8MJ10XFP50-Ni-PFA

5840 - 9SS12MJ12XFP75-Z-V  
 5841 - 9SS12MJ12XFP75-Z-AL  
 5842 - 9SS12MJ12XFP75-Z-PFA  
 5843 - 9SS12MJ12XFP75-Ni-V  
 5844 - 9SS12MJ12XFP75-Ni-AL  
 5845 - 9SS12MJ12XFP75-Ni-PFA

5850 - 9SS16MJ16XFP100-Z-V  
 5851 - 9SS16MJ16XFP100-Z-AL  
 5852 - 9SS16MJ16XFP100-Z-PFA  
 5853 - 9SS16MJ16XFP100-Ni-V  
 5854 - 9SS16MJ16XFP100-Ni-AL  
 5855 - 9SS16MJ16XFP100-Ni-PFA

5860 - 9SS20MJ20XFP125-Z-V  
 5861 - 9SS20MJ20XFP125-Z-AL  
 5862 - 9SS20MJ20XFP125-Z-PFA  
 5863 - 9SS20MJ20XFP125-Ni-V  
 5864 - 9SS20MJ20XFP125-Ni-AL  
 5865 - 9SS20MJ20XFP125-Ni-PFA

5883 - 9SS24MJ24XFP150-Ni-V  
 5884 - 9SS24MJ24XFP150-Ni-AL  
 5885 - 9SS24MJ24XFP150-Ni-PFA

90° Male Bulkhead (J.I.C.)  
X Female Pipe (N.P.T.F.)

**PAGE 26**

6110 - 9SS8MJB8XFP38-Z-V  
 6111 - 9SS8MJB8XFP38-Z-AL  
 6112 - 9SS8MJB8XFP38-Z-PFA  
 6113 - 9SS8MJB8XFP38-Ni-V  
 6114 - 9SS8MJB8XFP38-Ni-AL  
 6115 - 9SS8MJB8XFP38-Ni-PFA

6120 - 9SS8MJB8XFP50-Z-V  
 6121 - 9SS8MJB8XFP50-Z-AL

**ITEM # - DESCRIPTION**

6123 - 9SS8MJB8XFP50-Ni-V  
 6124 - 9SS8MJB8XFP50-Ni-AL  
 6125 - 9SS8MJB8XFP50-Ni-PFA

6170 - 9SS8MJB10XFP38-Z-V  
 6171 - 9SS8MJB10XFP38-Z-AL  
 6172 - 9SS8MJB10XFP38-Z-PFA  
 6173 - 9SS8MJB10XFP38-Ni-V  
 6174 - 9SS8MJB10XFP38-Ni-AL  
 6175 - 9SS8MJB10XFP38-Ni-PFA

6130 - 9SS8MJB10XFP50-Z-V  
 6131 - 9SS8MJB10XFP50-Z-AL  
 6132 - 9SS8MJB10XFP50-Z-PFA  
 6133 - 9SS8MJB10XFP50-Ni-V  
 6134 - 9SS8MJB10XFP50-Ni-AL  
 6135 - 9SS8MJB10XFP50-Ni-PFA

6140 - 9SS12MJB12XFP75-Z-V  
 6141 - 9SS12MJB12XFP75-Z-AL  
 6142 - 9SS12MJB12XFP75-Z-PFA  
 6143 - 9SS12MJB12XFP75-Ni-V  
 6144 - 9SS12MJB12XFP75-Ni-AL  
 6145 - 9SS12MJB12XFP75-Ni-PFA

6150 - 9SS16MJB16XFP100-Z-V  
 6151 - 9SS16MJB16XFP100-Z-AL  
 6152 - 9SS16MJB16XFP100-Z-PFA  
 6153 - 9SS16MJB16XFP100-Ni-V  
 6154 - 9SS16MJB16XFP100-Ni-AL  
 6155 - 9SS16MJB16XFP100-Ni-PFA

6160 - 9SS20MJB20XFP125-Z-V  
 6161 - 9SS20MJB20XFP125-Z-AL  
 6162 - 9SS20MJB20XFP125-Z-PFA  
 6163 - 9SS20MJB20XFP125-Ni-V  
 6164 - 9SS20MJB20XFP125-Ni-AL  
 6165 - 9SS20MJB20XFP125-Ni-PFA

90° Male (O.R.B.)  
X Female (O.R.B.)

**PAGE 26**

5780 - 9SS4M04XFO6-Z-V  
 5781 - 9SS4M04XFO6-Z-AL  
 5782 - 9SS4M04XFO6-Z-PFA  
 5783 - 9SS4M04XFO6-Ni-V  
 5784 - 9SS4M04XFO6-Ni-AL  
 5785 - 9SS4M04XFO6-Ni-PFA

5700 - 9SS4M06XFO6-Z-V  
 5701 - 9SS4M06XFO6-Z-AL  
 5702 - 9SS4M06XFO6-Z-PFA  
 5703 - 9SS4M06XFO6-Ni-V  
 5704 - 9SS4M06XFO6-Ni-AL  
 5705 - 9SS4M06XFO6-Ni-PFA

5710 - 9SS8M08XFO8-Z-V  
 5711 - 9SS8M08XFO8-Z-AL  
 5712 - 9SS8M08XFO8-Z-PFA  
 5713 - 9SS8M08XFO8-Ni-V  
 5714 - 9SS8M08XFO8-Ni-AL  
 5715 - 9SS8M08XFO8-Ni-PFA

5720 - 9SS8M10XFO8-Z-V  
 5721 - 9SS8M10XFO8-Z-AL  
 5722 - 9SS8M10XFO8-Z-PFA  
 5723 - 9SS8M10XFO8-Ni-V  
 5724 - 9SS8M10XFO8-Ni-AL  
 5725 - 9SS8M10XFO8-Ni-PFA

5730 - 9SS12M12XFO12-Z-V  
 5731 - 9SS12M12XFO12-Z-AL  
 5732 - 9SS12M12XFO12-Z-PFA  
 5733 - 9SS12M12XFO12-Ni-V  
 5734 - 9SS12M12XFO12-Ni-AL  
 5735 - 9SS12M12XFO12-Ni-PFA

5740 - 9SS16M16XFO16-Z-V  
 5741 - 9SS16M16XFO16-Z-AL  
 5742 - 9SS16M16XFO16-Z-PFA  
 5743 - 9SS16M16XFO16-Ni-V  
 5744 - 9SS16M16XFO16-Ni-AL  
 5745 - 9SS16M16XFO16-Ni-PFA

5750 - 9SS20M020XFO20-Z-V  
 5751 - 9SS20M020XFO20-Z-AL

**ITEM # - DESCRIPTION**

5753 - 9SS20M020XFO20-Ni-V  
 5754 - 9SS20M020XFO20-Ni-AL  
 5755 - 9SS20M020XFO20-Ni-PFA

90° Female Pipe (N.P.T.F.)  
X Female (O.R.B.)

**PAGE 27**

5400 - 9SS4FP25XFO6-Z-V  
 5401 - 9SS4FP25XFO6-Z-AL  
 5402 - 9SS4FP25XFO6-Z-PFA  
 5403 - 9SS4FP25XFO6-Ni-V  
 5404 - 9SS4FP25XFO6-Ni-AL  
 5405 - 9SS4FP25XFO6-Ni-PFA

5410 - 9SS8FP38XFO8-Z-V  
 5411 - 9SS8FP38XFO8-Z-AL  
 5412 - 9SS8FP38XFO8-Z-PFA  
 5413 - 9SS8FP38XFO8-Ni-V  
 5414 - 9SS8FP38XFO8-Ni-AL  
 5415 - 9SS8FP38XFO8-Ni-PFA

5420 - 9SS8FP50XFO8-Z-V  
 5421 - 9SS8FP50XFO8-Z-AL  
 5422 - 9SS8FP50XFO8-Z-PFA  
 5423 - 9SS8FP50XFO8-Ni-V  
 5424 - 9SS8FP50XFO8-Ni-AL  
 5425 - 9SS8FP50XFO8-Ni-PFA

5430 - 9SS12FP75XFO12-Z-V  
 5431 - 9SS12FP75XFO12-Z-AL  
 5432 - 9SS12FP75XFO12-Z-PFA  
 5433 - 9SS12FP75XFO12-Ni-V  
 5434 - 9SS12FP75XFO12-Ni-AL  
 5435 - 9SS12FP75XFO12-Ni-PFA

5440 - 9SS16FP100XFO16-Z-V  
 5441 - 9SS16FP100XFO16-Z-AL  
 5442 - 9SS16FP100XFO16-Z-PFA  
 5443 - 9SS16FP100XFO16-Ni-V  
 5444 - 9SS16FP100XFO16-Ni-AL  
 5445 - 9SS16FP100XFO16-Ni-PFA

5450 - 9SS20FP125XFO20-Z-V  
 5451 - 9SS20FP125XFO20-Z-AL  
 5452 - 9SS20FP125XFO20-Z-PFA  
 5453 - 9SS20FP125XFO20-Ni-V  
 5454 - 9SS20FP125XFO20-Ni-AL  
 5455 - 9SS20FP125XFO20-Ni-PFA

90° Male Pipe (N.P.T.F.)  
X Female (O.R.B.)

**PAGE 27**

5500 - 9SS4MP25XFO6-Z-V  
 5501 - 9SS4MP25XFO6-Z-AL  
 5502 - 9SS4MP25XFO6-Z-PFA  
 5503 - 9SS4MP25XFO6-Ni-V  
 5504 - 9SS4MP25XFO6-Ni-AL  
 5505 - 9SS4MP25XFO6-Ni-PFA

5560 - 9SS4MP38XFO6-Z-V  
 5561 - 9SS4MP38XFO6-Z-AL  
 5562 - 9SS4MP38XFO6-Z-PFA  
 5563 - 9SS4MP38XFO6-Ni-V  
 5564 - 9SS4MP38XFO6-Ni-AL  
 5565 - 9SS4MP38XFO6-Ni-PFA

5510 - 9SS8MP38XFO8-Z-V  
 5511 - 9SS8MP38XFO8-Z-AL  
 5512 - 9SS8MP38XFO8-Z-PFA  
 5513 - 9SS8MP38XFO8-Ni-V  
 5514 - 9SS8MP38XFO8-Ni-AL  
 5515 - 9SS8MP38XFO8-Ni-PFA

5520 - 9SS8MP50XFO8-Z-V  
 5521 - 9SS8MP50XFO8-Z-AL  
 5522 - 9SS8MP50XFO8-Z-PFA  
 5523 - 9SS8MP50XFO8-Ni-V  
 5524 - 9SS8MP50XFO8-Ni-AL  
 5525 - 9SS8MP50XFO8-Ni-PFA

5530 - 9SS12MP75XFO12-Z-V  
 5531 - 9SS12MP75XFO12-Z-AL  
 5532 - 9SS12MP75XFO12-Z-PFA  
 5533 - 9SS12MP75XFO12-Ni-V  
 5534 - 9SS12MP75XFO12-Ni-AL  
 5535 - 9SS12MP75XFO12-Ni-PFA

**ITEM # - DESCRIPTION**

- 5540 - 9SS16MP100XFO16-Z-V
- 5541 - 9SS16MP100XFO16-Z-AL
- 5542 - 9SS16MP100XFO16-Z-PFA
- 5543 - 9SS16MP100XFO16-Ni-V
- 5544 - 9SS16MP100XFO16-Ni-AL
- 5545 - 9SS16MP100XFO16-Ni-PFA
  
- 5550 - 9SS20MP125XFO20-Z-V
- 5551 - 9SS20MP125XFO20-Z-AL
- 5552 - 9SS20MP125XFO20-Z-PFA
- 5553 - 9SS20MP125XFO20-Ni-V
- 5554 - 9SS20MP125XFO20-Ni-AL
- 5555 - 9SS20MP125XFO20-Ni-PFA

90° Male (J.I.C.)  
X Female (O.R.B.)

**PAGE 28**

- 5260 - 9SS4MJ4XFO6-Z-V
- 5261 - 9SS4MJ4XFO6-Z-AL
- 5262 - 9SS4MJ4XFO6-Z-PFA
- 5263 - 9SS4MJ4XFO6-Ni-V
- 5264 - 9SS4MJ4XFO6-Ni-AL
- 5265 - 9SS4MJ4XFO6-Ni-PFA

- 5200 - 9SS4MJ6XFO6-Z-V
- 5201 - 9SS4MJ6XFO6-Z-AL
- 5202 - 9SS4MJ6XFO6-Z-PFA
- 5203 - 9SS4MJ6XFO6-Ni-V
- 5204 - 9SS4MJ6XFO6-Ni-AL
- 5205 - 9SS4MJ6XFO6-Ni-PFA

- 5210 - 9SS8MJ8XFO8-Z-V
- 5211 - 9SS8MJ8XFO8-Z-AL
- 5212 - 9SS8MJ8XFO8-Z-PFA
- 5213 - 9SS8MJ8XFO8-Ni-V
- 5214 - 9SS8MJ8XFO8-Ni-AL
- 5215 - 9SS8MJ8XFO8-Ni-PFA

- 5220 - 9SS8MJ10XFO8-Z-V
- 5221 - 9SS8MJ10XFO8-Z-AL
- 5222 - 9SS8MJ10XFO8-Z-PFA
- 5223 - 9SS8MJ10XFO8-Ni-V
- 5224 - 9SS8MJ10XFO8-Ni-AL
- 5225 - 9SS8MJ10XFO8-Ni-PFA

- 5230 - 9SS12MJ12XFO12-Z-V
- 5231 - 9SS12MJ12XFO12-Z-AL
- 5232 - 9SS12MJ12XFO12-Z-PFA
- 5233 - 9SS12MJ12XFO12-Ni-V
- 5234 - 9SS12MJ12XFO12-Ni-AL
- 5235 - 9SS12MJ12XFO12-Ni-PFA

- 5240 - 9SS16MJ16XFO16-Z-V
- 5241 - 9SS16MJ16XFO16-Z-AL
- 5242 - 9SS16MJ16XFO16-Z-PFA
- 5243 - 9SS16MJ16XFO16-Ni-V
- 5244 - 9SS16MJ16XFO16-Ni-AL
- 5245 - 9SS16MJ16XFO16-Ni-PFA

- 5250 - 9SS20MJ20XFO20-Z-V
- 5251 - 9SS20MJ20XFO20-Z-AL
- 5252 - 9SS20MJ20XFO20-Z-PFA
- 5253 - 9SS20MJ20XFO20-Ni-V
- 5254 - 9SS20MJ20XFO20-Ni-AL
- 5255 - 9SS20MJ20XFO20-Ni-PFA

90° Male Bulkhead (J.I.C.)  
X Female (O.R.B.)

**PAGE 28**

- 5300 - 9SS4MJ6XFO6-Z-V
- 5301 - 9SS4MJ6XFO6-Z-AL
- 5302 - 9SS4MJ6XFO6-Z-PFA
- 5303 - 9SS4MJ6XFO6-Ni-V
- 5304 - 9SS4MJ6XFO6-Ni-AL
- 5305 - 9SS4MJ6XFO6-Ni-PFA

- 5310 - 9SS8MJ8XFO8-Z-V
- 5311 - 9SS8MJ8XFO8-Z-AL
- 5312 - 9SS8MJ8XFO8-Z-PFA
- 5313 - 9SS8MJ8XFO8-Ni-V
- 5314 - 9SS8MJ8XFO8-Ni-AL
- 5315 - 9SS8MJ8XFO8-Ni-PFA

- 5320 - 9SS8MJ10XFO8-Z-V
- 5321 - 9SS8MJ10XFO8-Z-AL
- 5322 - 9SS8MJ10XFO8-Z-PFA
- 5323 - 9SS8MJ10XFO8-Ni-V

**ITEM # - DESCRIPTION**

- 5330 - 9SS12MJ12XFO12-Z-V
- 5331 - 9SS12MJ12XFO12-Z-AL
- 5332 - 9SS12MJ12XFO12-Z-PFA
- 5333 - 9SS12MJ12XFO12-Ni-V
- 5334 - 9SS12MJ12XFO12-Ni-AL
- 5335 - 9SS12MJ12XFO12-Ni-PFA
  
- 5340 - 9SS16MJ16XFO16-Z-V
- 5341 - 9SS16MJ16XFO16-Z-AL
- 5342 - 9SS16MJ16XFO16-Z-PFA
- 5343 - 9SS16MJ16XFO16-Ni-V
- 5344 - 9SS16MJ16XFO16-Ni-AL
- 5345 - 9SS16MJ16XFO16-Ni-PFA

90° Female Pipe (N.P.T.F.)  
X Pipe Swivel (N.P.S.M.)

**PAGE 29**

- 5350 - 9SS20MJ20XFO20-Z-V
- 5351 - 9SS20MJ20XFO20-Z-AL
- 5352 - 9SS20MJ20XFO20-Z-PFA
- 5353 - 9SS20MJ20XFO20-Ni-V
- 5354 - 9SS20MJ20XFO20-Ni-AL
- 5355 - 9SS20MJ20XFO20-Ni-PFA

- 6200 - 9SS4FP25XPS25-Z-V
- 6201 - 9SS4FP25XPS25-Z-AL
- 6202 - 9SS4FP25XPS25-Z-PFA
- 6203 - 9SS4FP25XPS25-Ni-V
- 6204 - 9SS4FP25XPS25-Ni-AL
- 6205 - 9SS4FP25XPS25-Ni-PFA

- 6260 - 9SS4FP25XPS38-Z-V
- 6261 - 9SS4FP25XPS38-Z-AL
- 6262 - 9SS4FP25XPS38-Z-PFA
- 6263 - 9SS4FP25XPS38-Ni-V
- 6264 - 9SS4FP25XPS38-Ni-AL
- 6265 - 9SS4FP25XPS38-Ni-PFA

- 6210 - 9SS8FP38XPS38 - Z -V
- 6211 - 9SS8FP38XPS38 - Z -AL
- 6212 - 9SS8FP38XPS38 - Z -PFA
- 6213 - 9SS8FP38XPS38 - Ni -V
- 6214 - 9SS8FP38XPS38 - Ni -AL
- 6215 - 9SS8FP38XPS38 - Ni -PFA

- 6220 - 9SS8FP50XPS50-Z-V
- 6221 - 9SS8FP50XPS50-Z-AL
- 6222 - 9SS8FP50XPS50-Z-PFA
- 6223 - 9SS8FP50XPS50-Ni-V
- 6224 - 9SS8FP50XPS50-Ni-AL
- 6225 - 9SS8FP50XPS50-Ni-PFA

- 6230 - 9SS12FP75XPS75-Z-V
- 6231 - 9SS12FP75XPS75-Z-AL
- 6232 - 9SS12FP75XPS75-Z-PFA
- 6233 - 9SS12FP75XPS75-Ni-V
- 6234 - 9SS12FP75XPS75-Ni-AL
- 6235 - 9SS12FP75XPS75-Ni-PFA

- 6240 - 9SS16FP100XPS100-Z-V
- 6241 - 9SS16FP100XPS100-Z-AL
- 6242 - 9SS16FP100XPS100-Z-PFA
- 6243 - 9SS16FP100XPS100-Ni-V
- 6244 - 9SS16FP100XPS100-Ni-AL
- 6245 - 9SS16FP100XPS100-Ni-PFA

- 6250 - 9SS20FP125XPS125-Z-V
- 6251 - 9SS20FP125XPS125-Z-AL
- 6252 - 9SS20FP125XPS125-Z-PFA
- 6253 - 9SS20FP125XPS125-Ni-V
- 6254 - 9SS20FP125XPS125-Ni-AL
- 6255 - 9SS20FP125XPS125-Ni-PFA

- 6273 - 9SS24FP150XPS150-Ni-V
- 6274 - 9SS24FP150XPS150-Ni-AL
- 6275 - 9SS24FP150XPS150-Ni-PFA

90° Male Pipe (N.P.T.F.)  
X Pipe Swivel (N.P.S.M.)

**PAGE 29**

- 6300 - 9SS4MP25XPS25-Z-V
- 6301 - 9SS4MP25XPS25-Z-AL
- 6302 - 9SS4MP25XPS25-Z-PFA
- 6303 - 9SS4MP25XPS25-Ni-V
- 6304 - 9SS4MP25XPS25-Ni-AL
- 6305 - 9SS4MP25XPS25-Ni-PFA

**ITEM # - DESCRIPTION**

- 6370 - 9SS4MP25XPS38-Z-V
- 6371 - 9SS4MP25XPS38-Z-AL
- 6372 - 9SS4MP25XPS38-Z-PFA
- 6373 - 9SS4MP25XPS38-Ni-V
- 6374 - 9SS4MP25XPS38-Ni-AL
- 6375 - 9SS4MP25XPS38-Ni-PFA
  
- 6360 - 9SS4MP38XPS25-Z-V
- 6361 - 9SS4MP38XPS25-Z-AL
- 6362 - 9SS4MP38XPS25-Z-PFA
- 6363 - 9SS4MP38XPS25-Ni-V
- 6364 - 9SS4MP38XPS25-Ni-AL
- 6365 - 9SS4MP38XPS25-Ni-PFA

- 6380 - 9SS4MP38XPS38-Z-V
- 6381 - 9SS4MP38XPS38-Z-AL
- 6382 - 9SS4MP38XPS38-Z-PFA
- 6383 - 9SS4MP38XPS38-Ni-V
- 6384 - 9SS4MP38XPS38-Ni-AL
- 6385 - 9SS4MP38XPS38-Ni-PFA

- 6310 - 9SS8MP38XPS38-Z-V
- 6311 - 9SS8MP38XPS38-Z-AL
- 6312 - 9SS8MP38XPS38-Z-PFA
- 6313 - 9SS8MP38XPS38-Ni-V
- 6314 - 9SS8MP38XPS38-Ni-AL
- 6315 - 9SS8MP38XPS38-Ni-PFA

- 6320 - 9SS8MP50XPS50-Z-V
- 6321 - 9SS8MP50XPS50-Z-AL
- 6322 - 9SS8MP50XPS50-Z-PFA
- 6323 - 9SS8MP50XPS50-Ni-V
- 6324 - 9SS8MP50XPS50-Ni-AL
- 6325 - 9SS8MP50XPS50-Ni-PFA

- 6330 - 9SS12MP75XPS75-Z-V
- 6331 - 9SS12MP75XPS75-Z-AL
- 6332 - 9SS12MP75XPS75-Z-PFA
- 6333 - 9SS12MP75XPS75-Ni-V
- 6334 - 9SS12MP75XPS75-Ni-AL
- 6335 - 9SS12MP75XPS75-Ni-PFA

- 6340 - 9SS16MP100XPS100-Z-V
- 6341 - 9SS16MP100XPS100-Z-AL
- 6342 - 9SS16MP100XPS100-Z-PFA
- 6343 - 9SS16MP100XPS100-Ni-V
- 6344 - 9SS16MP100XPS100-Ni-AL
- 6345 - 9SS16MP100XPS100-Ni-PFA

- 6350 - 9SS20MP125XPS125-Z-V
- 6351 - 9SS20MP125XPS125-Z-AL
- 6352 - 9SS20MP125XPS125-Z-PFA
- 6353 - 9SS20MP125XPS125-Ni-V
- 6354 - 9SS20MP125XPS125-Ni-AL
- 6355 - 9SS20MP125XPS125-Ni-PFA

- 6393 - 9SS24MP150XPS150-Ni-V
- 6394 - 9SS24MP150XPS150-Ni-AL
- 6395 - 9SS24MP150XPS150-Ni-PFA

90° Male (O.R.B.)  
X Pipe Swivel (N.P.S.M.)

**PAGE 30**

- 6490 - 9SS4MO4XPS25-Z-V
- 6491 - 9SS4MO4XPS25-Z-AL
- 6492 - 9SS4MO4XPS25-Z-PFA
- 6493 - 9SS4MO4XPS25-Ni-V
- 6494 - 9SS4MO4XPS25-Ni-AL
- 6495 - 9SS4MO4XPS25-Ni-PFA

- 6400 - 9SS4MO6XPS25-Z-V
- 6401 - 9SS4MO6XPS25-Z-AL
- 6402 - 9SS4MO6XPS25-Z-PFA
- 6403 - 9SS4MO6XPS25-Ni-V
- 6404 - 9SS4MO6XPS25-Ni-AL
- 6405 - 9SS4MO6XPS25-Ni-PFA

- 6470 - 9SS4MO6XPS38-Z-V
- 6471 - 9SS4MO6XPS38-Z-AL
- 6472 - 9SS4MO6XPS38-Z-PFA
- 6473 - 9SS4MO6XPS38-Ni-V
- 6474 - 9SS4MO6XPS38-Ni-AL
- 6475 - 9SS4MO6XPS38-Ni-PFA

- 6410 - 9SS8MO8XPS38-Z-V
- 6411 - 9SS8MO8XPS38-Z-AL

**ITEM # - DESCRIPTION**

- 6413 - 9SS8MO8XPS38-Ni-V
- 6414 - 9SS8MO8XPS38-Ni-AL
- 6415 - 9SS8MO8XPS38-Ni-PFA
  
- 6420 - 9SS8MO8XPS50-Z-V
- 6421 - 9SS8MO8XPS50-Z-AL
- 6422 - 9SS8MO8XPS50-Z-PFA
- 6423 - 9SS8MO8XPS50-Ni-V
- 6424 - 9SS8MO8XPS50-Ni-AL
- 6425 - 9SS8MO8XPS50-Ni-PFA

- 6430 - 9SS8MO10XPS50-Z-V
- 6431 - 9SS8MO10XPS50-Z-AL
- 6432 - 9SS8MO10XPS50-Z-PFA
- 6433 - 9SS8MO10XPS50-Ni-V
- 6434 - 9SS8MO10XPS50-Ni-AL
- 6435 - 9SS8MO10XPS50-Ni-PFA

- 6440 - 9SS12MO12XPS75-Z-V
- 6441 - 9SS12MO12XPS75-Z-AL
- 6442 - 9SS12MO12XPS75-Z-PFA
- 6443 - 9SS12MO12XPS75-Ni-V
- 6444 - 9SS12MO12XPS75-Ni-AL
- 6445 - 9SS12MO12XPS75-Ni-PFA

- 6450 - 9SS16MO16XPS100-Z-V
- 6451 - 9SS16MO16XPS100-Z-AL
- 6452 - 9SS16MO16XPS100-Z-PFA
- 6453 - 9SS16MO16XPS100-Ni-V
- 6454 - 9SS16MO16XPS100-Ni-AL
- 6455 - 9SS16MO16XPS100-Ni-PFA

- 6460 - 9SS20MO20XPS125-Z-V
- 6461 - 9SS20MO20XPS125-Z-AL
- 6462 - 9SS20MO20XPS125-Z-PFA
- 6463 - 9SS20MO20XPS125-Ni-V
- 6464 - 9SS20MO20XPS125-Ni-AL
- 6465 - 9SS20MO20XPS125-Ni-PFA

- 6483 - 9SS24MO24XPS150-Ni-V
- 6484 - 9SS24MO24XPS150-Ni-AL
- 6485 - 9SS24MO24XPS150-Ni-PFA

- 6590 - 9SS4MJ4XPS25-Z-V
- 6591 - 9SS4MJ4XPS25-Z-AL
- 6592 - 9SS4MJ4XPS25-Z-PFA
- 6593 - 9SS4MJ4XPS25-Ni-V
- 6594 - 9SS4MJ4XPS25-Ni-AL
- 6595 - 9SS4MJ4XPS25-Ni-PFA

- 6500 - 9SS4MJ6XPS25-Z-V
- 6501 - 9SS4MJ6XPS25-Z-AL
- 6502 - 9SS4MJ6XPS25-Z-PFA
- 6503 - 9SS4MJ6XPS25-Ni-V
- 6504 - 9SS4MJ6XPS25-Ni-AL
- 6505 - 9SS4MJ6XPS25-Ni-PFA

- 6570 - 9SS4MJ6XPS38-Z-V
- 6571 - 9SS4MJ6XPS38-Z-AL
- 6572 - 9SS4MJ6XPS38-Z-PFA
- 6573 - 9SS4MJ6XPS38-Ni-V
- 6574 - 9SS4MJ6XPS38-Ni-AL
- 6575 - 9SS4MJ6XPS38-Ni-PFA

- 6510 - 9SS8MJ8XPS38-Z-V
- 6511 - 9SS8MJ8XPS38-Z-AL
- 6512 - 9SS8MJ8XPS38-Z-PFA
- 6513 - 9SS8MJ8XPS38-Ni-V
- 6514 - 9SS8MJ8XPS38-Ni-AL
- 6515 - 9SS8MJ8XPS38-Ni-PFA

- 6520 - 9SS8MJ8XPS50-Z-V
- 6521 - 9SS8MJ8XPS50-Z-AL
- 6522 - 9SS8MJ8XPS50-Z-PFA
- 6523 - 9SS8MJ8XPS50-Ni-V
- 6524 - 9SS8MJ8XPS50-Ni-AL
- 6525 - 9SS8MJ8XPS50-Ni-PFA

(V) = Viton  
(AL) = Aflas

**ITEM # - DESCRIPTION**

6530 - 9SS8MJ10XPS50-Z-V  
 6531 - 9SS8MJ10XPS50-Z-AL  
 6532 - 9SS8MJ10XPS50-Z-PFA  
 6533 - 9SS8MJ10XPS50-Ni-V  
 6534 - 9SS8MJ10XPS50-Ni-AL  
 6535 - 9SS8MJ10XPS50-Ni-PFA

6540 - 9SS12MJ12XPS75-Z-V  
 6541 - 9SS12MJ12XPS75-Z-AL  
 6542 - 9SS12MJ12XPS75-Z-PFA  
 6543 - 9SS12MJ12XPS75-Ni-V  
 6544 - 9SS12MJ12XPS75-Ni-AL  
 6545 - 9SS12MJ12XPS75-Ni-PFA

6550 - 9SS16MJ16XPS100-Z-V  
 6551 - 9SS16MJ16XPS100-Z-AL  
 6552 - 9SS16MJ16XPS100-Z-PFA  
 6553 - 9SS16MJ16XPS100-Ni-V  
 6554 - 9SS16MJ16XPS100-Ni-AL  
 6555 - 9SS16MJ16XPS100-Ni-PFA

6560 - 9SS20MJ20XPS125-Z-V  
 6561 - 9SS20MJ20XPS125-Z-AL  
 6562 - 9SS20MJ20XPS125-Z-PFA  
 6563 - 9SS20MJ20XPS125-Ni-V  
 6564 - 9SS20MJ20XPS125-Ni-AL  
 6565 - 9SS20MJ20XPS125-Ni-PFA

6583 - 9SS24MJ24XPS150-Ni-V  
 6584 - 9SS24MJ24XPS150-Ni-AL  
 6585 - 9SS24MJ24XPS150-Ni-PFA

**90° Male Bulkhead (J.I.C.)**  
**X Pipe Swivel (N.P.S.M.)**

**PAGE 31**

6600 - 9SS4MJB6XPS25-Z-V  
 6601 - 9SS4MJB6XPS25 - Z-AL  
 6602 - 9SS4MJB6XPS25 - Z-PFA  
 6603 - 9SS4MJB6XPS25-Ni-V  
 6604 - 9SS4MJB6XPS25-Ni-AL  
 6605 - 9SS4MJB6XPS25-Ni-PFA

6610 - 9SS8MJB8XPS38-Z-V  
 6611 - 9SS8MJB8XPS38-Z-AL  
 6612 - 9SS8MJB8XPS38-Z-PFA  
 6613 - 9SS8MJB8XPS38-Ni-V  
 6614 - 9SS8MJB8XPS38-Ni-AL  
 6615 - 9SS8MJB8XPS38-Ni-PFA

6620 - 9SS8MJB8XPS50-Z-V  
 6621 - 9SS8MJB8XPS50-Z-AL  
 6622 - 9SS8MJB8XPS50-Z-PFA  
 6623 - 9SS8MJB8XPS50-Ni-V  
 6624 - 9SS8MJB8XPS50-Ni-AL  
 6625 - 9SS8MJB8XPS50-Ni-PFA

6630 - 9SS8MJB10XPS50-Z-V  
 6631 - 9SS8MJB10XPS50-Z-AL  
 6632 - 9SS8MJB10XPS50-Z-PFA  
 6633 - 9SS8MJB10XPS50-Ni-V  
 6634 - 9SS8MJB10XPS50-Ni-AL  
 6635 - 9SS8MJB10XPS50-Ni-PFA

6640 - 9SS12MJB12XPS75-Z-V  
 6641 - 9SS12MJB12XPS75-Z-AL  
 6642 - 9SS12MJB12XPS75-Z-PFA  
 6643 - 9SS12MJB12XPS75-Ni-V  
 6644 - 9SS12MJB12XPS75-Ni-AL  
 6645 - 9SS12MJB12XPS75-Ni-PFA

6650 - 9SS16MJB16XPS100-Z-V  
 6651 - 9SS16MJB16XPS100-Z-AL  
 6652 - 9SS16MJB16XPS100-Z-PFA  
 6653 - 9SS16MJB16XPS100-Ni-V  
 6654 - 9SS16MJB16XPS100-Ni-AL  
 6655 - 9SS16MJB16XPS100-Ni-PFA

6660 - 9SS20MJB20XPS125-Z-V  
 6661 - 9SS20MJB20XPS125-Z-AL  
 6662 - 9SS20MJB20XPS125-Z-PFA  
 6663 - 9SS20MJB20XPS125-Ni-V  
 6664 - 9SS20MJB20XPS125-Ni-AL  
 6665 - 9SS20MJB20XPS125-Ni-PFA

**ITEM # - DESCRIPTION**

**90° Female Pipe (N.P.T.F.)**  
**X Male (J.I.C.)**

**PAGE 31**

6780 - 9SS4FP25XMJ4-Z-V  
 6781 - 9SS4FP25XMJ4-Z-AL  
 6782 - 9SS4FP25XMJ4-Z-PFA  
 6783 - 9SS4FP25XMJ4-Ni-V  
 6784 - 9SS4FP25XMJ4-Ni-AL  
 6785 - 9SS4FP25XMJ4-Ni-PFA

6700 - 9SS4FP25XMJ6-Z-V  
 6701 - 9SS4FP25XMJ6-Z-AL  
 6702 - 9SS4FP25XMJ6-Z-PFA  
 6703 - 9SS4FP25XMJ6-Ni-V  
 6704 - 9SS4FP25XMJ6-Ni-AL  
 6705 - 9SS4FP25XMJ6-Ni-PFA

6790 - 9SS8FP38XMJ6-Z-V  
 6791 - 9SS8FP38XMJ6-Z-AL  
 6792 - 9SS8FP38XMJ6-Z-PFA  
 6793 - 9SS8FP38XMJ6-Ni-V  
 6794 - 9SS8FP38XMJ6-Ni-AL  
 6795 - 9SS8FP38XMJ6-Ni-PFA

6710 - 9SS8FP38XMJ8-Z-V  
 6711 - 9SS8FP38XMJ8-Z-AL  
 6712 - 9SS8FP38XMJ8-Z-PFA  
 6713 - 9SS8FP38XMJ8-Ni-V  
 6714 - 9SS8FP38XMJ8-Ni-AL  
 6715 - 9SS8FP38XMJ8-Ni-PFA

6720 - 9SS8FP50XMJ8-Z-V  
 6721 - 9SS8FP50XMJ8-Z-AL  
 6722 - 9SS8FP50XMJ8-Z-PFA  
 6723 - 9SS8FP50XMJ8-Ni-V  
 6724 - 9SS8FP50XMJ8-Ni-AL  
 6725 - 9SS8FP50XMJ8-Ni-PFA

6730 - 9SS8FP50XMJ10-Z-V  
 6731 - 9SS8FP50XMJ10-Z-AL  
 6732 - 9SS8FP50XMJ10-Z-PFA  
 6733 - 9SS8FP50XMJ10-Ni-V  
 6734 - 9SS8FP50XMJ10-Ni-AL  
 6735 - 9SS8FP50XMJ10-Ni-PFA

6740 - 9SS12FP75XMJ12-Z-V  
 6741 - 9SS12FP75XMJ12-Z-AL  
 6742 - 9SS12FP75XMJ12-Z-PFA  
 6743 - 9SS12FP75XMJ12-Ni-V  
 6744 - 9SS12FP75XMJ12-Ni-AL  
 6745 - 9SS12FP75XMJ12-Ni-PFA

6750 - 9SS16FP100XMJ16-Z-V  
 6751 - 9SS16FP100XMJ16-Z-AL  
 6752 - 9SS16FP100XMJ16-Z-PFA  
 6753 - 9SS16FP100XMJ16-Ni-V  
 6754 - 9SS16FP100XMJ16-Ni-AL  
 6755 - 9SS16FP100XMJ16-Ni-PFA

6760 - 9SS20FP125XMJ20-Z-V  
 6761 - 9SS20FP125XMJ20-Z-AL  
 6762 - 9SS20FP125XMJ20-Z-PFA  
 6763 - 9SS20FP125XMJ20-Ni-V  
 6764 - 9SS20FP125XMJ20-Ni-AL  
 6765 - 9SS20FP125XMJ20-Ni-PFA

6773 - 9SS24FP150XMJ24-Ni-V  
 6774 - 9SS24FP150XMJ24-Ni-AL  
 6775 - 9SS24FP150XMJ24-Ni-PFA

**90° Male Pipe (N.P.T.F.)**  
**X Male (J.I.C.)**

**PAGE 32**

6890 - 9SS4MP25XMJ4-Z-V  
 6891 - 9SS4MP25XMJ4-Z-AL  
 6892 - 9SS4MP25XMJ4-Z-PFA  
 6893 - 9SS4MP25XMJ4-Ni-V  
 6894 - 9SS4MP25XMJ4-Ni-AL  
 6895 - 9SS4MP25XMJ4-Ni-PFA

6800 - 9SS4MP25XMJ6-Z-V  
 6801 - 9SS4MP25XMJ6-Z-AL  
 6802 - 9SS4MP25XMJ6-Z-PFA  
 6803 - 9SS4MP25XMJ6-Ni-V  
 6804 - 9SS4MP25XMJ6-Ni-AL  
 6805 - 9SS4MP25XMJ6-Ni-PFA

**ITEM # - DESCRIPTION**

6870 - 9SS4MP38XMJ6-Z-V  
 6871 - 9SS4MP38XMJ6-Z-AL  
 6872 - 9SS4MP38XMJ6-Z-PFA  
 6873 - 9SS4MP38XMJ6-Ni-V  
 6874 - 9SS4MP38XMJ6-Ni-AL  
 6875 - 9SS4MP38XMJ6-Ni-PFA

6810 - 9SS8MP38XMJ8-Z-V  
 6811 - 9SS8MP38XMJ8-Z-AL  
 6812 - 9SS8MP38XMJ8-Z-PFA  
 6813 - 9SS8MP38XMJ8-Ni-V  
 6814 - 9SS8MP38XMJ8-Ni-AL  
 6815 - 9SS8MP38XMJ8-Ni-PFA

6820 - 9SS8MP50XMJ8-Z-V  
 6821 - 9SS8MP50XMJ8-Z-AL  
 6822 - 9SS8MP50XMJ8-Z-PFA  
 6823 - 9SS8MP50XMJ8-Ni-V  
 6824 - 9SS8MP50XMJ8-Ni-AL  
 6825 - 9SS8MP50XMJ8-Ni-PFA

6830 - 9SS8MP50XMJ10-Z-V  
 6831 - 9SS8MP50XMJ10-Z-AL  
 6832 - 9SS8MP50XMJ10-Z-PFA  
 6833 - 9SS8MP50XMJ10-Ni-V  
 6834 - 9SS8MP50XMJ10-Ni-AL  
 6835 - 9SS8MP50XMJ10-Ni-PFA

6840 - 9SS12MP75XMJ12-Z-V  
 6841 - 9SS12MP75XMJ12-Z-AL  
 6842 - 9SS12MP75XMJ12-Z-PFA  
 6843 - 9SS12MP75XMJ12-Ni-V  
 6844 - 9SS12MP75XMJ12-Ni-AL  
 6845 - 9SS12MP75XMJ12-Ni-PFA

6850 - 9SS16MP100XMJ16-Z-V  
 6851 - 9SS16MP100XMJ16-Z-AL  
 6852 - 9SS16MP100XMJ16-Z-PFA  
 6853 - 9SS16MP100XMJ16-Ni-V  
 6854 - 9SS16MP100XMJ16-Ni-AL  
 6855 - 9SS16MP100XMJ16-Ni-PFA

6860 - 9SS20MP125XMJ20-Z-V  
 6861 - 9SS20MP125XMJ20-Z-AL  
 6862 - 9SS20MP125XMJ20-Z-PFA  
 6863 - 9SS20MP125XMJ20-Ni-V  
 6864 - 9SS20MP125XMJ20-Ni-AL  
 6865 - 9SS20MP125XMJ20-Ni-PFA

6883 - 9SS24MP150XMJ24-Ni-V  
 6884 - 9SS24MP150XMJ24-Ni-AL  
 6885 - 9SS24MP150XMJ24-Ni-PFA

**90° Male (O.R.B.)**  
**X Male (J.I.C.)**

**PAGE 32**

6970 - 9SS4M04XMJ4-Z-V  
 6971 - 9SS4M04XMJ4-Z-AL  
 6972 - 9SS4M04XMJ4-Z-PFA  
 6973 - 9SS4M04XMJ4-Ni-V  
 6974 - 9SS4M04XMJ4-Ni-AL  
 6975 - 9SS4M04XMJ4-Ni-PFA

6900 - 9SS4M06XMJ6-Z-V  
 6901 - 9SS4M06XMJ6-Z-AL  
 6902 - 9SS4M06XMJ6-Z-PFA  
 6903 - 9SS4M06XMJ6-Ni-V  
 6904 - 9SS4M06XMJ6-Ni-AL  
 6905 - 9SS4M06XMJ6-Ni-PFA

6910 - 9SS8M08XMJ8-Z-V  
 6911 - 9SS8M08XMJ8-Z-AL  
 6912 - 9SS8M08XMJ8-Z-PFA  
 6913 - 9SS8M08XMJ8-Ni-V  
 6914 - 9SS8M08XMJ8-Ni-AL  
 6915 - 9SS8M08XMJ8-Ni-PFA

6920 - 9SS8M10XMJ10-Z-V  
 6921 - 9SS8M10XMJ10-Z-AL  
 6922 - 9SS8M10XMJ10-Z-PFA  
 6923 - 9SS8M10XMJ10-Ni-V  
 6924 - 9SS8M10XMJ10-Ni-AL  
 6925 - 9SS8M10XMJ10-Ni-PFA

**ITEM # - DESCRIPTION**

6930 - 9SS12M012XMJ12-Z-V  
 6931 - 9SS12M012XMJ12-Z-AL  
 6932 - 9SS12M012XMJ12-Z-PFA  
 6933 - 9SS12M012XMJ12-Ni-V  
 6934 - 9SS12M012XMJ12-Ni-AL  
 6935 - 9SS12M012XMJ12-Ni-PFA

6940 - 9SS16M016XMJ16-Z-V  
 6941 - 9SS16M016XMJ16-Z-AL  
 6942 - 9SS16M016XMJ16-Z-PFA  
 6943 - 9SS16M016XMJ16-Ni-V  
 6944 - 9SS16M016XMJ16-Ni-AL  
 6945 - 9SS16M016XMJ16-Ni-PFA

6950 - 9SS20M020XMJ20-Z-V  
 6951 - 9SS20M020XMJ20-Z-AL  
 6952 - 9SS20M020XMJ20-Z-PFA  
 6953 - 9SS20M020XMJ20-Ni-V  
 6954 - 9SS20M020XMJ20-Ni-AL  
 6955 - 9SS20M020XMJ20-Ni-PFA

6963 - 9SS24M024XMJ24-Ni-V  
 6964 - 9SS24M024XMJ24-Ni-AL  
 6965 - 9SS24M024XMJ24-Ni-PFA

**90° Male (J.I.C.)**  
**X Male (J.I.C.)**

**PAGE 33**

7070 - 9SS4M4XMJ4-Z-V  
 7071 - 9SS4M4XMJ4-Z-AL  
 7072 - 9SS4M4XMJ4-Z-PFA  
 7073 - 9SS4M4XMJ4-Ni-V  
 7074 - 9SS4M4XMJ4-Ni-AL  
 7075 - 9SS4M4XMJ4-Ni-PFA

7000 - 9SS4M6XMJ6-Z-V  
 7001 - 9SS4M6XMJ6-Z-AL  
 7002 - 9SS4M6XMJ6-Z-PFA  
 7003 - 9SS4M6XMJ6-Ni-V  
 7004 - 9SS4M6XMJ6-Ni-AL  
 7005 - 9SS4M6XMJ6-Ni-PFA

7010 - 9SS8M8XMJ8-Z-V  
 7011 - 9SS8M8XMJ8-Z-AL  
 7012 - 9SS8M8XMJ8-Z-PFA  
 7013 - 9SS8M8XMJ8-Ni-V  
 7014 - 9SS8M8XMJ8-Ni-AL  
 7015 - 9SS8M8XMJ8-Ni-PFA

7020 - 9SS8M10XMJ10-Z-V  
 7021 - 9SS8M10XMJ10-Z-AL  
 7022 - 9SS8M10XMJ10-Z-PFA  
 7023 - 9SS8M10XMJ10-Ni-V  
 7024 - 9SS8M10XMJ10-Ni-AL  
 7025 - 9SS8M10XMJ10-Ni-PFA

7030 - 9SS12M12XMJ12-Z-V  
 7031 - 9SS12M12XMJ12-Z-AL  
 7032 - 9SS12M12XMJ12-Z-PFA  
 7033 - 9SS12M12XMJ12-Ni-V  
 7034 - 9SS12M12XMJ12-Ni-AL  
 7035 - 9SS12M12XMJ12-Ni-PFA

7040 - 9SS16M16XMJ16-Z-V  
 7041 - 9SS16M16XMJ16-Z-AL  
 7042 - 9SS16M16XMJ16-Z-PFA  
 7043 - 9SS16M16XMJ16-Ni-V  
 7044 - 9SS16M16XMJ16-Ni-AL  
 7045 - 9SS16M16XMJ16-Ni-PFA

7050 - 9SS20M20XMJ20-Z-V  
 7051 - 9SS20M20XMJ20-Z-AL  
 7052 - 9SS20M20XMJ20-Z-PFA  
 7053 - 9SS20M20XMJ20-Ni-V  
 7054 - 9SS20M20XMJ20-Ni-AL  
 7055 - 9SS20M20XMJ20-Ni-PFA

7063 - 9SS24M24XMJ24-Ni-V  
 7064 - 9SS24M24XMJ24-Ni-AL  
 7065 - 9SS24M24XMJ24-Ni-PFA

(V) = Viton  
 (AL) = Aflas

**ITEM # - DESCRIPTION**

90° Male Bulkhead (J.I.C.) **PAGE 33**  
X Male (J.I.C.)

8010 - 9SS8MJ8XJM8-Z-V  
 8011 - 9SS8MJ8XJM8-Z-AL  
 8012 - 9SS8MJ8XJM8-Z-PFA  
 8013 - 9SS8MJ8XJM8-Ni-V  
 8014 - 9SS8MJ8XJM8-Ni-AL  
 8015 - 9SS8MJ8XJM8-Ni-PFA

8020 - 9SS8MJB10XMJ10-Z-V  
 8021 - 9SS8MJB10XMJ10-Z-AL  
 8022 - 9SS8MJB10XMJ10-Z-PFA  
 8023 - 9SS8MJB10XMJ10-Ni-V  
 8024 - 9SS8MJB10XMJ10-Ni-AL  
 8025 - 9SS8MJB10XMJ10-Ni-PFA

8030 - 9SS12MJB12XMJ12-Z-V  
 8031 - 9SS12MJB12XMJ12-Z-AL  
 8032 - 9SS12MJB12XMJ12-Z-PFA  
 8033 - 9SS12MJB12XMJ12-Ni-V  
 8034 - 9SS12MJB12XMJ12-Ni-AL  
 8035 - 9SS12MJB12XMJ12-Ni-PFA

8040 - 9SS16MJB16XMJ16-Z-V  
 8041 - 9SS16MJB16XMJ16-Z-AL  
 8042 - 9SS16MJB16XMJ16-Z-PFA  
 8043 - 9SS16MJB16XMJ16-Ni-V  
 8044 - 9SS16MJB16XMJ16-Ni-AL  
 8045 - 9SS16MJB16XMJ16-Ni-PFA

8050 - 9SS20MJB20XMJ20-Z-V  
 8051 - 9SS20MJB20XMJ20-Z-AL  
 8052 - 9SS20MJB20XMJ20-Z-PFA  
 8053 - 9SS20MJB20XMJ20-Ni-V  
 8054 - 9SS20MJB20XMJ20-Ni-AL  
 8055 - 9SS20MJB20XMJ20-Ni-PFA

90° Female Pipe (N.P.T.F.) **PAGE 34**  
X Male Pipe (N.P.T.F.)

7100 - 9SS4FP25XMP25-Z-V  
 7101 - 9SS4FP25XMP25-Z-AL  
 7102 - 9SS4FP25XMP25-Z-PFA  
 7103 - 9SS4FP25XMP25-Ni-V  
 7104 - 9SS4FP25XMP25-Ni-AL  
 7105 - 9SS4FP25XMP25-Ni-PFA

7110 - 9SS8FP38XMP38-Z-V  
 7111 - 9SS8FP38XMP38-Z-AL  
 7112 - 9SS8FP38XMP38-Z-PFA  
 7113 - 9SS8FP38XMP38-Ni-V  
 7114 - 9SS8FP38XMP38-Ni-AL  
 7115 - 9SS8FP38XMP38-Ni-PFA

7120 - 9SS8FP38XMP50-Z-V  
 7121 - 9SS8FP38XMP50-Z-AL  
 7122 - 9SS8FP38XMP50-Z-PFA  
 7123 - 9SS8FP38XMP50-Ni-V  
 7124 - 9SS8FP38XMP50-Ni-AL  
 7125 - 9SS8FP38XMP50-Ni-PFA

7130 - 9SS8FP50XMP38-Z-V  
 7131 - 9SS8FP50XMP38-Z-AL  
 7132 - 9SS8FP50XMP38-Z-PFA  
 7133 - 9SS8FP50XMP38-Ni-V  
 7134 - 9SS8FP50XMP38-Ni-AL  
 7135 - 9SS8FP50XMP38-Ni-PFA

7140 - 9SS8FP50XMP50-Z-V  
 7141 - 9SS8FP50XMP50-Z-AL  
 7142 - 9SS8FP50XMP50-Z-PFA  
 7143 - 9SS8FP50XMP50-Ni-V  
 7144 - 9SS8FP50XMP50-Ni-AL  
 7145 - 9SS8FP50XMP50-Ni-PFA

7150 - 9SS12FP75XMP75-Z-V  
 7151 - 9SS12FP75XMP75-Z-AL  
 7152 - 9SS12FP75XMP75-Z-PFA  
 7153 - 9SS12FP75XMP75-Ni-V  
 7154 - 9SS12FP75XMP75-Ni-AL  
 7155 - 9SS12FP75XMP75-Ni-PFA

7160 - 9SS16FP100XMP100-Z-V  
 7161 - 9SS16FP100XMP100-Z-AL  
 7162 - 9SS16FP100XMP100-Z-PFA

**ITEM # - DESCRIPTION**

7170 - 9SS20FP125XMP125-Z-V  
 7171 - 9SS20FP125XMP125-Z-AL  
 7172 - 9SS20FP125XMP125-Z-PFA  
 7173 - 9SS20FP125XMP125-Ni-V  
 7174 - 9SS20FP125XMP125-Ni-AL  
 7175 - 9SS20FP125XMP125-Ni-PFA

7183 - 9SS24FP150XMP150-Ni-V  
 7184 - 9SS24FP150XMP150-Ni-AL  
 7185 - 9SS24FP150XMP150-Ni-PFA

90° Male Pipe (N.P.T.F.) **PAGE 34**  
X Male Pipe (N.P.T.F.)

7200 - 9SS4MP25XMP25-Z-V  
 7201 - 9SS4MP25XMP25-Z-AL  
 7202 - 9SS4MP25XMP25-Z-PFA  
 7203 - 9SS4MP25XMP25-Ni-V  
 7204 - 9SS4MP25XMP25-Ni-AL  
 7205 - 9SS4MP25XMP25-Ni-PFA

7290 - 9SS4MP38XMP38-Z-V  
 7291 - 9SS4MP38XMP38-Z-AL  
 7292 - 9SS4MP38XMP38-Z-PFA  
 7293 - 9SS4MP38XMP38-Ni-V  
 7294 - 9SS4MP38XMP38-Ni-AL  
 7295 - 9SS4MP38XMP38-Ni-PFA

7210 - 9SS8MP38XMP38-Z-V  
 7211 - 9SS8MP38XMP38-Z-AL  
 7212 - 9SS8MP38XMP38-Z-PFA  
 7213 - 9SS8MP38XMP38-Ni-V  
 7214 - 9SS8MP38XMP38-Ni-AL  
 7215 - 9SS8MP38XMP38-Ni-PFA

7220 - 9SS8MP38XMP50-Z-V  
 7221 - 9SS8MP38XMP50-Z-AL  
 7222 - 9SS8MP38XMP50-Z-PFA  
 7223 - 9SS8MP38XMP50-Ni-V  
 7224 - 9SS8MP38XMP50-Ni-AL  
 7225 - 9SS8MP38XMP50-Ni-PFA

7230 - 9SS8MP50XMP38-Z-V  
 7231 - 9SS8MP50XMP38-Z-AL  
 7232 - 9SS8MP50XMP38-Z-PFA  
 7233 - 9SS8MP50XMP38-Ni-V  
 7234 - 9SS8MP50XMP38-Ni-AL  
 7235 - 9SS8MP50XMP38-Ni-PFA

7240 - 9SS8MP50XMP50-Z-V  
 7241 - 9SS8MP50XMP50-Z-AL  
 7242 - 9SS8MP50XMP50-Z-PFA  
 7243 - 9SS8MP50XMP50-Ni-V  
 7244 - 9SS8MP50XMP50-Ni-AL  
 7245 - 9SS8MP50XMP50-Ni-PFA

7250 - 9SS12MP75XMP75-Z-V  
 7251 - 9SS12MP75XMP75-Z-AL  
 7252 - 9SS12MP75XMP75-Z-PFA  
 7253 - 9SS12MP75XMP75-Ni-V  
 7254 - 9SS12MP75XMP75-Ni-AL  
 7255 - 9SS12MP75XMP75-Ni-PFA

7260 - 9SS16MP100XMP100-Z-V  
 7261 - 9SS16MP100XMP100-Z-AL  
 7262 - 9SS16MP100XMP100-Z-PFA  
 7263 - 9SS16MP100XMP100-Ni-V  
 7264 - 9SS16MP100XMP100-Ni-AL  
 7265 - 9SS16MP100XMP100-Ni-PFA

7270 - 9SS20MP125XMP125-Z-V  
 7271 - 9SS20MP125XMP125-Z-AL  
 7272 - 9SS20MP125XMP125-Z-PFA  
 7273 - 9SS20MP125XMP125-Ni-V  
 7274 - 9SS20MP125XMP125-Ni-AL  
 7275 - 9SS20MP125XMP125-Ni-PFA

7283 - 9SS24MP150XMP150-Ni-V  
 7284 - 9SS24MP150XMP150-Ni-AL  
 7285 - 9SS24MP150XMP150-Ni-PFA

90° Male (O.R.E.) **PAGE 35**  
X Male Pipe (N.P.T.F.)

21034 - 9SS4MO4XMP25-Z-V  
 7300 - 9SS4MO6XMP25-Z-V

**ITEM # - DESCRIPTION**

7303 - 9SS4MO6XMP25-Ni-V  
 7304 - 9SS4MO6XMP25-Ni-AL  
 7305 - 9SS4MO6XMP25-Ni-PFA

7390 - 9SS4MO6XMP38-Z-V  
 7391 - 9SS4MO6XMP38-Z-AL  
 7392 - 9SS4MO6XMP38-Z-PFA  
 7393 - 9SS4MO6XMP38-Ni-V  
 7394 - 9SS4MO6XMP38-Ni-AL  
 7395 - 9SS4MO6XMP38-Ni-PFA

7310 - 9SS8MO8XMP38-Z-V  
 7311 - 9SS8MO8XMP38-Z-AL  
 7312 - 9SS8MO8XMP38-Z-PFA  
 7313 - 9SS8MO8XMP38-Ni-V  
 7314 - 9SS8MO8XMP38-Ni-AL  
 7315 - 9SS8MO8XMP38-Ni-PFA

7320 - 9SS8MO8XMP50-Z-V  
 7321 - 9SS8MO8XMP50-Z-AL  
 7322 - 9SS8MO8XMP50-Z-PFA  
 7323 - 9SS8MO8XMP50-Ni-V  
 7324 - 9SS8MO8XMP50-Ni-AL  
 7325 - 9SS8MO8XMP50-Ni-PFA

7330 - 9SS8MO10XMP38-Z-V  
 7331 - 9SS8MO10XMP38-Z-AL  
 7332 - 9SS8MO10XMP38-Z-PFA  
 7333 - 9SS8MO10XMP38-Ni-V  
 7334 - 9SS8MO10XMP38-Ni-AL  
 7335 - 9SS8MO10XMP38-Ni-PFA

7340 - 9SS8MO10XMP50-Z-V  
 7341 - 9SS8MO10XMP50-Z-AL  
 7342 - 9SS8MO10XMP50-Z-PFA  
 7343 - 9SS8MO10XMP50-Ni-V  
 7344 - 9SS8MO10XMP50-Ni-AL  
 7345 - 9SS8MO10XMP50-Ni-PFA

7350 - 9SS12MO12XMP75-Z-V  
 7351 - 9SS12MO12XMP75-Z-AL  
 7352 - 9SS12MO12XMP75-Z-PFA  
 7353 - 9SS12MO12XMP75-Ni-V  
 7354 - 9SS12MO12XMP75-Ni-AL  
 7355 - 9SS12MO12XMP75-Ni-PFA

7360 - 9SS16MO16XMP100-Z-V  
 7361 - 9SS16MO16XMP100-Z-AL  
 7362 - 9SS16MO16XMP100-Z-PFA  
 7363 - 9SS16MO16XMP100-Ni-V  
 7364 - 9SS16MO16XMP100-Ni-AL  
 7365 - 9SS16MO16XMP100-Ni-PFA

7370 - 9SS20MO20XMP125-Z-V  
 7371 - 9SS20MO20XMP125-Z-AL  
 7372 - 9SS20MO20XMP125-Z-PFA  
 7373 - 9SS20MO20XMP125-Ni-V  
 7374 - 9SS20MO20XMP125-Ni-AL  
 7375 - 9SS20MO20XMP125-Ni-PFA

7383 - 9SS24MO24XMP150-Ni-V  
 7384 - 9SS24MO24XMP150-Ni-AL  
 7385 - 9SS24MO24XMP150-Ni-PFA

90° Male (J.I.C.) **PAGE 35**  
X Male Pipe (N.P.T.F.)

21057 - 9SS4MJ4XMP25-Z-V  
 7400 - 9SS4MJ6XMP25-Z-V  
 7401 - 9SS4MJ6XMP25-Z-AL  
 7402 - 9SS4MJ6XMP25-Z-PFA  
 7403 - 9SS4MJ6XMP25-Ni-V  
 7404 - 9SS4MJ6XMP25-Ni-AL  
 7405 - 9SS4MJ6XMP25-Ni-PFA

7490 - 9SS4MJ6XMP38-Z-V  
 7491 - 9SS4MJ6XMP38-Z-AL  
 7492 - 9SS4MJ6XMP38-Z-PFA  
 7493 - 9SS4MJ6XMP38-Ni-V  
 7494 - 9SS4MJ6XMP38-Ni-AL  
 7495 - 9SS4MJ6XMP38-Ni-PFA

7410 - 9SS8MJ8XMP38-Z-V  
 7411 - 9SS8MJ8XMP38-Z-AL  
 7412 - 9SS8MJ8XMP38-Z-PFA  
 7413 - 9SS8MJ8XMP38-Ni-V

**ITEM # - DESCRIPTION**

7420 - 9SS8MJ8XMP50-Z-V  
 7421 - 9SS8MJ8XMP50-Z-AL  
 7422 - 9SS8MJ8XMP50-Z-PFA  
 7423 - 9SS8MJ8XMP50-Ni-V  
 7424 - 9SS8MJ8XMP50-Ni-AL  
 7425 - 9SS8MJ8XMP50-Ni-PFA

7430 - 9SS8MJ10XMP38-Z-V  
 7431 - 9SS8MJ10XMP38-Z-AL  
 7432 - 9SS8MJ10XMP38-Z-PFA  
 7433 - 9SS8MJ10XMP38-Ni-V  
 7434 - 9SS8MJ10XMP38-Ni-AL  
 7435 - 9SS8MJ10XMP38-Ni-PFA

7440 - 9SS8MJ10XMP50-Z-V  
 7441 - 9SS8MJ10XMP50-Z-AL  
 7442 - 9SS8MJ10XMP50-Z-PFA  
 7443 - 9SS8MJ10XMP50-Ni-V  
 7444 - 9SS8MJ10XMP50-Ni-AL  
 7445 - 9SS8MJ10XMP50-Ni-PFA

7450 - 9SS12MJ12XMP75-Z-V  
 7451 - 9SS12MJ12XMP75-Z-AL  
 7452 - 9SS12MJ12XMP75-Z-PFA  
 7453 - 9SS12MJ12XMP75-Ni-V  
 7454 - 9SS12MJ12XMP75-Ni-AL  
 7455 - 9SS12MJ12XMP75-Ni-PFA

7460 - 9SS16MJ16XMP100-Z-V  
 7461 - 9SS16MJ16XMP100-Z-AL  
 7462 - 9SS16MJ16XMP100-Z-PFA  
 7463 - 9SS16MJ16XMP100-Ni-V  
 7464 - 9SS16MJ16XMP100-Ni-AL  
 7465 - 9SS16MJ16XMP100-Ni-PFA

7470 - 9SS20MJ20XMP125-Z-V  
 7471 - 9SS20MJ20XMP125-Z-AL  
 7472 - 9SS20MJ20XMP125-Z-PFA  
 7473 - 9SS20MJ20XMP125-Ni-V  
 7474 - 9SS20MJ20XMP125-Ni-AL  
 7475 - 9SS20MJ20XMP125-Ni-PFA

7483 - 9SS24MJ24XMP150-Ni-V  
 7484 - 9SS24MJ24XMP150-Ni-AL  
 7485 - 9SS24MJ24XMP150-Ni-PFA

90° Male Bulkhead (J.I.C.) **PAGE 36**  
X Male Pipe (N.P.T.F.)

7500 - 9SS8MJ8XMP38-Z-V  
 7501 - 9SS8MJ8XMP38-Z-AL  
 7502 - 9SS8MJ8XMP38-Z-PFA  
 7503 - 9SS8MJ8XMP38-Ni-V  
 7504 - 9SS8MJ8XMP38-Ni-AL  
 7505 - 9SS8MJ8XMP38-Ni-PFA

7510 - 9SS8MJ8XMP50-Z-V  
 7511 - 9SS8MJ8XMP50-Z-AL  
 7512 - 9SS8MJ8XMP50-Z-PFA  
 7513 - 9SS8MJ8XMP50-Ni-V  
 7514 - 9SS8MJ8XMP50-Ni-AL  
 7515 - 9SS8MJ8XMP50-Ni-PFA

7520 - 9SS8MJ10XMP50-Z-V  
 7521 - 9SS8MJ10XMP50-Z-AL  
 7522 - 9SS8MJ10XMP50-Z-PFA  
 7523 - 9SS8MJ10XMP50-Ni-V  
 7524 - 9SS8MJ10XMP50-Ni-AL  
 7525 - 9SS8MJ10XMP50-Ni-PFA

7530 - 9SS12MJ12XMP75-Z-V  
 7531 - 9SS12MJ12XMP75-Z-AL  
 7532 - 9SS12MJ12XMP75-Z-PFA  
 7533 - 9SS12MJ12XMP75-Ni-V  
 7534 - 9SS12MJ12XMP75-Ni-AL  
 7535 - 9SS12MJ12XMP75-Ni-PFA

7540 - 9SS16MJ16XMP100-Z-V  
 7541 - 9SS16MJ16XMP100-Z-AL  
 7542 - 9SS16MJ16XMP100-Z-PFA  
 7543 - 9SS16MJ16XMP100-Ni-V  
 7544 - 9SS16MJ16XMP100-Ni-AL  
 7545 - 9SS16MJ16XMP100-Ni-PFA

7550 - 9SS20MJ20XMP125-Z-V  
 7551 - 9SS20MJ20XMP125-Z-AL  
 7552 - 9SS20MJ20XMP125-Z-PFA

**ITEM # - DESCRIPTION**

90° Wheel Motor Swivels **PAGE 36**

5760 - 9SS4MO10XFO6-Z-V  
5770 - 9SS4MO10XFO6-Z-V-001

90° Female Pipe (N.P.T.F.)  
X Male Face Seal (M.F.S.) **PAGE 37**

8400 - 9SS4FP25XMF56-Z-V  
8401 - 9SS4FP25XMF56-Z-AL  
8402 - 9SS4FP25XMF56-Z-PFA  
8403 - 9SS4FP25XMF56-Ni-V  
8404 - 9SS4FP25XMF56-Ni-AL  
8405 - 9SS4FP25XMF56-Ni-PFA

8410 - 9SS8FP38XMF56-Z-V  
8411 - 9SS8FP38XMF56-Z-AL  
8412 - 9SS8FP38XMF56-Z-PFA  
8413 - 9SS8FP38XMF56-Ni-V  
8414 - 9SS8FP38XMF56-Ni-AL  
8415 - 9SS8FP38XMF56-Ni-PFA

8420 - 9SS8FP38XMF58-Z-V  
8421 - 9SS8FP38XMF58-Z-AL  
8422 - 9SS8FP38XMF58-Z-PFA  
8423 - 9SS8FP38XMF58-Ni-V  
8424 - 9SS8FP38XMF58-Ni-AL  
8425 - 9SS8FP38XMF58-Ni-PFA

8430 - 9SS8FP50XMF58-Z-V  
8431 - 9SS8FP50XMF58-Z-AL  
8432 - 9SS8FP50XMF58-Z-PFA  
8433 - 9SS8FP50XMF58-Ni-V  
8434 - 9SS8FP50XMF58-Ni-AL  
8435 - 9SS8FP50XMF58-Ni-PFA

8440 - 9SS8FP50XMF510-Z-V  
8441 - 9SS8FP50XMF510-Z-AL  
8442 - 9SS8FP50XMF510-Z-PFA  
8443 - 9SS8FP50XMF510-Ni-V  
8444 - 9SS8FP50XMF510-Ni-AL  
8445 - 9SS8FP50XMF510-Ni-PFA

8450 - 9SS12FP75XMF512-Z-V  
8451 - 9SS12FP75XMF512-Z-AL  
8452 - 9SS12FP75XMF512-Z-PFA  
8453 - 9SS12FP75XMF512-Ni-V  
8454 - 9SS12FP75XMF512-Ni-AL  
8455 - 9SS12FP75XMF512-Ni-PFA

8460 - 9SS16FP100XMF516-Z-V  
8461 - 9SS16FP100XMF516-Z-AL  
8462 - 9SS16FP100XMF516-Z-PFA  
8463 - 9SS16FP100XMF516-Ni-V  
8464 - 9SS16FP100XMF516-Ni-AL  
8465 - 9SS16FP100XMF516-Ni-PFA

8470 - 9SS20FP125XMF520-Z-V  
8471 - 9SS20FP125XMF520-Z-AL  
8472 - 9SS20FP125XMF520-Z-PFA  
8473 - 9SS20FP125XMF520-Ni-V  
8474 - 9SS20FP125XMF520-Ni-AL  
8475 - 9SS20FP125XMF520-Ni-PFA

8483 - 9SS24FP150XMF524-Ni-V  
8484 - 9SS24FP150XMF524-Ni-AL  
8485 - 9SS24FP150XMF524-Ni-PFA

90° Male Pipe (N.P.T.F.)  
X Male Face Seal (M.F.S.) **PAGE 37**

8500 - 9SS4MP25XMF56-Z-V  
8501 - 9SS4MP25XMF56-Z-AL  
8502 - 9SS4MP25XMF56-Z-PFA  
8503 - 9SS4MP25XMF56-Ni-V  
8504 - 9SS4MP25XMF56-Ni-AL  
8505 - 9SS4MP25XMF56-Ni-PFA

8510 - 9SS4MP38XMF56-Z-V  
8511 - 9SS4MP38XMF56-Z-AL  
8512 - 9SS4MP38XMF56-Z-PFA  
8513 - 9SS4MP38XMF56-Ni-V  
8514 - 9SS4MP38XMF56-Ni-AL  
8515 - 9SS4MP38XMF56-Ni-PFA

**ITEM # - DESCRIPTION**

8520 - 9SS8MP38XMF56-Z-V  
8521 - 9SS8MP38XMF56-Z-AL  
8522 - 9SS8MP38XMF56-Z-PFA  
8523 - 9SS8MP38XMF56-Ni-V  
8524 - 9SS8MP38XMF56-Ni-AL  
8525 - 9SS8MP38XMF56-Ni-PFA

8530 - 9SS8MP38XMF58-Z-V  
8531 - 9SS8MP38XMF58-Z-AL  
8532 - 9SS8MP38XMF58-Z-PFA  
8533 - 9SS8MP38XMF58-Ni-V  
8534 - 9SS8MP38XMF58-Ni-AL  
8535 - 9SS8MP38XMF58-Ni-PFA

8540 - 9SS8MP50XMF58-Z-V  
8541 - 9SS8MP50XMF58-Z-AL  
8542 - 9SS8MP50XMF58-Z-PFA  
8543 - 9SS8MP50XMF58-Ni-V  
8544 - 9SS8MP50XMF58-Ni-AL  
8545 - 9SS8MP50XMF58-Ni-PFA

8550 - 9SS8MP50XMF510-Z-V  
8551 - 9SS8MP50XMF510-Z-AL  
8552 - 9SS8MP50XMF510-Z-PFA  
8553 - 9SS8MP50XMF510-Ni-V  
8554 - 9SS8MP50XMF510-Ni-AL  
8555 - 9SS8MP50XMF510-Ni-PFA

8560 - 9SS12MP75XMF512-Z-V  
8561 - 9SS12MP75XMF512-Z-AL  
8562 - 9SS12MP75XMF512-Z-PFA  
8563 - 9SS12MP75XMF512-Ni-V  
8564 - 9SS12MP75XMF512-Ni-AL  
8565 - 9SS12MP75XMF512-Ni-PFA

8570 - 9SS16MP100XMF516-Z-V  
8571 - 9SS16MP100XMF516-Z-AL  
8572 - 9SS16MP100XMF516-Z-PFA  
8573 - 9SS16MP100XMF516-Ni-V  
8574 - 9SS16MP100XMF516-Ni-AL  
8575 - 9SS16MP100XMF516-Ni-PFA

8580 - 9SS20MP125XMF520-Z-V  
8581 - 9SS20MP125XMF520-Z-AL  
8582 - 9SS20MP125XMF520-Z-PFA  
8583 - 9SS20MP125XMF520-Ni-V  
8584 - 9SS20MP125XMF520-Ni-AL  
8585 - 9SS20MP125XMF520-Ni-PFA

8593 - 9SS24MP150XMF524-Ni-V  
8594 - 9SS24MP150XMF524-Ni-AL  
8595 - 9SS24MP150XMF524-Ni-PFA

90° Male (J.I.C.)  
X Male Face Seal (M.F.S.) **PAGE 38**

21036 - 9SS4MJ4XMF54-Z-V  
8200 - 9SS4MJ6XMF56-Z-V  
8201 - 9SS4MJ6XMF56-Z-AL  
8202 - 9SS4MJ6XMF56-Z-PFA  
8203 - 9SS4MJ6XMF56-Ni-V  
8204 - 9SS4MJ6XMF56-Ni-AL  
8205 - 9SS4MJ6XMF56-Ni-PFA

8210 - 9SS8MJ8XMF56-Z-V  
8211 - 9SS8MJ8XMF56-Z-AL  
8212 - 9SS8MJ8XMF56-Z-PFA  
8213 - 9SS8MJ8XMF56-Ni-V  
8214 - 9SS8MJ8XMF56-Ni-AL  
8215 - 9SS8MJ8XMF56-Ni-PFA

8220 - 9SS8MJ8XMF58-Z-V  
8221 - 9SS8MJ8XMF58-Z-AL  
8222 - 9SS8MJ8XMF58-Z-PFA  
8223 - 9SS8MJ8XMF58-Ni-V  
8224 - 9SS8MJ8XMF58-Ni-AL  
8225 - 9SS8MJ8XMF58-Ni-PFA

8230 - 9SS8MJ8XMF510-Z-V  
8231 - 9SS8MJ8XMF510-Z-AL  
8232 - 9SS8MJ8XMF510-Z-PFA  
8233 - 9SS8MJ8XMF510-Ni-V  
8234 - 9SS8MJ8XMF510-Ni-AL  
8235 - 9SS8MJ8XMF510-Ni-PFA

**ITEM # - DESCRIPTION**

8240 - 9SS8MJ10XMF58-Z-V  
8241 - 9SS8MJ10XMF58-Z-AL  
8242 - 9SS8MJ10XMF58-Z-PFA  
8243 - 9SS8MJ10XMF58-Ni-V  
8244 - 9SS8MJ10XMF58-Ni-AL  
8245 - 9SS8MJ10XMF58-Ni-PFA

8250 - 9SS8MJ10XMF510-Z-V  
8251 - 9SS8MJ10XMF510-Z-AL  
8252 - 9SS8MJ10XMF510-Z-PFA  
8253 - 9SS8MJ10XMF510-Ni-V  
8254 - 9SS8MJ10XMF510-Ni-AL  
8255 - 9SS8MJ10XMF510-Ni-PFA

8260 - 9SS12MJ12XMF512-Z-V  
8261 - 9SS12MJ12XMF512-Z-AL  
8262 - 9SS12MJ12XMF512-Z-PFA  
8263 - 9SS12MJ12XMF512-Ni-V  
8264 - 9SS12MJ12XMF512-Ni-AL  
8265 - 9SS12MJ12XMF512-Ni-PFA

8270 - 9SS16MJ16XMF516-Z-V  
8271 - 9SS16MJ16XMF516-Z-AL  
8272 - 9SS16MJ16XMF516-Z-PFA  
8273 - 9SS16MJ16XMF516-Ni-V  
8274 - 9SS16MJ16XMF516-Ni-AL  
8275 - 9SS16MJ16XMF516-Ni-PFA

8280 - 9SS20MJ20XMF520-Z-V  
8281 - 9SS20MJ20XMF520-Z-AL  
8282 - 9SS20MJ20XMF520-Z-PFA  
8283 - 9SS20MJ20XMF520-Ni-V  
8284 - 9SS20MJ20XMF520-Ni-AL  
8285 - 9SS20MJ20XMF520-Ni-PFA

8293 - 9SS24MJ24XMF524-Ni-V  
8294 - 9SS24MJ24XMF524-Ni-AL  
8295 - 9SS24MJ24XMF524-Ni-PFA

90° Male Bulkhead (J.I.C.)  
X Male Face Seal (M.F.S.) **PAGE 38**

8300 - 9SS8MJB8XMF56-Z-V  
8301 - 9SS8MJB8XMF56-Z-AL  
8302 - 9SS8MJB8XMF56-Z-PFA  
8303 - 9SS8MJB8XMF56-Ni-V  
8304 - 9SS8MJB8XMF56-Ni-AL  
8305 - 9SS8MJB8XMF56-Ni-PFA

8310 - 9SS8MJB8XMF58-Z-V  
8311 - 9SS8MJB8XMF58-Z-AL  
8312 - 9SS8MJB8XMF58-Z-PFA  
8313 - 9SS8MJB8XMF58-Ni-V  
8314 - 9SS8MJB8XMF58-Ni-AL  
8315 - 9SS8MJB8XMF58-Ni-PFA

8320 - 9SS8MJB8XMF510-Z-V  
8321 - 9SS8MJB8XMF510-Z-AL  
8322 - 9SS8MJB8XMF510-Z-PFA  
8323 - 9SS8MJB8XMF510-Ni-V  
8324 - 9SS8MJB8XMF510-Ni-AL  
8325 - 9SS8MJB8XMF510-Ni-PFA

8330 - 9SS8MJB10XMF56-Z-V  
8331 - 9SS8MJB10XMF56-Z-AL  
8332 - 9SS8MJB10XMF56-Z-PFA  
8333 - 9SS8MJB10XMF56-Ni-V  
8334 - 9SS8MJB10XMF56-Ni-AL  
8335 - 9SS8MJB10XMF56-Ni-PFA

8340 - 9SS8MJB10XMF58-Z-V  
8341 - 9SS8MJB10XMF58-Z-AL  
8342 - 9SS8MJB10XMF58-Z-PFA  
8343 - 9SS8MJB10XMF58-Ni-V  
8344 - 9SS8MJB10XMF58-Ni-AL  
8345 - 9SS8MJB10XMF58-Ni-PFA

8350 - 9SS8MJB10XMF510-Z-V  
8351 - 9SS8MJB10XMF510-Z-AL  
8352 - 9SS8MJB10XMF510-Z-PFA  
8353 - 9SS8MJB10XMF510-Ni-V  
8354 - 9SS8MJB10XMF510-Ni-AL  
8355 - 9SS8MJB10XMF510-Ni-PFA

8360 - 9SS12MJB12XMF512-Z-V

**ITEM # - DESCRIPTION**

8364 - 9SS12MJB12XMF512-Ni-AL  
8365 - 9SS12MJB12XMF512-Ni-PFA

8370 - 9SS16MJB16XMF516-Z-V  
8371 - 9SS16MJB16XMF516-Z-AL  
8372 - 9SS16MJB16XMF516-Z-PFA  
8373 - 9SS16MJB16XMF516-Ni-V  
8374 - 9SS16MJB16XMF516-Ni-AL  
8375 - 9SS16MJB16XMF516-Ni-PFA

8380 - 9SS20MJB20XMF520-Z-V  
8381 - 9SS20MJB20XMF520-Z-AL  
8382 - 9SS20MJB20XMF520-Z-PFA  
8383 - 9SS20MJB20XMF520-Ni-V  
8384 - 9SS20MJB20XMF520-Ni-AL  
8385 - 9SS20MJB20XMF520-Ni-PFA

90° Male (O.R.B.)  
X Male Face Seal (M.F.S.) **PAGE 39**

21037 - 9SS4MO4XMF54-Z-V  
8600 - 9SS4MO6XMF56-Z-V  
8601 - 9SS4MO6XMF56-Z-AL  
8602 - 9SS4MO6XMF56-Z-PFA  
8603 - 9SS4MO6XMF56-Ni-V  
8604 - 9SS4MO6XMF56-Ni-AL  
8605 - 9SS4MO6XMF56-Ni-PFA

8610 - 9SS8MO8XMF56-Z-V  
8611 - 9SS8MO8XMF56-Z-AL  
8612 - 9SS8MO8XMF56-Z-PFA  
8613 - 9SS8MO8XMF56-Ni-V  
8614 - 9SS8MO8XMF56-Ni-AL  
8615 - 9SS8MO8XMF56-Ni-PFA

8620 - 9SS8MO8XMF58-Z-V  
8621 - 9SS8MO8XMF58-Z-AL  
8622 - 9SS8MO8XMF58-Z-PFA  
8623 - 9SS8MO8XMF58-Ni-V  
8624 - 9SS8MO8XMF58-Ni-AL  
8625 - 9SS8MO8XMF58-Ni-PFA

8630 - 9SS8MO8XMF510-Z-V  
8631 - 9SS8MO8XMF510-Z-AL  
8632 - 9SS8MO8XMF510-Z-PFA  
8633 - 9SS8MO8XMF510-Ni-V  
8634 - 9SS8MO8XMF510-Ni-AL  
8635 - 9SS8MO8XMF510-Ni-PFA

8640 - 9SS8MO10XMF58-Z-V  
8641 - 9SS8MO10XMF58-Z-AL  
8642 - 9SS8MO10XMF58-Z-PFA  
8643 - 9SS8MO10XMF58-Ni-V  
8644 - 9SS8MO10XMF58-Ni-AL  
8645 - 9SS8MO10XMF58-Ni-PFA

8650 - 9SS8MO10XMF510-Z-V  
8651 - 9SS8MO10XMF510-Z-AL  
8652 - 9SS8MO10XMF510-Z-PFA  
8653 - 9SS8MO10XMF510-Ni-V  
8654 - 9SS8MO10XMF510-Ni-AL  
8655 - 9SS8MO10XMF510-Ni-PFA

8660 - 9SS12MO12XMF512-Z-V  
8661 - 9SS12MO12XMF512-Z-AL  
8662 - 9SS12MO12XMF512-Z-PFA  
8663 - 9SS12MO12XMF512-Ni-V  
8664 - 9SS12MO12XMF512-Ni-AL  
8665 - 9SS12MO12XMF512-Ni-PFA

8670 - 9SS16MO16XMF516-Z-V  
8671 - 9SS16MO16XMF516-Z-AL  
8672 - 9SS16MO16XMF516-Z-PFA  
8673 - 9SS16MO16XMF516-Ni-V  
8674 - 9SS16MO16XMF516-Ni-AL  
8675 - 9SS16MO16XMF516-Ni-PFA

8680 - 9SS20MO20XMF520-Z-V  
8681 - 9SS20MO20XMF520-Z-AL  
8682 - 9SS20MO20XMF520-Z-PFA  
8683 - 9SS20MO20XMF520-Ni-V  
8684 - 9SS20MO20XMF520-Ni-AL  
8685 - 9SS20MO20XMF520-Ni-PFA

8693 - 9SS24MO24XMF524-Ni-V  
8694 - 9SS24MO24XMF524-Ni-AL

**ITEM # - DESCRIPTION**

**90° Male Face Seal (M.F.S.)** **PAGE 39**  
**X Male Face Seal (M.F.S.)**

- 7600 - 9SS4MFS6XMFS6-Z-V
- 7601 - 9SS4MFS6XMFS6-Z-AL
- 7602 - 9SS4MFS6XMFS6-Z-PFA
- 7603 - 9SS4MFS6XMFS6-NI-V
- 7604 - 9SS4MFS6XMFS6-NI-AL
- 7605 - 9SS4MFS6XMFS6-NI-PFA
  
- 7610 - 9SS8MFS8XMFS8-Z-V
- 7611 - 9SS8MFS8XMFS8-Z-AL
- 7612 - 9SS8MFS8XMFS8-Z-PFA
- 7613 - 9SS8MFS8XMFS8-NI-V
- 7614 - 9SS8MFS8XMFS8-NI-AL
- 7615 - 9SS8MFS8XMFS8-NI-PFA
  
- 7620 - 9SS8MFS10XMFS10-Z-V
- 7621 - 9SS8MFS10XMFS10-Z-AL
- 7622 - 9SS8MFS10XMFS10-Z-PFA
- 7623 - 9SS8MFS10XMFS10-NI-V
- 7624 - 9SS8MFS10XMFS10-NI-AL
- 7625 - 9SS8MFS10XMFS10-NI-PFA
  
- 7630 - 9SS12MFS12XMFS12-Z-V
- 7631 - 9SS12MFS12XMFS12-Z-AL
- 7632 - 9SS12MFS12XMFS12-Z-PFA
- 7633 - 9SS12MFS12XMFS12-NI-V
- 7634 - 9SS12MFS12XMFS12-NI-AL
- 7635 - 9SS12MFS12XMFS12-NI-PFA
  
- 7640 - 9SS16MFS16XMFS16-Z-V
- 7641 - 9SS16MFS16XMFS16-Z-AL
- 7642 - 9SS16MFS16XMFS16-Z-PFA
- 7643 - 9SS16MFS16XMFS16-NI-V
- 7644 - 9SS16MFS16XMFS16-NI-AL
- 7645 - 9SS16MFS16XMFS16-NI-PFA
  
- 7650 - 9SS20MFS20XMFS20-Z-V
- 7651 - 9SS20MFS20XMFS20-Z-AL
- 7652 - 9SS20MFS20XMFS20-Z-PFA
- 7653 - 9SS20MFS20XMFS20-NI-V
- 7654 - 9SS20MFS20XMFS20-NI-AL
- 7655 - 9SS20MFS20XMFS20-NI-PFA
  
- 7663 - 9SS24MFS24XMFS24-NI-V
- 7664 - 9SS24MFS24XMFS24-NI-AL
- 7665 - 9SS24MFS24XMFS24-NI-PFA
  
- 90° Female Face Seal (F.F.S.)** **PAGE 40**  
**X Male Face Seal (M.F.S.)**
- 7700 - 9SS4FFS6XMFS6-Z-V
- 7701 - 9SS4FFS6XMFS6-Z-AL
- 7702 - 9SS4FFS6XMFS6-Z-PFA
- 7703 - 9SS4FFS6XMFS6-NI-V
- 7704 - 9SS4FFS6XMFS6-NI-AL
- 7705 - 9SS4FFS6XMFS6-NI-PFA
  
- 7710 - 9SS8FFS8XMFS8-Z-V
- 7711 - 9SS8FFS8XMFS8-Z-AL
- 7712 - 9SS8FFS8XMFS8-Z-PFA
- 7713 - 9SS8FFS8XMFS8-NI-V
- 7714 - 9SS8FFS8XMFS8-NI-AL
- 7715 - 9SS8FFS8XMFS8-NI-PFA
  
- 7720 - 9SS8FFS10XMFS10-Z-V
- 7721 - 9SS8FFS10XMFS10-Z-AL
- 7722 - 9SS8FFS10XMFS10-Z-PFA
- 7723 - 9SS8FFS10XMFS10-NI-V
- 7724 - 9SS8FFS10XMFS10-NI-AL
- 7725 - 9SS8FFS10XMFS10-NI-PFA
  
- 7730 - 9SS12FFS12XMFS12-Z-V
- 7731 - 9SS12FFS12XMFS12-Z-AL
- 7732 - 9SS12FFS12XMFS12-Z-PFA
- 7733 - 9SS12FFS12XMFS12-NI-V
- 7734 - 9SS12FFS12XMFS12-NI-AL
- 7735 - 9SS12FFS12XMFS12-NI-PFA
  
- 7740 - 9SS16FFS16XMFS16-Z-V
- 7741 - 9SS16FFS16XMFS16-Z-AL
- 7742 - 9SS16FFS16XMFS16-Z-PFA
- 7743 - 9SS16FFS16XMFS16-NI-V
- 7744 - 9SS16FFS16XMFS16-NI-AL
- 7745 - 9SS16FFS16XMFS16-NI-PFA

**ITEM # - DESCRIPTION**

**90° Male Face Seal Bulkhead (M.F.S.B.)** **PAGE 40**  
**X Male Face Seal (M.F.S.)**

- 7753 - 9SS20FFS20XMFS20-NI-V
- 7754 - 9SS20FFS20XMFS20-NI-AL
- 7755 - 9SS20FFS20XMFS20-NI-PFA
  
- 7763 - 9SS24FFS24XMFS24-NI-V
- 7764 - 9SS24FFS24XMFS24-NI-AL
- 7765 - 9SS24FFS24XMFS24-NI-PFA
  
- 7800 - 9SS4MFSB6XMFS6-Z-V
- 7801 - 9SS4MFSB6XMFS6-Z-AL
- 7802 - 9SS4MFSB6XMFS6-Z-PFA
- 7803 - 9SS4MFSB6XMFS6-NI-V
- 7804 - 9SS4MFSB6XMFS6-NI-AL
- 7805 - 9SS4MFSB6XMFS6-NI-PFA
  
- 7810 - 9SS8MFSB8XMFS8-Z-V
- 7811 - 9SS8MFSB8XMFS8-Z-AL
- 7812 - 9SS8MFSB8XMFS8-Z-PFA
- 7813 - 9SS8MFSB8XMFS8-NI-V
- 7814 - 9SS8MFSB8XMFS8-NI-AL
- 7815 - 9SS8MFSB8XMFS8-NI-PFA
  
- 7820 - 9SS8MFSB10XMFS10-Z-V
- 7821 - 9SS8MFSB10XMFS10-Z-AL
- 7822 - 9SS8MFSB10XMFS10-Z-PFA
- 7823 - 9SS8MFSB10XMFS10-NI-V
- 7824 - 9SS8MFSB10XMFS10-NI-AL
- 7825 - 9SS8MFSB10XMFS10-NI-PFA
  
- 7830 - 9SS12MFSB12XMFS12-Z-V
- 7831 - 9SS12MFSB12XMFS12-Z-AL
- 7832 - 9SS12MFSB12XMFS12-Z-PFA
- 7833 - 9SS12MFSB12XMFS12-NI-V
- 7834 - 9SS12MFSB12XMFS12-NI-AL
- 7835 - 9SS12MFSB12XMFS12-NI-PFA
  
- 7840 - 9SS16MFSB16XMFS16-Z-V
- 7841 - 9SS16MFSB16XMFS16-Z-AL
- 7842 - 9SS16MFSB16XMFS16-Z-PFA
- 7843 - 9SS16MFSB16XMFS16-NI-V
- 7844 - 9SS16MFSB16XMFS16-NI-AL
- 7845 - 9SS16MFSB16XMFS16-NI-PFA
  
- 7850 - 9SS20MFSB20XMFS20-Z-V
- 7851 - 9SS20MFSB20XMFS20-Z-AL
- 7852 - 9SS20MFSB20XMFS20-Z-PFA
- 7853 - 9SS20MFSB20XMFS20-NI-V
- 7854 - 9SS20MFSB20XMFS20-NI-AL
- 7855 - 9SS20MFSB20XMFS20-NI-PFA
  
- 90° FEMALE PIPE (N.P.T.F.) X** **PAGE 41**  
**FEMALE (J.I.C.) SWIVEL NUT**
- 8100 - 9SS4FP25XFJS4-Z-V
- 8101 - 9SS4FP25XFJS4-Z-AL
- 8102 - 9SS4FP25XFJS4-Z-PFA
- 8103 - 9SS4FP25XFJS4-NI-V
- 8104 - 9SS4FP25XFJS4-NI-AL
- 8105 - 9SS4FP25XFJS4-NI-PFA
  
- 8110 - 9SS4FP25XFJS6-Z-V
- 8111 - 9SS4FP25XFJS6-Z-AL
- 8112 - 9SS4FP25XFJS6-Z-PFA
- 8113 - 9SS4FP25XFJS6-NI-V
- 8114 - 9SS4FP25XFJS6-NI-AL
- 8115 - 9SS4FP25XFJS6-NI-PFA
  
- 8120 - 9SS8FP38XFJS6-Z-V
- 8121 - 9SS8FP38XFJS6-Z-AL
- 8122 - 9SS8FP38XFJS6-Z-PFA
- 8123 - 9SS8FP38XFJS6-NI-V
- 8124 - 9SS8FP38XFJS6-NI-AL
- 8125 - 9SS8FP38XFJS6-NI-AL
  
- 8130 - 9SS8FP50XFJS8-Z-V
- 8131 - 9SS8FP50XFJS8-Z-AL
- 8132 - 9SS8FP50XFJS8-Z-PFA
- 8133 - 9SS8FP50XFJS8-NI-V
- 8134 - 9SS8FP50XFJS8-NI-AL
- 8135 - 9SS8FP50XFJS8-NI-PFA
  
- 8140 - 9SS8FP50XFJS10-Z-V
- 8141 - 9SS8FP50XFJS10-Z-AL

**ITEM # - DESCRIPTION**

**90° MALE PIPE (N.P.T.F.) X** **PAGE 41**  
**FEMALE (J.I.C.) SWIVEL NUT**

- 8150 - 9SS12FP75XFJS12-Z-V
- 8151 - 9SS12FP75XFJS12-Z-AL
- 8152 - 9SS12FP75XFJS12-Z-PFA
- 8153 - 9SS12FP75XFJS12-NI-V
- 8154 - 9SS12FP75XFJS12-NI-AL
- 8155 - 9SS12FP75XFJS12-NI-PFA
  
- 8160 - 9SS16FP100XFJS16-Z-V
- 8161 - 9SS16FP100XFJS16-Z-AL
- 8162 - 9SS16FP100XFJS16-Z-PFA
- 8163 - 9SS16FP100XFJS16-NI-V
- 8164 - 9SS16FP100XFJS16-NI-AL
- 8165 - 9SS16FP100XFJS16-NI-PFA
  
- 8170 - 9SS20FP125XFJS20-Z-V
- 8171 - 9SS20FP125XFJS20-Z-AL
- 8172 - 9SS20FP125XFJS20-Z-PFA
- 8173 - 9SS20FP125XFJS20-NI-V
- 8174 - 9SS20FP125XFJS20-NI-AL
- 8175 - 9SS20FP125XFJS20-NI-PFA
  
- 8183 - 9SS24FP150XFJS24-NI-V
- 8184 - 9SS24FP150XFJS24-NI-AL
- 8185 - 9SS24FP150XFJS24-NI-PFA
  
- 8700 - 9SS4MP25XFJS4-Z-V
- 8701 - 9SS4MP25XFJS4-Z-AL
- 8702 - 9SS4MP25XFJS4-Z-PFA
- 8703 - 9SS4MP25XFJS4-NI-V
- 8704 - 9SS4MP25XFJS4-NI-AL
- 8705 - 9SS4MP25XFJS4-NI-PFA
  
- 8710 - 9SS4MP25XFJS6-Z-V
- 8711 - 9SS4MP25XFJS6-Z-AL
- 8712 - 9SS4MP25XFJS6-Z-PFA
- 8713 - 9SS4MP25XFJS6-NI-V
- 8714 - 9SS4MP25XFJS6-NI-AL
- 8715 - 9SS4MP25XFJS6-NI-PFA
  
- 8720 - 9SS4MP38XFJS6-Z-V
- 8721 - 9SS4MP38XFJS6-Z-AL
- 8722 - 9SS4MP38XFJS6-Z-PFA
- 8723 - 9SS4MP38XFJS6-NI-V
- 8724 - 9SS4MP38XFJS6-NI-AL
- 8725 - 9SS4MP38XFJS6-NI-PFA
  
- 8730 - 9SS8MP50XFJS8-Z-V
- 8731 - 9SS8MP50XFJS8-Z-AL
- 8732 - 9SS8MP50XFJS8-Z-PFA
- 8733 - 9SS8MP50XFJS8-NI-V
- 8734 - 9SS8MP50XFJS8-NI-AL
- 8735 - 9SS8MP50XFJS8-NI-PFA
  
- 8740 - 9SS8MP50XFJS10-Z-V
- 8741 - 9SS8MP50XFJS10-Z-AL
- 8742 - 9SS8MP50XFJS10-Z-PFA
- 8743 - 9SS8MP50XFJS10-NI-V
- 8744 - 9SS8MP50XFJS10-NI-AL
- 8745 - 9SS8MP50XFJS10-NI-PFA
  
- 8750 - 9SS12MP75XFJS12-Z-V
- 8751 - 9SS12MP75XFJS12-Z-AL
- 8752 - 9SS12MP75XFJS12-Z-PFA
- 8753 - 9SS12MP75XFJS12-NI-V
- 8754 - 9SS12MP75XFJS12-NI-AL
- 8755 - 9SS12MP75XFJS12-NI-PFA
  
- 8760 - 9SS16MP100XFJS16-Z-V
- 8761 - 9SS16MP100XFJS16-Z-AL
- 8762 - 9SS16MP100XFJS16-Z-PFA
- 8763 - 9SS16MP100XFJS16-NI-V
- 8764 - 9SS16MP100XFJS16-NI-AL
- 8765 - 9SS16MP100XFJS16-NI-PFA
  
- 8770 - 9SS20MP125XFJS20-Z-V
- 8771 - 9SS20MP125XFJS20-Z-AL
- 8772 - 9SS20MP125XFJS20-Z-PFA
- 8773 - 9SS20MP125XFJS20-NI-V
- 8774 - 9SS20MP125XFJS20-NI-AL
- 8775 - 9SS20MP125XFJS20-NI-PFA
  
- 8783 - 9SS24MP150XFJS24-NI-V
- 8784 - 9SS24MP150XFJS24-NI-AL

**ITEM # - DESCRIPTION**

**90° MALE (O.R.B.) X** **PAGE 42**  
**FEMALE (J.I.C.) SWIVEL NUT**

- 8800 - 9SS4M04XFJS4-Z-V
- 8801 - 9SS4M04XFJS4-Z-AL
- 8802 - 9SS4M04XFJS4-Z-PFA
- 8803 - 9SS4M04XFJS4-NI-V
- 8804 - 9SS4M04XFJS4-NI-AL
- 8805 - 9SS4M04XFJS4-NI-PFA
  
- 8810 - 9SS4M06XFJS6-Z-V
- 8811 - 9SS4M06XFJS6-Z-AL
- 8812 - 9SS4M06XFJS6-Z-PFA
- 8813 - 9SS4M06XFJS6-NI-V
- 8814 - 9SS4M06XFJS6-NI-AL
- 8815 - 9SS4M06XFJS6-NI-PFA
  
- 8820 - 9SS8M08XFJS8-Z-V
- 8821 - 9SS8M08XFJS8-Z-AL
- 8822 - 9SS8M08XFJS8-Z-PFA
- 8823 - 9SS8M08XFJS8-NI-V
- 8824 - 9SS8M08XFJS8-NI-AL
- 8825 - 9SS8M08XFJS8-NI-PFA
  
- 8830 - 9SS8M10XFJS8-Z-V
- 8831 - 9SS8M10XFJS8-Z-AL
- 8832 - 9SS8M10XFJS8-Z-PFA
- 8833 - 9SS8M10XFJS8-NI-V
- 8834 - 9SS8M10XFJS8-NI-AL
- 8835 - 9SS8M10XFJS8-NI-PFA
  
- 8840 - 9SS8M08XFJS10-Z-V
- 8841 - 9SS8M08XFJS10-Z-AL
- 8842 - 9SS8M08XFJS10-Z-PFA
- 8843 - 9SS8M08XFJS10-NI-V
- 8844 - 9SS8M08XFJS10-NI-AL
- 8845 - 9SS8M08XFJS10-NI-PFA
  
- 8850 - 9SS8M10XFJS10-Z-V
- 8851 - 9SS8M10XFJS10-Z-AL
- 8852 - 9SS8M10XFJS10-Z-PFA
- 8853 - 9SS8M10XFJS10-NI-V
- 8854 - 9SS8M10XFJS10-NI-AL
- 8855 - 9SS8M10XFJS10-NI-PFA
  
- 8860 - 9SS12M012XFJS12-Z-V
- 8861 - 9SS12M012XFJS12-Z-AL
- 8862 - 9SS12M012XFJS12-Z-PFA
- 8863 - 9SS12M012XFJS12-NI-V
- 8864 - 9SS12M012XFJS12-NI-AL
- 8865 - 9SS12M012XFJS12-NI-PFA
  
- 8870 - 9SS16M016XFJS16-Z-V
- 8871 - 9SS16M016XFJS16-Z-AL
- 8872 - 9SS16M016XFJS16-Z-PFA
- 8873 - 9SS16M016XFJS16-NI-V
- 8874 - 9SS16M016XFJS16-NI-AL
- 8875 - 9SS16M016XFJS16-NI-PFA
  
- 8880 - 9SS20M020XFJS20-Z-V
- 8881 - 9SS20M020XFJS20-Z-AL
- 8882 - 9SS20M020XFJS20-Z-PFA
- 8883 - 9SS20M020XFJS20-NI-V
- 8884 - 9SS20M020XFJS20-NI-AL
- 8885 - 9SS20M020XFJS20-NI-PFA
  
- 8893 - 9SS24M024XFJS24-NI-V
- 8894 - 9SS24M024XFJS24-NI-AL
- 8895 - 9SS24M024XFJS24-NI-PFA
  
- 90° MALE (J.I.C.) X** **PAGE 42**  
**FEMALE (J.I.C.) SWIVEL NUT**
- 8900 - 9SS4MJ4XFJS4-Z-V
- 8901 - 9SS4MJ4XFJS4-Z-AL
- 8902 - 9SS4MJ4XFJS4-Z-PFA
- 8903 - 9SS4MJ4XFJS4-NI-V
- 8904 - 9SS4MJ4XFJS4-NI-AL
- 8905 - 9SS4MJ4XFJS4-NI-PFA
  
- 8910 - 9SS4MJ6XFJS6-Z-V
- 8911 - 9SS4MJ6XFJS6-Z-AL
- 8912 - 9SS4MJ6XFJS6-Z-PFA
- 8913 - 9SS4MJ6XFJS6-NI-V
- 8914 - 9SS4MJ6XFJS6-NI-AL
- 8915 - 9SS4MJ6XFJS6-NI-PFA

**ITEM # - DESCRIPTION**

8920 - 9SS8MJ8XFJ8-Z-V  
 8921 - 9SS8MJ8XFJ8-Z-AL  
 8922 - 9SS8MJ8XFJ8-Z-PFA  
 8923 - 9SS8MJ8XFJ8-NI-V  
 8924 - 9SS8MJ8XFJ8-NI-AL  
 8925 - 9SS8MJ8XFJ8-NI-PFA

8930 - 9SS8MJ10XFJ8-Z-V  
 8931 - 9SS8MJ10XFJ8-Z-AL  
 8932 - 9SS8MJ10XFJ8-Z-PFA  
 8933 - 9SS8MJ10XFJ8-NI-V  
 8934 - 9SS8MJ10XFJ8-NI-AL  
 8935 - 9SS8MJ10XFJ8-NI-PFA

8940 - 9SS8MJ8XFJ8-Z-V  
 8941 - 9SS8MJ8XFJ8-Z-AL  
 8942 - 9SS8MJ8XFJ8-Z-PFA  
 8943 - 9SS8MJ8XFJ8-NI-V  
 8944 - 9SS8MJ8XFJ8-NI-AL  
 8945 - 9SS8MJ8XFJ8-NI-PFA

8950 - 9SS8MJ10XFJ8-Z-V  
 8951 - 9SS8MJ10XFJ8-Z-AL  
 8952 - 9SS8MJ10XFJ8-Z-PFA  
 8953 - 9SS8MJ10XFJ8-NI-V  
 8954 - 9SS8MJ10XFJ8-NI-AL  
 8955 - 9SS8MJ10XFJ8-NI-PFA

8960 - 9SS12MJ12XFJ8-Z-V  
 8961 - 9SS12MJ12XFJ8-Z-AL  
 8962 - 9SS12MJ12XFJ8-Z-PFA  
 8963 - 9SS12MJ12XFJ8-NI-V  
 8964 - 9SS12MJ12XFJ8-NI-AL  
 8965 - 9SS12MJ12XFJ8-NI-PFA

8970 - 9SS16MJ16XFJ8-Z-V  
 8971 - 9SS16MJ16XFJ8-Z-AL  
 8972 - 9SS16MJ16XFJ8-Z-PFA  
 8973 - 9SS16MJ16XFJ8-NI-V  
 8974 - 9SS16MJ16XFJ8-NI-AL  
 8975 - 9SS16MJ16XFJ8-NI-PFA

8980 - 9SS20MJ20XFJ8-Z-V  
 8981 - 9SS20MJ20XFJ8-Z-AL  
 8982 - 9SS20MJ20XFJ8-Z-PFA  
 8983 - 9SS20MJ20XFJ8-NI-V  
 8984 - 9SS20MJ20XFJ8-NI-AL  
 8985 - 9SS20MJ20XFJ8-NI-PFA

8993 - 9SS24MJ24XFJ8-Z-V  
 8994 - 9SS24MJ24XFJ8-Z-AL  
 8995 - 9SS24MJ24XFJ8-Z-PFA

**90° (H.P.) Female Pipe (N.P.T.F.)** **PAGE 43**  
**X Female Pipe (N.P.T.F.)**

23270 - 9SS8HPP38XFP38-NI-90V  
 5923 - 9SS8HPP50XFP50-NI-V  
 5924 - 9SS8HPP50XFP50-NI-AL

**90° (H.P.) Male Pipe (N.P.T.F.)** **PAGE 43**  
**X Female Pipe (N.P.T.F.)**

23263 - 9SS8HPP38XFP38-NI-90V  
 6023 - 9SS8HPP50XFP50-NI-V  
 6024 - 9SS8HPP50XFP50-NI-AL

**90° Dual Plane**  
**Female Pipe (N.P.T.F.)** **PAGE 45**  
**X Female Pipe (N.P.T.F.)**

DP5000 - 9DP4FP25XFP25-Z-V  
 DP5001 - 9DP4FP25XFP25-Z-AL  
 DP5002 - 9DP4FP25XFP25-Z-PFA  
 DP5003 - 9DP4FP25XFP25-NI-V  
 DP5004 - 9DP4FP25XFP25-NI-AL  
 DP5005 - 9DP4FP25XFP25-NI-PFA

DP5010 - 9DP8FP38XFP38-Z-V  
 DP5011 - 9DP8FP38XFP38-Z-AL  
 DP5012 - 9DP8FP38XFP38-Z-PFA  
 DP5013 - 9DP8FP38XFP38-NI-V  
 DP5014 - 9DP8FP38XFP38-NI-AL  
 DP5015 - 9DP8FP38XFP38-NI-PFA

**ITEM # - DESCRIPTION**

DP5020 - 9DP8FP50XFP50-Z-V  
 DP5021 - 9DP8FP50XFP50-Z-AL  
 DP5022 - 9DP8FP50XFP50-Z-PFA  
 DP5023 - 9DP8FP50XFP50-NI-V  
 DP5024 - 9DP8FP50XFP50-NI-AL  
 DP5025 - 9DP8FP50XFP50-NI-PFA

DP5030 - 9DP12FP75XFP75-Z-V  
 DP5031 - 9DP12FP75XFP75-Z-AL  
 DP5032 - 9DP12FP75XFP75-Z-PFA  
 DP5033 - 9DP12FP75XFP75-NI-V  
 DP5034 - 9DP12FP75XFP75-NI-AL  
 DP5035 - 9DP12FP75XFP75-NI-PFA

DP5040 - 9DP16FP100XFP100-Z-V  
 DP5041 - 9DP16FP100XFP100-Z-AL  
 DP5042 - 9DP16FP100XFP100-Z-PFA  
 DP5043 - 9DP16FP100XFP100-NI-V  
 DP5044 - 9DP16FP100XFP100-NI-AL  
 DP5045 - 9DP16FP100XFP100-NI-PFA

DP5050 - 9DP20FP125XFP125-Z-V  
 DP5051 - 9DP20FP125XFP125-Z-AL  
 DP5052 - 9DP20FP125XFP125-Z-PFA  
 DP5053 - 9DP20FP125XFP125-NI-V  
 DP5054 - 9DP20FP125XFP125-NI-AL  
 DP5055 - 9DP20FP125XFP125-NI-PFA

DP5063 - 9DP24FP150XFP150-NI-V  
 DP5064 - 9DP24FP150XFP150-NI-AL  
 DP5065 - 9DP24FP150XFP150-NI-PFA

**90° Dual Plane**  
**Male Pipe (N.P.T.F.)** **PAGE 45**  
**X Female Pipe (N.P.T.F.)**

DP5100 - 9DP4MP25XFP25-Z-V  
 DP5101 - 9DP4MP25XFP25-Z-AL  
 DP5102 - 9DP4MP25XFP25-Z-PFA  
 DP5103 - 9DP4MP25XFP25-NI-V  
 DP5104 - 9DP4MP25XFP25-NI-AL  
 DP5105 - 9DP4MP25XFP25-NI-PFA

DP5110 - 9DP8MP38XFP38-Z-V  
 DP5111 - 9DP8MP38XFP38-Z-AL  
 DP5112 - 9DP8MP38XFP38-Z-PFA  
 DP5113 - 9DP8MP38XFP38-NI-V  
 DP5114 - 9DP8MP38XFP38-NI-AL  
 DP5115 - 9DP8MP38XFP38-NI-PFA

DP5120 - 9DP8MP50XFP50-Z-V  
 DP5121 - 9DP8MP50XFP50-Z-AL  
 DP5122 - 9DP8MP50XFP50-Z-PFA  
 DP5123 - 9DP8MP50XFP50-NI-V  
 DP5124 - 9DP8MP50XFP50-NI-AL  
 DP5125 - 9DP8MP50XFP50-NI-PFA

DP5130 - 9DP12MP75XFP75-Z-V  
 DP5131 - 9DP12MP75XFP75-Z-AL  
 DP5132 - 9DP12MP75XFP75-Z-PFA  
 DP5133 - 9DP12MP75XFP75-NI-V  
 DP5134 - 9DP12MP75XFP75-NI-AL  
 DP5135 - 9DP12MP75XFP75-NI-PFA

DP5140 - 9DP16MP100XFP100-Z-V  
 DP5141 - 9DP16MP100XFP100-Z-AL  
 DP5142 - 9DP16MP100XFP100-Z-PFA  
 DP5143 - 9DP16MP100XFP100-NI-V  
 DP5144 - 9DP16MP100XFP100-NI-AL  
 DP5145 - 9DP16MP100XFP100-NI-PFA

DP5150 - 9DP20MP125XFP125-Z-V  
 DP5151 - 9DP20MP125XFP125-Z-AL  
 DP5152 - 9DP20MP125XFP125-Z-PFA  
 DP5153 - 9DP20MP125XFP125-NI-V  
 DP5154 - 9DP20MP125XFP125-NI-AL  
 DP5155 - 9DP20MP125XFP125-NI-PFA

DP5163 - 9DP24MP150XFP150-NI-V  
 DP5164 - 9DP24MP150XFP150-NI-AL  
 DP5165 - 9DP24MP150XFP150-NI-PFA

**(V) = Viton**  
**(AL) = Aflas**

**ITEM # - DESCRIPTION**

**90° Dual Plane**  
**Male (O.R.B.) X Male (J.I.C.)** **PAGE 46**

DP6900 - 9DP4MO6XMJ6-Z-V  
 DP6901 - 9DP4MO6XMJ6-Z-AL  
 DP6902 - 9DP4MO6XMJ6-Z-PFA  
 DP6903 - 9DP4MO6XMJ6-NI-V  
 DP6904 - 9DP4MO6XMJ6-NI-AL  
 DP6905 - 9DP4MO6XMJ6-NI-PFA

DP6910 - 9DP8MO8XMJ8-Z-V  
 DP6911 - 9DP8MO8XMJ8-Z-AL  
 DP6912 - 9DP8MO8XMJ8-Z-PFA  
 DP6913 - 9DP8MO8XMJ8-NI-V  
 DP6914 - 9DP8MO8XMJ8-NI-AL  
 DP6915 - 9DP8MO8XMJ8-NI-PFA

DP6920 - 9DP8MO10XMJ10-Z-V  
 DP6921 - 9DP8MO10XMJ10-Z-AL  
 DP6922 - 9DP8MO10XMJ10-Z-PFA  
 DP6923 - 9DP8MO10XMJ10-NI-V  
 DP6924 - 9DP8MO10XMJ10-NI-AL  
 DP6925 - 9DP8MO10XMJ10-NI-PFA

DP6930 - 9DP12MO12XMJ12-Z-V  
 DP6931 - 9DP12MO12XMJ12-Z-AL  
 DP6932 - 9DP12MO12XMJ12-Z-PFA  
 DP6933 - 9DP12MO12XMJ12-NI-V  
 DP6934 - 9DP12MO12XMJ12-NI-AL  
 DP6935 - 9DP12MO12XMJ12-NI-PFA

DP6940 - 9DP16MO16XMJ16-Z-V  
 DP6941 - 9DP16MO16XMJ16-Z-AL  
 DP6942 - 9DP16MO16XMJ16-Z-PFA  
 DP6943 - 9DP16MO16XMJ16-NI-V  
 DP6944 - 9DP16MO16XMJ16-NI-AL  
 DP6945 - 9DP16MO16XMJ16-NI-PFA

DP6950 - 9DP20MO20XMJ20-Z-V  
 DP6951 - 9DP20MO20XMJ20-Z-AL  
 DP6952 - 9DP20MO20XMJ20-Z-PFA  
 DP6953 - 9DP20MO20XMJ20-NI-V  
 DP6954 - 9DP20MO20XMJ20-NI-AL  
 DP6955 - 9DP20MO20XMJ20-NI-PFA

DP6963 - 9DP24MO24XMJ24-NI-V  
 DP6964 - 9DP24MO24XMJ24-NI-AL  
 DP6965 - 9DP24MO24XMJ24-NI-PFA

DP6970 - 9DP4MO4XMJ4-Z-V  
 DP6971 - 9DP4MO4XMJ4-Z-AL  
 DP6972 - 9DP4MO4XMJ4-Z-PFA  
 DP6973 - 9DP4MO4XMJ4-NI-V  
 DP6974 - 9DP4MO4XMJ4-NI-AL  
 DP6975 - 9DP4MO4XMJ4-NI-PFA

**90° Dual Plane**  
**Male (O.R.B.)** **PAGE 46**  
**X Male Face Seal (M.F.S.)**

DP8600 - 9DP4MO6XMF6-Z-V  
 DP8601 - 9DP4MO6XMF6-Z-AL  
 DP8602 - 9DP4MO6XMF6-Z-PFA  
 DP8603 - 9DP4MO6XMF6-NI-V  
 DP8604 - 9DP4MO6XMF6-NI-AL  
 DP8605 - 9DP4MO6XMF6-NI-PFA

DP8620 - 9DP8MO8XMF8-Z-V  
 DP8621 - 9DP8MO8XMF8-Z-AL  
 DP8622 - 9DP8MO8XMF8-Z-PFA  
 DP8623 - 9DP8MO8XMF8-NI-V  
 DP8624 - 9DP8MO8XMF8-NI-AL  
 DP8625 - 9DP8MO8XMF8-NI-PFA

DP8650 - 9DP8MO10XMF10-Z-V  
 DP8651 - 9DP8MO10XMF10-Z-AL  
 DP8652 - 9DP8MO10XMF10-Z-PFA  
 DP8653 - 9DP8MO10XMF10-NI-V  
 DP8654 - 9DP8MO10XMF10-NI-AL  
 DP8655 - 9DP8MO10XMF10-NI-PFA

DP8660 - 9DP12MO12XMF12-Z-V  
 DP8661 - 9DP12MO12XMF12-Z-AL  
 DP8662 - 9DP12MO12XMF12-Z-PFA  
 DP8663 - 9DP12MO12XMF12-NI-V  
 DP8664 - 9DP12MO12XMF12-NI-AL

**ITEM # - DESCRIPTION**

DP8670 - 9DP16MO16XMF16-Z-V  
 DP8671 - 9DP16MO16XMF16-Z-AL  
 DP8672 - 9DP16MO16XMF16-Z-PFA  
 DP8673 - 9DP16MO16XMF16-NI-V  
 DP8674 - 9DP16MO16XMF16-NI-AL  
 DP8675 - 9DP16MO16XMF16-NI-PFA

DP8680 - 9DP20MO20XMF20-Z-V  
 DP8681 - 9DP20MO20XMF20-Z-AL  
 DP8682 - 9DP20MO20XMF20-Z-PFA  
 DP8683 - 9DP20MO20XMF20-NI-V  
 DP8684 - 9DP20MO20XMF20-NI-AL  
 DP8685 - 9DP20MO20XMF20-NI-PFA

DP8693 - 9DP24MO24XMF24-NI-V  
 DP8694 - 9DP24MO24XMF24-NI-AL  
 DP8695 - 9DP24MO24XMF24-NI-PFA

**90° Dual Plane**  
**Male Pipe (N.P.T.F.)** **PAGE 47**  
**X Male (J.I.C.)**

DP6800 - 9DP4MP25XMJ6-Z-V  
 DP6801 - 9DP4MP25XMJ6-Z-AL  
 DP6802 - 9DP4MP25XMJ6-Z-PFA  
 DP6803 - 9DP4MP25XMJ6-NI-V  
 DP6804 - 9DP4MP25XMJ6-NI-AL  
 DP6805 - 9DP4MP25XMJ6-NI-PFA

DP6810 - 9DP8MP38XMJ8-Z-V  
 DP6811 - 9DP8MP38XMJ8-Z-AL  
 DP6812 - 9DP8MP38XMJ8-Z-PFA  
 DP6813 - 9DP8MP38XMJ8-NI-V  
 DP6814 - 9DP8MP38XMJ8-NI-AL  
 DP6815 - 9DP8MP38XMJ8-NI-PFA

DP6820 - 9DP8MP50XMJ8-Z-V  
 DP6821 - 9DP8MP50XMJ8-Z-AL  
 DP6822 - 9DP8MP50XMJ8-Z-PFA  
 DP6823 - 9DP8MP50XMJ8-NI-V  
 DP6824 - 9DP8MP50XMJ8-NI-AL  
 DP6825 - 9DP8MP50XMJ8-NI-PFA

DP6830 - 9DP8MP50XMJ10-Z-V  
 DP6831 - 9DP8MP50XMJ10-Z-AL  
 DP6832 - 9DP8MP50XMJ10-Z-PFA  
 DP6833 - 9DP8MP50XMJ10-NI-V  
 DP6834 - 9DP8MP50XMJ10-NI-AL  
 DP6835 - 9DP8MP50XMJ10-NI-PFA

DP6840 - 9DP12MP75XMJ12-Z-V  
 DP6841 - 9DP12MP75XMJ12-Z-AL  
 DP6842 - 9DP12MP75XMJ12-Z-PFA  
 DP6843 - 9DP12MP75XMJ12-NI-V  
 DP6844 - 9DP12MP75XMJ12-NI-AL  
 DP6845 - 9DP12MP75XMJ12-NI-PFA

DP6850 - 9DP16MP100XMJ16-Z-V  
 DP6851 - 9DP16MP100XMJ16-Z-AL  
 DP6852 - 9DP16MP100XMJ16-Z-PFA  
 DP6853 - 9DP16MP100XMJ16-NI-V  
 DP6854 - 9DP16MP100XMJ16-NI-AL  
 DP6855 - 9DP16MP100XMJ16-NI-PFA

DP6860 - 9DP20MP125XMJ20-Z-V  
 DP6861 - 9DP20MP125XMJ20-Z-AL  
 DP6862 - 9DP20MP125XMJ20-Z-PFA  
 DP6863 - 9DP20MP125XMJ20-NI-V  
 DP6864 - 9DP20MP125XMJ20-NI-AL  
 DP6865 - 9DP20MP125XMJ20-NI-PFA

DP6873 - 9DP24MP150XMJ24-NI-V  
 DP6874 - 9DP24MP150XMJ24-NI-AL  
 DP6875 - 9DP24MP150XMJ24-NI-PFA

DP6880 - 9DP4MP38XMJ6-Z-V  
 DP6881 - 9DP4MP38XMJ6-Z-AL  
 DP6882 - 9DP4MP38XMJ6-Z-PFA  
 DP6883 - 9DP4MP38XMJ6-NI-V  
 DP6884 - 9DP4MP38XMJ6-NI-AL  
 DP6885 - 9DP4MP38XMJ6-NI-PFA

DP6890 - 9DP4MP25XMJ4-Z-V  
 DP6891 - 9DP4MP25XMJ4-Z-AL  
 DP6892 - 9DP4MP25XMJ4-Z-PFA  
 DP6893 - 9DP4MP25XMJ4-NI-V

**ITEM # - DESCRIPTION**

90° Dual Plane Male (J.I.C.) X Male (J.I.C.) **PAGE 47**

DP7000 - 9DP4M16XJM6-Z-V  
 DP7001 - 9DP4M16XJM6-Z-AL  
 DP7002 - 9DP4M16XJM6-Z-PFA  
 DP7003 - 9DP4M16XJM6-NI-V  
 DP7004 - 9DP4M16XJM6-NI-AL  
 DP7005 - 9DP4M16XJM6-NI-PFA

DP7010 - 9DP8M18XJM8-Z-V  
 DP7011 - 9DP8M18XJM8-Z-AL  
 DP7012 - 9DP8M18XJM8-Z-PFA  
 DP7013 - 9DP8M18XJM8-NI-V  
 DP7014 - 9DP8M18XJM8-NI-AL  
 DP7015 - 9DP8M18XJM8-NI-PFA

DP7020 - 9DP8M10XJM10-Z-V  
 DP7021 - 9DP8M10XJM10-Z-AL  
 DP7022 - 9DP8M10XJM10-Z-PFA  
 DP7023 - 9DP8M10XJM10-NI-V  
 DP7024 - 9DP8M10XJM10-NI-AL  
 DP7025 - 9DP8M10XJM10-NI-PFA

DP7030 - 9DP12M12XJM12-Z-V  
 DP7031 - 9DP12M12XJM12-Z-AL  
 DP7032 - 9DP12M12XJM12-Z-PFA  
 DP7033 - 9DP12M12XJM12-NI-V  
 DP7034 - 9DP12M12XJM12-NI-AL  
 DP7035 - 9DP12M12XJM12-NI-PFA

DP7040 - 9DP16M16XJM16-Z-V  
 DP7041 - 9DP16M16XJM16-Z-AL  
 DP7042 - 9DP16M16XJM16-Z-PFA  
 DP7043 - 9DP16M16XJM16-NI-V  
 DP7044 - 9DP16M16XJM16-NI-AL  
 DP7045 - 9DP16M16XJM16-NI-PFA

DP7050 - 9DP20M20XJM20-Z-V  
 DP7051 - 9DP20M20XJM20-Z-AL  
 DP7052 - 9DP20M20XJM20-Z-PFA  
 DP7053 - 9DP20M20XJM20-NI-V  
 DP7054 - 9DP20M20XJM20-NI-AL  
 DP7055 - 9DP20M20XJM20-NI-PFA

DP7063 - 9DP24M24XJM24-NI-V  
 DP7064 - 9DP24M24XJM24-NI-AL  
 DP7065 - 9DP24M24XJM24-NI-PFA

DP7070 - 9DP4M14XM14-Z-V  
 DP7071 - 9DP4M14XM14-Z-AL  
 DP7072 - 9DP4M14XM14-Z-PFA  
 DP7073 - 9DP4M14XM14-NI-V  
 DP7074 - 9DP4M14XM14-NI-AL  
 DP7075 - 9DP4M14XM14-NI-PFA

90° Dual Plane Male Face Seal (M.F.S.) X Male Face Seal (M.F.S.) **PAGE 48**

DP7600 - 9DP4MFS6XMF6-Z-V  
 DP7601 - 9DP4MFS6XMF6-Z-AL  
 DP7602 - 9DP4MFS6XMF6-Z-PFA  
 DP7603 - 9DP4MFS6XMF6-NI-V  
 DP7604 - 9DP4MFS6XMF6-NI-AL  
 DP7605 - 9DP4MFS6XMF6-NI-PFA

DP7610 - 9DP8MFS8XMF8-Z-V  
 DP7611 - 9DP8MFS8XMF8-Z-AL  
 DP7612 - 9DP8MFS8XMF8-Z-PFA  
 DP7613 - 9DP8MFS8XMF8-NI-V  
 DP7614 - 9DP8MFS8XMF8-NI-AL  
 DP7615 - 9DP8MFS8XMF8-NI-PFA

DP7620 - 9DP8MFS10XMF10-Z-V  
 DP7621 - 9DP8MFS10XMF10-Z-AL  
 DP7622 - 9DP8MFS10XMF10-Z-PFA  
 DP7623 - 9DP8MFS10XMF10-NI-V  
 DP7624 - 9DP8MFS10XMF10-NI-AL  
 DP7625 - 9DP8MFS10XMF10-NI-PFA

DP7630 - 9DP12MFS12XMF12-Z-V  
 DP7631 - 9DP12MFS12XMF12-Z-AL  
 DP7632 - 9DP12MFS12XMF12-Z-PFA

DP7633 - 9DP12MFS12XMF12-NI-V

**ITEM # - DESCRIPTION**

DP7640 - 9DP16MFS16XMF16-Z-V  
 DP7641 - 9DP16MFS16XMF16-Z-AL  
 DP7642 - 9DP16MFS16XMF16-Z-PFA  
 DP7643 - 9DP16MFS16XMF16-NI-V  
 DP7644 - 9DP16MFS16XMF16-NI-AL  
 DP7645 - 9DP16MFS16XMF16-NI-PFA

DP7650 - 9DP20MFS20XMF20-Z-V  
 DP7651 - 9DP20MFS20XMF20-Z-AL  
 DP7652 - 9DP20MFS20XMF20-Z-PFA  
 DP7653 - 9DP20MFS20XMF20-NI-V  
 DP7654 - 9DP20MFS20XMF20-NI-AL  
 DP7655 - 9DP20MFS20XMF20-NI-PFA  
 DP7663 - 9DP24MFS24XMF24-NI-V  
 DP7664 - 9DP24MFS24XMF24-NI-AL  
 DP7665 - 9DP24MFS24XMF24-NI-PFA

Inline Female BSPP X Female BSPP **PAGE 50**

60000 - SS4FBSPP4XFBSP4-Z-V  
 60001 - SS4FBSPP4XFBSP4-Z-AL  
 60200 - SS6FBSPP6XFBSP6-Z-V  
 60201 - SS6FBSPP6XFBSP6-Z-AL  
 60300 - SS8DBFBSPP8XFBSP8-Z-V  
 60301 - SS8DBFBSPP8XFBSP8-Z-AL  
 60500 - SS12DBFBSPP12XBSPP12-Z-V  
 60501 - SS12DBFBSPP12XBSPP12-Z-AL  
 60600 - SS16DBFBSPP16XFBSP16-Z-V  
 60601 - SS16DBFBSPP16XFBSP16-Z-AL

60700 - SS20FBSPP20XFBSP20-Z-V  
 60701 - SS20FBSPP20XFBSP20-Z-AL  
 60803 - SS24FBSPP24XFBSP24-NI-V  
 60804 - SS24FBSPP24XFBSP24-NI-AL

Inline Male BSPP X Female BSPP **PAGE 50**

50000 - SS4MBSPP4XFBSP4-Z-V  
 50001 - SS4MBSPP4XFBSP4-Z-AL  
 50200 - SS6MBSPP6XFBSP6-Z-V  
 50201 - SS6MBSPP6XFBSP6-Z-AL  
 50300 - SS8DBMBSPP8XFBSP8-Z-V  
 50301 - SS8DBMBSPP8XFBSP8-Z-AL  
 50500 - SS12DBMBSPP12XFBSP12-Z-V  
 50501 - SS12DBMBSPP12XFBSP12-Z-AL  
 50600 - SS16DBMBSPP16XFBSP16-Z-V  
 50601 - SS16DBMBSPP16XFBSP16-Z-AL  
 50700 - SS20MBSPP20XFBSP20-Z-V  
 50701 - SS20MBSPP20XFBSP20-Z-AL  
 50803 - SS24MBSPP24XFBSP24-NI-V  
 50804 - SS24MBSPP24XFBSP24-NI-AL

90° Female BSPP X Female BSPP **PAGE 51**

30000 - 9SS4FBSPP4XFBSP4-Z-V  
 30001 - 9SS4FBSPP4XFBSP4-Z-AL  
 30200 - 9SS6FBSPP6XFBSP6-Z-V  
 30201 - 9SS6FBSPP6XFBSP6-Z-AL  
 30300 - 9SS8DBFBSPP8XFBSP8-Z-V  
 30301 - 9SS8DBFBSPP8XFBSP8-Z-AL  
 30500 - 9SS12DBFBSPP12XBSPP12-Z-V  
 30501 - 9SS12DBFBSPP12XBSPP12-Z-AL  
 30600 - 9SS16DBFBSPP16XFBSP16-Z-V  
 30601 - 9SS16DBFBSPP16XFBSP16-Z-AL  
 30700 - 9SS20FBSPP20XFBSP20-Z-V  
 30701 - 9SS20FBSPP20XFBSP20-Z-AL  
 30803 - 9SS24FBSPP24XFBSP24-NI-V  
 30804 - 9SS24FBSPP24XFBSP24-NI-AL

90° Male BSPP X Female BSPP **PAGE 51**

40000 - 9SS4MBSPP4XFBSP4-Z-V  
 40001 - 9SS4MBSPP4XFBSP4-Z-AL  
 40200 - 9SS6MBSPP6XFBSP6-Z-V  
 40201 - 9SS6MBSPP6XFBSP6-Z-AL  
 40300 - 9SS8DBMBSPP8XFBSP8-Z-V  
 40301 - 9SS8DBMBSPP8XFBSP8-Z-AL  
 40500 - 9SS12DBMBSPP12XBSPP12-Z-V  
 40501 - 9SS12DBMBSPP12XBSPP12-Z-AL  
 40600 - 9SS16DBMBSPP16XFBSP16-Z-V  
 40601 - 9SS16DBMBSPP16XFBSP16-Z-AL  
 40700 - 9SS20MBSPP20XFBSP20-Z-V

**ITEM # - DESCRIPTION**

Inline Male Pipe BSPP X Male Pipe BSPP **PAGE 52**

51000 - SS4MBSPP4XMBSP4-Z-V  
 51001 - SS4MBSPP4XMBSP4-Z-AL  
 51002 - SS4MBSPP4XMBSP4-Z-PFA  
 51003 - SS4MBSPP4XMBSP4-NI-V  
 51004 - SS4MBSPP4XMBSP4-NI-AL  
 51005 - SS4MBSPP4XMBSP4-NI-PFA

51200 - SS6MBSPP6XMBSP6-Z-V  
 51201 - SS6MBSPP6XMBSP6-Z-AL  
 51203 - SS6MBSPP6XMBSP6-NI-V  
 51204 - SS6MBSPP6XMBSP6-NI-AL  
 51205 - SS6MBSPP6XMBSP6-NI-PFA

51300 - SS8DBMBSPP8XMBSP8-Z-V  
 51301 - SS8DBMBSPP8XMBSP8-Z-AL  
 51302 - SS8DBMBSPP8XMBSP8-Z-PFA  
 51303 - SS8DBMBSPP8XMBSP8-NI-V  
 51304 - SS8DBMBSPP8XMBSP8-NI-AL  
 51305 - SS8DBMBSPP8XMBSP8-NI-PFA

51500 - SS12DBMBSPP12XMBSP12-Z-V  
 51501 - SS12DBMBSPP12XMBSP12-Z-AL  
 51502 - SS12DBMBSPP12XMBSP12-Z-PFA  
 51503 - SS12DBMBSPP12XMBSP12-NI-V  
 51504 - SS12DBMBSPP12XMBSP12-NI-AL  
 51505 - SS12DBMBSPP12XMBSP12-NI-PFA

51600 - SS16DBMBSPP16XMBSP16-Z-V  
 51601 - SS16DBMBSPP16XMBSP16-Z-AL  
 51602 - SS16DBMBSPP16XMBSP16-Z-PFA  
 51603 - SS16DBMBSPP16XMBSP16-NI-V  
 51604 - SS16DBMBSPP16XMBSP16-NI-AL  
 51605 - SS16DBMBSPP16XMBSP16-NI-PFA

51700 - SS20MBSPP20XMBSP20-Z-V  
 51701 - SS20MBSPP20XMBSP20-Z-AL  
 51702 - SS20MBSPP20XMBSP20-Z-PFA  
 51703 - SS20MBSPP20XMBSP20-NI-V  
 51704 - SS20MBSPP20XMBSP20-NI-AL  
 51705 - SS20MBSPP20XMBSP20-NI-PFA

51803 - SS24MBSPP24XMBSP24-NI-V  
 51804 - SS24MBSPP24XMBSP24-NI-AL  
 51805 - SS24MBSPP24XMBSP24-NI-PFA

Seal Rebuilding Kits **PAGE 75**

3690 - SS-2-KIT-VITON

3600 - SS-4-KIT-VITON  
 3601 - SS-4-KIT-AFLAS  
 3602 - SS-4-KIT-PFA

3680 - SS-7-KIT-VITON  
 3681 - SS-7-KIT-AFLAS  
 3682 - SS-7-KIT-PFA

3610 - SS-8-KIT-VITON  
 3611 - SS-8-KIT-AFLAS  
 3612 - SS-8-KIT-PFA

3615 - SS-8-HP-KIT-VITON  
 3616 - SS-8-HP-KIT-AFLAS

3620 - SS-12-KIT-VITON  
 3621 - SS-12-KIT-AFLAS  
 3622 - SS-12-KIT-PFA

3630 - SS-16-KIT-VITON  
 3631 - SS-16-KIT-AFLAS  
 3632 - SS-16-KIT-PFA

3640 - SS-20-KIT-VITON  
 3641 - SS-20-KIT-AFLAS  
 3642 - SS-20-KIT-PFA

3650 - SS-24-KIT-VITON  
 3651 - SS-24-KIT-AFLAS  
 3652 - SS-24-KIT-PFA

3660 - SS-32-KIT-VITON  
 3661 - SS-32-KIT-AFLAS  
 3662 - SS-32-KIT-PFA

**ITEM # - DESCRIPTION**



SUPER-DUTY-SWIVELS **INLINE**

Inline Male J.I.C. (37°) X Female J.I.C. (37°) **SUPER-DUTY PAGE 54**  
 15092 - SS12DBMJ12XFJ12-Z-90V

Inline Male J.I.C. (37°) X Male J.I.C. (37°)  
 15067 - SS12DBMJ12XJM12-Z-90V

Inline Male J.I.C. (37°) X Female J.I.C. (37°) **SUPER-DUTY PAGE 55**  
 16020 - SS16DBMJ16XFJ16-Z-90V

Inline Male J.I.C. (37°) X Male J.I.C. (37°)  
 16004 - SS16DBMJ16XJM16-Z-90V

Inline Female Face Seal (F.F.S.) X Male Face Seal (M.F.S.) **SUPER-DUTY PAGE 56**  
 16062 - SS16DBFBS16XMF16-Z-90V

Inline Male Face Seal (M.F.S.) X Male Face Seal (M.F.S.)  
 16073 - SS16DBMFS16XMF16-Z-90V

Inline Female Pipe (N.P.T.F.) X Female Pipe (N.P.T.F.) **SUPER-DUTY PAGE 57**  
 16001 - SS16DBFP100XFP100-NI-90V

Inline Female Pipe (N.P.T.F.) X Male J.I.C. (37°)  
 16110 - SS16DBFP100XJM16-Z-90V

Inline Male J.I.C. (37°) X Female O-Ring (O.R.B.) **SUPER-DUTY PAGE 58**  
 16100 - SS16DBMJ16XFO16-Z-90V

Inline Male O-Ring (O.R.B.) Female O-Ring (O.R.B.)  
 16107 - SS16DBMO16XFO16-Z-90V

Inline Male O-Ring (O.R.B.) X Male Face Seal (M.F.S.) **SUPER-DUTY PAGE 59**  
 16074 - SS16DBMO16XMF16-Z-90V

Inline Male J.I.C. (37°) X Male Face Seal (M.F.S.)  
 16084 - SS16DBMJ16XMF16-Z-90V

Inline Male J.I.C. (37°) X Female Pipe (N.P.T.F.) **SUPER-DUTY PAGE 60**  
 16014 - SS16DBMJ16XFP100-Z-90V

SUPER-DUTY-SWIVELS **90°**

90° Female Pipe (N.P.T.F.) X Female Pipe (N.P.T.F.) **SUPER-DUTY PAGE 61**  
 25100 - 9SS16DBFP100XFP100-NI-90V

90° Male J.I.C. (37°) X Female Pipe (N.P.T.F.)  
 25122 - 9SS16DBMJ16XFP100-Z-90V

(V) = Viton  
 (A.F.) = AFLAS

# Competitors Cross Reference Guides

Below is part of a Competitors Cross Reference Guide which is available on our website to download and refer to when making order selections.

ITEM #	S S DESCRIPTION	AEROQUIP	HYDRAULICS INC.	PARKER ( PS )	SWIVEL TYPE
6430	9SS8MO10XPS50-Z-V	BD5004-0810	9S8PU8-O10		90° MALE O-RING X PIPE SWIVEL
6300	9SS4MP25XPS25-Z-V	BD55000-0404	9S6PU4-P4	PS490107-4-4	90° MALE PIPE X PIPE SWIVEL
6310	9SS8MP38XPS38-Z-V	BD55000-0606	9S6PU6-P6	PS690107-6-6	90° MALE PIPE X PIPE SWIVEL
6320	9SS8MP50XPS50-Z-V	BD55000-0808	9S8OU8-P8	PS890107-8-8	90° MALE PIPE X PIPE SWIVEL
6330	9SS12MP75XPS75-Z-V	BD55000-1212	9S12PU12-P12	PS1290107-12-12	90° MALE PIPE X PIPE SWIVEL
6340	9SS16MP100XPS100-Z-V	BD55000-1616	9S16PU16-P16	PS1290107-16-16	90° MALE PIPE X PIPE SWIVEL
6350	9SS20MP125XPS125-Z-V	BD55000-2020	9S20PU20-P20		90° MALE PIPE X PIPE SWIVEL
6393	9SS24MP150XPS150-Ni-V	BD55000-2424	9S24PU24-P24		90° MALE PIPE X PIPE SWIVEL
6570	9SS4MJ6XPS38-Z-V	BD55001-0606	9S6PU6-J6	PS690307-6-6	90° MALE JIC X PIPE SWIVEL
6510	9SS8MJ8XPS38-Z-V	BD55001-0608	9S6PU6-J8		90° MALE JIC X PIPE SWIVEL
6520	9SS8MJ8XPS50-Z-V	BD55001-0808		PS890307-8-8	90° MALE JIC X PIPE SWIVEL
6530	9SS8MJ10XPS50-Z-V	BD55001-0810	9S8PU8-J10		90° MALE JIC X PIPE SWIVEL
6540	9SS12MJ12XPS75-Z-V	BD55001-1212	9S12PU12-J12	PS1290307-12-12	90° MALE JIC X PIPE SWIVEL
6550	9SS16MJ16XPS100-Z-V	BD55001-1616	9S16PU16-J16	PS1690307-16-16	90° MALE JIC X PIPE SWIVEL
6560	9SS20MJ20XPS125-Z-V	BD55001-2020	9S20PU20-J20		90° MALE JIC X PIPE SWIVEL
6410	9SS8MO8XPS38-Z-V	BD55004-0608	9S6PU6-O8		90° MALE O-RING X PIPE SWIVEL
6420	9SS8MO8XPS50-Z-V	BD55004-0808		PS890507-8-8	90° MALE O-RING X PIPE SWIVEL
6440	9SS12MO12XPS75-Z-V	BD55004-1212	9S12PU12-O12	PS1290507-12-12	90° MALE O-RING X PIPE SWIVEL
6450	9SS16MO16XPS100-Z-V	BD55004-1616	9S16PU16-O16	PS1690507-16-16	90° MALE O-RING X PIPE SWIVEL
6460	9SS20MO20XPS125-Z-V	BD55004-2020	9S20PU20-O20		90° MALE O-RING X PIPE SWIVEL
6483	9SS24MO24XPS150-Ni-V	BD55004-2424	9S24PU24-O24		90° MALE O-RING X PIPE SWIVEL
6870	9SS4MP38XMJ6-Z-V	BD55005-0606	9S6J6-P6		90° MALE PIPE X MALE JIC
6810	9SS8MP38XMJ8-Z-V	BD55005-0806	9S6J8-P6		90° MALE PIPE X MALE JIC
6820	9SS8MP50XMJ8-Z-V	BD55005-0808		PS890103-8-8	90° MALE PIPE X MALE JIC
6830	9SS8MP50XMJ10-Z-V	BD55005-1008	9S8J10-P8		90° MALE PIPE X MALE JIC
6840	9SS12MP75XMJ12-Z-V	BD55005-1212	9S12J12-P12	PS1290103-12-12	90° MALE PIPE X MALE JIC
6850	9SS16MP100XMJ16-Z-V	BD55005-1616	9S16J16-P16	PS1690103-16-16	90° MALE PIPE X MALE JIC
6860	9SS20MP125XMJ20-Z-V	BD55005-2020	9S20J20-P20		90° MALE PIPE X MALE JIC
6883	9SS24MP150XMJ24-Ni-V	BD55005-2424	9S24J24-P24		90° MALE PIPE X MALE JIC
7000	9SS4MJ6XMJ6-Z-V	BD55009-0606	9S6J6-J6	PS690302-6-6	90° MALE JIC X MALE JIC
7010	9SS8MJ8XMJ8-Z-V	BD55009-0808	9S6J8-J8	PS890302-8-8	90° MALE JIC X MALE JIC
7020	9SS8MJ10XMJ10-Z-V	BD55009-1010	9S8J10-J10	PS890302-10-10	90° MALE JIC X MALE JIC
7030	9SS12MJ12XMJ12-Z-V	BD55009-1212	9S12J12-J12	PS1290302-12-12	90° MALE JIC X MALE JIC
7040	9SS16MJ16XMJ16-Z-V	BD55009-1616	9S16J16-J16	PS1690302-16-16	90° MALE JIC X MALE JIC
7050	9SS20MJ20XMJ20-Z-V	BD55009-2020	9S20J20-J20		90° MALE JIC X MALE JIC
7063	9SS24MJ24XMJ24-Ni-V	BD55009-2424	9S24J24-J24		90° MALE JIC X MALE JIC

This Partial Cross Reference Refers To End Configurations Only !  
Consult Catalogs For Pressure Ratings, Dimensions, Seals, Plating, Ect.

## Super Swivels' Advantages

### Simplified Connections:

- Super Swivels can connect directly to hose lines which would do away with adapters.
- Super Swivels reduce the complexity of hose lines for 90° connections.
- Less hose is required with Super Swivels live swivels reducing space needs.

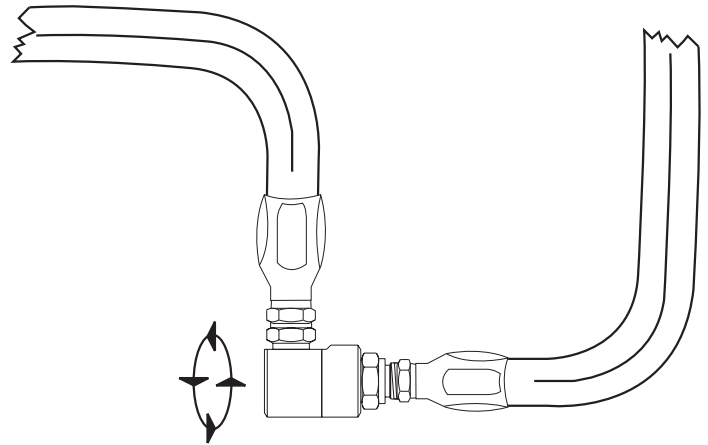


### Reduced Hose Twisting:

- Super Swivels live swivel action reduces risk of hose twisting and kinking even in 90° angel connections.

### Less System Shock:

- The increased hose movement allowed by Super Swivels superior design reduces system rigidity and helps absorb some system impulses.



### Reduce Maintenance and Downtime:

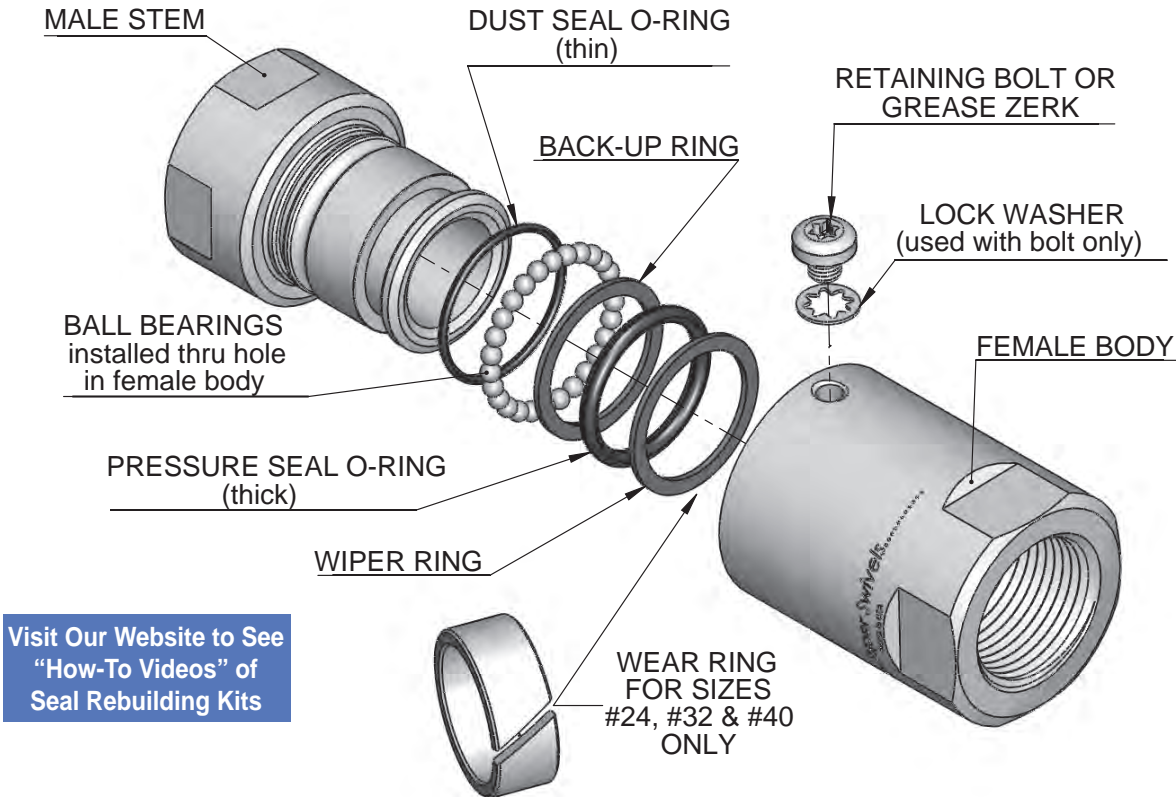
- Less hydraulic line congestion, hose kinking, shock damage and twisting means lower maintenance costs and less downtime.

### Reduced Cost:

- Simplified hose configuration, less hose and adapters when combined with reduced repairs and downtime reduce the overall cost of hydraulics.



# Hydraulic Inline and 90° Live Swivels Seal Rebuilding Kit Instructions



1. Remove retaining bolt or grease zerk (some models have a permanent grease zerk).
2. Wash swivel in solvent and rotate while immersed to remove grease from the ball bearing groove.
3. Remove ball bearings by rotating swivel with ball loading hole pointed downward. If remaining grease in ball groove prevents balls from falling free when centered over loading hole, tap swivel on work bench with loading hole facing down on bench.
4. With all ball bearings removed (check by rotating while looking into ball loading hole), pull the two halves apart and discard old rings, ball bearings and seals.
5. Clean and dry swivel thoroughly, install new seal and wear rings when required, and lubricate the female bore and male outside diameter before assembly. Load retainer ball bearings and install grease zerk (a temporary zerk is provided for models with a retaining bolt). Use lithium based grease with moly (do not over grease).

**Note:** The temporary grease zerk must be removed and replaced with the original retaining bolt and new lock washer on swivels which didn't originally have a permanent grease zerk.

Seal Rebuilding Kits Item Number/Part Number... Page 72



# We Thrive Under Pressure

## Custom Design Live Swivels

Inline • 90° • Dual Plane



### THOUSANDS OF SWIVEL OPTIONS

Our heat treating process and patented design enables higher working pressure ratings. Super Swivels are engineered for simplified connections, allowing direct connections to hose lines doing away with adapters.

Super Swivels live swivel action reduces risk of hose twisting and kinking even in 90° angle connections. This simplification reduces the complication of hose line connections so less hose is required, and reducing space needs. The increased hose movement allowed by Super Swivels' superior design reduces system rigidity and helps to absorb system impulses. Less hydraulic line congestion, reduced hose kinking, lower risk of shock damage and twisting which means lower maintenance costs and less downtime.

By engineering the best heavy-duty and compact live swivel designs Super Swivels allows manufactures to create the most efficient and smallest products possible. The design and reliability features allow for the most efficient aftermarket modifications and repairs.

**Base Material and Plating includes:** Zinc or Nickel Plated Carbon Steel, or 304 and 440C Stainless Steel.

**Seal Material includes:** (V) Viton® (Fluorocarbon), (AL) Aflas® (Tetrafluoroethylene-propylene copolymer), (PFA) PFA Teflon®. Other seals available upon request: Buna, EPR, Neoprene and Kalrez®.

## Switch Your Swivel®

**GOODYEAR**  
RUBBER PRODUCTS, INC.

☎ 727-342-5088

You can also email us at  
[GRP@goodyearrubberproducts.com](mailto:GRP@goodyearrubberproducts.com)



## WARRANTY & LIMITATION OF LIABILITY

### Inline Swivels

Page 12



Super Swivels® products are warranted for a period of twelve (12) months from date of shipment from seller's plant to be free from defects in material and workmanship under correct use, normal operating conditions, and proper application.

### 90° Swivels

Page 23



CAR WASH / CORROSIVE MEDIA APPLICATIONS. SEALS WILL BE WARRANTED FOR SIX (6) MONTHS WHEN USED WITH FRESH, CLEAN, SOFT, FLUIDS WITH A pH BETWEEN 8 -11.5. SEALS WILL BE WARRANTED FOR THREE (3) MONTHS WHEN USED WITH ANY RECLAIMED FLUIDS. MINIMUM FILTRATION REQUIREMENTS, 10 MICRONS. WARRANTY VOIDED IF SPECIFIED R.P.M. EXCEEDED.

Seller's obligation under this warranty shall be limited to the repair or exchange, at seller's option, F.O.B. seller's factory, of any Super Swivels® product or part which proves to be defective as provided herein. Seller reserves the right to either inspect the product at buyer's location or require it to be returned to the factory for inspection. The above warranty does not extend to goods damaged, or subjected to accident, abuse, or misuse after shipment from seller's factory, nor to goods altered or repaired by anyone other than authorized Super Swivels® representatives.

### Dual Plane Swivels

Page 44



SELLER MAKES NO EXPRESS WARRANTIES OTHER THAN THOSE WHICH ARE SPECIFICALLY DESCRIBED HEREIN. Any description of the goods sold hereunder, including any references to buyer's specifications and any descriptions in catalogs, circulars and other written material published by Seller is for the sole purpose of identifying such goods and shall not create an express warranty that the goods shall conform to such description. Any sample or model is for illustrative purposes only and shall not create any express warranty that the goods shall conform to the sample or model. BUYER IS SOLELY RESPONSIBLE FOR DETERMINING THE SUITABILITY OF GOODS SOLD HEREUNDER FOR USE BY BUYER.

### BSPP Swivels

Page 49



THE SUITABILITY OF GOODS SOLD HEREUNDER FOR USE BY BUYER. THIS WARRANTY IS EXPRESSLY IN LIEU OF ALL OTHER WARRANTIES EXPRESSED OR IMPLIED. THERE ARE NO IMPLIED WARRANTIES OF MERCHANTABILITY OR FITNESS FOR A PARTICULAR PURPOSE. THIS WARRANTY STATES SELLERS ENTIRE AND EXCLUSIVE LIABILITY AND BUYERS EXCLUSIVE REMEDY FOR ANY CLAIM FOR DAMAGES IN CONNECTION WITH THE SALE OF FURNISHINGS OF SUPER SWIVELS® PRODUCTS, THEIR DESIGN, SUITABILITY FOR USE, INSTALLATION OR OPERATION, OR FOR ANY CLAIMED DEFECTS HEREIN. SELLER WILL IN NO EVENT BE LIABLE FOR ANY INCIDENTAL OR CONSEQUENTIAL DAMAGES WHATSOEVER, NOR FOR ANY SUM IN EXCESS OF THE PRICE RECEIVED FOR THE GOODS FOR WHICH LIABILITY IS CLAIMED.

### Super-Duty-Swivels™

Page 53



SUPER SWIVELS® ARE NOT DESIGNED FOR AND SHOULD NOT BE USED AS A STRUCTURAL OR LOAD BEARING COMPONENT. ALL DIMENSIONAL INFORMATION SUBJECT