



# INDUSTRIAL HOSE COUPLINGS CATALOG



# Anodizing

## Anodizing

Anodizing is a process that adds a non-conductive layer to increase the durability, corrosion resistance and abrasion resistance of an aluminum fitting or sleeve. This protective layer increases the thickness of the alloy by .0004". Various colors are available to choose from. Another option is Hard Coat Aluminum which is an extended anodizing process. This protective layer increases the thickness of the alloy by .001".

**EVER-TITE®** Aluminum Cam and Groove Couplings can be ordered as compliant with military specifications by specifying anodized parts identified by military color number per MIL-A-8625.

**EVER-TITE®** Brass Cam and Groove Couplings are available as compliant with military specifications.

**EVER-TITE® Aluminum and Brass** Cam and Groove Couplings are compliant with Mil-C-27487 and A-A-59326.

MIL-C-27487 Military Standard Number - Summary Index												
Coupling Type	Item Code	Class	3/4	1	1-1/4	1-1/2	2	2-1/2	3	4	6	
A	MS 27020	Aluminum	1	-3	-5	-7	-9	-11	-13	-15	-17	-19
		Brass	2	-4	-6	-8	-10	-12	-14	-16	-18	-20
B	MS 27026	Aluminum	1	-3	-5	-7	-9	-11	-13	-15	-17	-19
		Brass	2	-4	-6	-8	-10	-12	-14	-16	-18	-20
C	MS 27025	Aluminum	1	-3	-5	-7	-9	-11	-13	-15	-17	-19
		Brass	2	-4	-6	-8	-10	-12	-14	-16	-18	-20
D	MS 27024	Aluminum	1	-3	-5	-7	-9	-11	-13	-15	-17	-19
		Brass	2	-4	-6	-8	-10	-12	-14	-16	-18	-20
E	MS 27021	Aluminum	1	-3	-5	-7	-9	-11	-13	-15	-17	-19
		Brass	2	-4	-6	-8	-10	-12	-14	-16	-18	-20
F	MS 27022	Aluminum	1	-3	-5	-7	-9	-11	-13	-15	-17	-19
		Brass	2	-4	-6	-8	-10	-12	-14	-16	-18	-20
D.C.	MS 27028	Aluminum	1	-3	-5	-7	-9	-11	-13	-15	-17	-19
		Brass	2	-4	-6	-8	-10	-12	-14	-16	-18	-20
D.P.	MS 27029	Aluminum	1	-3	-5	-7	-9	-11	-13	-15	-17	-19
		Brass	2	-4	-6	-8	-10	-12	-14	-16	-18	-20
Gasket	MS 27030		-2	-3	-4	-5	-6	-7	-8	-9	-10	

Note: Specify military color number per MIL-A-8625

## Military Specification Compliance

Many different configurations of adapters and couplers are available. Female wyes with adapters/couplers and double female couplers with shut-off valve #77 are illustrated as representative of the configurations that are available. Please inquire regarding any specific requirement.



# Cam and Groove Couplings

## Part A Male Adapter x Female Thread

-NPT Standard



### EVER-TITE® available options:

BSP, BST and NPSM thread  
Monel, Hastelloy C and Carpenter 20® alloy  
Anodizing (See page 2)

### EVER-TITE® Premium Cam and Groove Couplings

Size	Aluminum	Forged Brass	316 Stainless Steel	Polypropylene (black)
1/2"	305AAL	305ABR	305ASS	305APP
3/4"	307AAL	307ABR	307ASS	307APP
1"	310AAL	310ABR	310ASS	310APP
1-1/4"	312AAL	312ABR	312ASS	312APP
1-1/2"	315AAL	315ABR	315ASS	315APP
2"	320AAL	320ABR	320ASS	320APP
2-1/2"	325AAL	325ABR	325ASS	—
3"	330AAL	330ABR	330ASS	330APP
4"	340AAL	340ABR	340ASS	340APP
5"	350AAL	*350ARB	350ASS	—
6"	360AAL	*360ARB	360ASS	—
8"	380AAL	—	—	—

\*5" & 6" are Red Brass

### EVER-TITE® and Tough-TITE® Note:

1/2" Aluminum, Brass and Stainless parts are not interchangeable

### Tough-TITE® Industrial Cam and Groove Couplings



Size	Aluminum	Brass	316 Stainless Steel	Ductile Iron	Nylon (yellow)	Polypropylene (black)
1/2"	3E05AAL	3E05ACB	3E05ASS	—	*3E05ANY	*3E05APP
3/4"	3E07AAL	3E07ACB	3E07ASS	—	3E07ANY	3E07APP
1"	3E10AAL	3E10ACB	3E10ASS	—	3E10ANY	3E10APP
1-1/4"	3E12AAL	3E12ACB	3E12ASS	—	**3E12ANY	**3E12APP
1-1/2"	3E15AAL	3E15ACB	3E15ASS	3E15ADI	3E15ANY	3E15APP
2"	3E20AAL	3E20ACB	3E20ASS	3E20ADI	3E20ANY	3E20APP
2-1/2"	3E25AAL	3E25ACB	3E25ASS	—	—	—
3"	3E30AAL	3E30ACB	3E30ASS	3E30ADI	3E30ANY	3E30APP
4"	3E40AAL	3E40ACB	3E40ASS	3E40ADI	3E40ANY	3E40APP
5"	3E50AAL	3E50ACB	—	—	—	—
6"	3E60AAL	3E60ACB	3E60ASS	—	—	—
8"	3E80AALA	—	3E80ASS	—	—	—

\* 1/2" Nylon and Polypropylene adapter portion is to the 3/4" standard.

\*\* 1-1/4" Nylon and Polypropylene adapter portion is to the 1-1/2" standard.

### U-TITE® Utility Cam and Groove Couplings



Size	Aluminum	Forged Brass	316 Stainless Steel
1/2"	3U05AAL	3U05AFB	3U05ASS
3/4"	3U07AAL	3U07AFB	3U07ASS
1"	3U10AAL	3U10AFB	3U10ASS
1-1/4"	3U12AAL	3U15AFB	3U12ASS
1-1/2"	3U15AAL	3U15AFB	3U15ASS
2"	3U20AAL	3U20AFB	3U20ASS
2-1/2"	3U25AAL	3U25AFB	3U25ASS
3"	3U30AAL	3U30AFB	3U30ASS
4"	3U40AAL	3U40AFB	3U40ASS
5"	3U50AAL	3U50AFB	3U50ASS
6"	3U60AAL	3U60AFB	3U60ASS

## Part B Female Coupler x Male Thread

### EVER-TITE® Premium Cam and Groove Couplings

Size	Aluminum	Forged Brass	316 Stainless Steel	Polypropylene (black)
1/2"	305BAL	305BBR	305BSS	305BPP
3/4"	307BAL	307BBR	307BSS	307BPP
1"	310BAL	310BBR	310BSS	310BPP
1-1/4"	312BAL	312BBR	312BSS	312BPP
1-1/2"	315BAL	315BBR	315BSS	315BPP
2"	320BAL	320BBR	320BSS	320BPP
2-1/2"	325BAL	325BBR	325BSS	—
3"	330BAL	330BBR	330BSS	330BPP
4"	340BAL	340BBR	340BSS	340BPP
5"	350BAL	*350BRB	350BSS	—
6"	360BAL	*360BRB	360BSS	—
8"	380BAL	—	—	—

\*5" and 6" are Red Brass.

Investment Cast 316 Stainless Steel handles standard on EVER-TITE® Aluminum and Polypropylene couplers.

Brass handles standard on 8" Aluminum.

8" part has 4-handle design

#### EVER-TITE® and Tough-TITE® Note:

1/2" Aluminum, Brass and Stainless parts are not interchangeable

### Tough-TITE® Industrial Cam and Groove Couplings

Size	Aluminum	Brass	316 Stainless Steel	Ductile Iron	Nylon (yellow)	Polypropylene (black)
1/2"	3E05BAL	3E05BCB	3E05BSS	—	*3E05BNY	*3E05BPP
3/4"	3E07BAL	3E07BCB	3E07BSS	—	3E07BNY	3E07BPP
1"	3E10BAL	3E10BCB	3E10BSS	—	3E10BNY	3E10BPP
1-1/4"	3E12BAL	3E12BCB	3E12BSS	—	**3E12BNY	**3E12BPP
1-1/2"	3E15BAL	3E15BCB	3E15BSS	3E15BDI	3E15BNY	3E15BPP
2"	3E20BAL	3E20BCB	3E20BSS	3E20BDI	3E20BNY	3E20BPP
2-1/2"	3E25BAL	3E25BCB	3E25BSS	—	—	—
3"	3E30BAL	3E30BCB	3E30BSS	3E30BDI	3E30BNY	3E30BPP
4"	3E40BAL	3E40BCB	3E40BSS	3E40BDI	3E40BNY	3E40BPP
5"	3E50BAL	3E50BCB	—	—	—	—
6"	3E60BAL	3E60BCB	3E60BSS	—	—	—

\* 1/2" Nylon and Polypropylene coupler portion is to the 3/4" standard

\*\* 1-1/4" Nylon and Polypropylene coupler portion is to the 1-1/2" standard.

Stainless Steel handles are standard on Tough-TITE® Polypropylene & Nylon couplers

Brass handles standard on Tough-Tite® Aluminum coupler

### U-TITE® Utility Cam and Groove Couplings

Size	Aluminum	Forged Brass	316 Stainless Steel
1/2"	3U05BAL	3U05BFB	3U05BSS
3/4"	3U07BAL	3U07BFB	3U07BSS
1"	3U10BAL	3U10BFB	3U10BSS
1-1/4"	3U12BAL	3U12BFB	3U12BSS
1-1/2"	3U15BAL	3U15BFB	3U15BSS
2"	3U20BAL	3U20BFB	3U20BSS
2-1/2"	3U25BAL	3U25BFB	3U25BSS
3"	3U30BAL	3U30BFB	3U30BSS
4"	3U40BAL	3U40BFB	3U40BSS
5"	3U50BAL	3U50BFB	3U50BSS
6"	3U60BAL	3U60BFB	3U60BSS

Stainless Steel handles standard on U-TITE® Aluminum couplers

-NPT Standard



#### EVER-TITE® available options:

Brass Handles, BSP and BST Thread, Monel, Hastelloy C and Carpenter 20® alloy Anodizing (See page 2)



## Part C Female Coupler x Hose Shank



**EVER-TITE® available options:**  
 Brass handles  
 Monel, Hastelloy C and Carpenter 20® alloy  
 Anodizing (See page 2)

### EVER-TITE® Premium Cam and Groove Couplings

Size	Aluminum	Forged Brass	316 Stainless Steel	Polypropylene (black)
1/2"	305CAL	305CBR	305CSS	305CPP
3/4"	307CAL	307CBR	307CSS	307CPP
1"	Δ310CAL	310CBR	310CSS	310CPP
1-1/4"	312CAL	312CRB	312CSS	312CPP
1-1/2"	Δ315CAL	315CBR	315CSS	315CPP
2"	Δ320CAL	320CBR	320CSS	320CPP
2-1/2"	Δ325CAL	325CRB	325CSS	—
3"	Δ330CAL	330CBR	330CSS	330CPP
4"	Δ340CAL	340CBR	340CSS	340CPP
5"	Δ350CAL	*350CRB	350CSS	—
6"	††Δ360CAL	*360CRB	360CSS	—
8"	380CAL	—	—	—

\* 5" & 6" are Red Brass  
 Δ 1", 1-1/2", 2", 2-1/2", 3", 4", 5" and 6" Aluminum parts have machined shanks.  
 †† 6" Aluminum available in 4-handle design (360CAL4)  
 Investment Cast 316 Stainless Steel handles standard on EVER-TITE® Aluminum and Polypropylene couplers.

**EVER-TITE® and Tough-TITE® Note:**  
 1/2" Aluminum, Brass and Stainless parts are not interchangeable  
 8" Aluminum part has 4-handle design

### Tough-TITE® Industrial Cam and Groove Couplings



Size	Aluminum	Brass	316 Stainless Steel	Ductile Iron	Nylon (yellow)	Polypropylene (black)
1/2"	3E05CAL	3E05CCB	3E05CSS	—	*3E05CNY	*3E05CPP
3/4"	3E07CAL	3E07CCB	3E07CSS	—	3E07CNY	3E07CPP
1"	3E10CAL	3E10CCB	3E10CSS	—	3E10CNY	3E10CPP
1-1/4"	3E12CAL	3E12CCB	3E12CSS	—	**3E12CNY	**3E12CPP
1-1/2"	3E15CAL	3E15CCB	3E15CSS	3E15CDI	3E15CNY	3E15CPP
2"	3E20CAL	3E20CCB	3E20CSS	3E20CDI	3E20CNY	3E20CPP
2-1/2"	3E25CAL	3E25CCB	3E25CSS	—	—	—
3"	3E30CAL	3E30CCB	3E30CSS	3E30CDI	3E30CNY	3E30CPP
4"	3E40CAL	3E40CCB	3E40CSS	3E40CDI	3E40CNY	3E40CPP
5"	3E50CAL	3E50CCB	—	—	—	—
6"	3E60CAL	3E60CCB	3E60CSS	—	—	—
8"	3E80CALA	—	3E80CSS	—	—	—

\* 1/2" Nylon and Polypropylene coupler portion is to the 3/4" standard.  
 \*\* 1-1/4" Nylon and Polypropylene coupler portion is to the 1-1/2" standard.  
 Stainless Steel handles standard on Tough-TITE® Polypropylene and Nylon couplers.  
 Brass handles standard on Tough-TITE® Aluminum couplers

### U-TITE® Utility Cam and Groove Couplings



Size	Aluminum	Forged Brass	316 Stainless Steel
1/2"	3U05CAL	3U05CFB	3U05CSS
3/4"	3U07CAL	3U07CFB	3U07CSS
1"	3U10CAL	3U10CFB	3U10CSS
1-1/4"	3U12CAL	3U12CFB	3U12CSS
1-1/2"	3U15CAL	3U15CFB	3U15CSS
2"	3U20CAL	3U20CFB	3U20CSS
2-1/2"	3U25CAL	3U25CFB	3U25CSS
3"	3U30CAL	3U30CFB	3U30CSS
4"	3U40CAL	3U40CFB	3U40CSS
5"	3U50CAL	3U50CFB	3U50CSS
6"	3U60CAL	3U60CFB	3U60CSS

## Part D Female Coupler x Female Thread

### EVER-TITE®

Premium Cam and Groove Couplings

Size	Aluminum	Forged Brass	316 Stainless Steel	Polypropylene (black)
1/2"	305DAL	305DBR	305DSS	305BPP
3/4"	307DAL	307DBR	307DSS	307DPP
1"	310DAL	310DBR	310DSS	310DPP
1-1/4"	312DAL	312DBR	312DSS	312DPP
1-1/2"	315DAL	315DBR	315DSS	315DPP
2"	320DAL	320DBR	320DSS	315DPP
2-1/2"	325DAL	325DBR	325DSS	—
3"	330DAL	330DBR	**330DSS	330DPP
4"	340DAL	340DBR	**340DSS	340DPP
5"	350DAL	*350DRB	350DSS	—
6"	360DAL	*360DRB	**360DSS	—
8"	380DAL	—	—	—

\*5" and 6" are Red Brass

\*\*3", 4" and 6" Stainless Steel available in 4-handle design

Investment Cast 316 Stainless Steel handles standard on EVER-TITE® Aluminum and Polypropylene couplers

Brass handles standard on 8" parts

**EVER-TITE® and Tough-TITE® Note:**

1/2" Aluminum, Brass and Stainless parts are not interchangeable

8" Aluminum part has 4-handle design

-NPT Standard



**EVER-TITE® available options:**

Brass Handles, BSP and BST Thread, Monel, Hastelloy C and Carpenter 20® alloy Anodizing (See page 2)

### Tough-TITE®

Industrial Cam and Groove Couplings

Size	Aluminum	Brass	316 Stainless Steel	Ductile Iron	Nylon (yellow)	Polypropylene (black)
1/2"	3E05DAL	3E05DCB	3E05DSS	—	*3E05DNY	*3E05DPP
3/4"	3E07DAL	3E07DCB	3E07DSS	—	3E07DNY	3E07DPP
1"	3E10DAL	3E10DCB	3E10DSS	—	3E10DNY	3E10DPP
1-1/4"	3E12DAL	3E12DCB	3E12DSS	—	**3E12DNY	**3E12DPP
1-1/2"	3E15DAL	3E15DCB	3E15DSS	3E15DXDI	3E15DNY	3E15DPP
2"	3E20DAL	3E20DCB	3E20DSS	3E20DXDI	3E20DNY	3E20DPP
2-1/2"	3E25DAL	3E25DCB	3E25DSS	—	—	—
3"	3E30DAL	3E30DCB	3E30DSS	3E30DDI	3E30DNY	3E30DPP
4"	3E40DAL	3E40DCB	3E40DSS	3E40DDI	3E40DNY	3E40DPP
5"	3E50DAL	3E50DCB	—	—	—	—
6"	3E60DAL	3E60DCB	3E60DSS	—	—	—
8"	3E80DALA	—	3E80DSS	—	—	—

\* 1/2" Nylon and Polypropylene coupler portion is to the 3/4" standard.

\*\* 1-1/4" Nylon and Polypropylene coupler portion is to the 1-1/2" standard.

Stainless Steel handles standard on Tough-TITE® Polypropylene and Nylon couplers.

Brass handles standard on Tough-TITE® Aluminum couplers



### U-TITE®

Utility Cam and Groove Couplings

Size	Aluminum	Forged Brass	316 Stainless Steel
1/2"	3U05DAL	3U05DFB	3U05DSS
3/4"	3U07DAL	3U07DFB	3U07DSS
1"	3U10DAL	3U10DFB	3U10DSS
1-1/4"	3U12DAL	3U12DFB	3U12DSS
1-1/2"	3U15DAL	3U15DFB	3U15DSS
2"	3U20DAL	3U20DFB	3U20DSS
2-1/2"	3U25DAL	3U25DFB	3U25DSS
3"	3U30DAL	3U30DFB	3U30DSS
4"	3U40DAL	3U40DFB	3U40DSS
5"	3U50DAL	3U50DFB	3U50DSS
6"	3U60DAL	3U60DFB	3U60DSS



**Call Today!**  
1-800-888-5223

## Part E Male Adapter x Hose Shank



EVER-TITE® Premium Cam and Groove Couplings				
Size	Aluminum	Forged Brass	316 Stainless Steel	Polypropylene (black)
1/2"	305EAL	305EBR	305ESS	305EPP
3/4"	307EAL	307EBR	307ESS	307EPP
1"	**310EAL	310EBR	310ESS	310EPP
1-1/4"	312EAL	312ERB	312ESS	312EPP
1-1/2"	**315EAL	315EBR	315ESS	315EPP
2"	**320EAL	320EBR	320ESS	320EPP
2-1/2"	**325EAL	325EBR	325ESS	—
3"	**330EAL	330EBR	330ESS	330EPP
4"	**340EAL	340EBR	340ESS	340EPP
5"	**350EAL	*350ERB	350ESS	—
6"	**360EAL	*360ERB	360ESS	—
8"	380EAL	—	—	—

### EVER-TITE® available options:

Monel, Hastelloy C and Carpenter 20® alloy  
Adonizing ( see page 2)

\*5" and 6" are Red Brass.

\*\*1", 1-1/2", 2", 2-1/2", 3", 4", 5" and 6" Aluminum parts have machined shanks.

### EVER-TITE® and Tough-TITE® Note:

1/2" Aluminum, Brass and Stainless parts are not interchangeable



Tough-TITE® Industrial Cam and Groove Couplings						
Size	Aluminum	Brass	316 Stainless Steel	Ductile Iron	Nylon (yellow)	Polypropylene (black)
1/2"	**3E05EAL	**3E05ECB	**3E05ESS	—	*3E05ENY	*3E05EPP
3/4"	3E07EAL	3E07ECB	3E07ESS	—	3E07ENY	3E07EPP
1"	3E10EAL	3E10ECB	3E10ESS	—	3E10ENY	3E10EPP
1-1/4"	3E12EAL	3E12ECB	3E12ESS	—	**3E12ENY	**3E12EPP
1-1/2"	3E15EAL	3E15ECB	3E15ESS	3E15EDI	3E15ENY	3E15EPP
2"	3E20EAL	3E20ECB	3E20ESS	3E20EXDI	3E20ENY	3E20EPP
2-1/2"	3E25EAL	3E25ECB	3E25ESS	—	—	—
3"	3E30EAL	3E30ECB	3E30ESS	3E30EXDI	3E30ENY	3E30EPP
4"	3E40EAL	3E40ECB	3E40ESS	3E40EXDI	3E40ENY	3E40EPP
5"	3E50EAL	3E50ECB	—	—	—	—
6"	3E60EAL	3E60ECB	3E60ESS	—	—	—
8"	3E80EALA	—	3E80ESS	—	—	—

\* 1/2" Nylon and Polypropylene adapter portion is to the 3/4" standard.

\*\* 1-1/4" Nylon and Polypropylene adapter portion is to the 1-1/2" standard.



U-TITE® Utility Cam and Groove Couplings			
Size	Aluminum	Forged Brass	316 Stainless Steel
1/2"	3U05EAL	3U05EFB	3U05ESS
3/4"	3U07EAL	3U07EFB	3U07ESS
1"	3U10EAL	3U10EFB	3U10ESS
1-1/4"	3U12EAL	3U12EFB	3U12ESS
1-1/2"	3U15EAL	3U15EFB	3U15ESS
2"	3U20EAL	3U20EFB	3U20ESS
2-1/2"	3U25EAL	3U25EFB	3U25ESS
3"	3U30EAL	3U30EFB	3U30ESS
4"	3U40EAL	3U40EFB	3U40ESS
5"	3U50EAL	3U50EFB	3U50ESS
6"	3U60EAL	3U60EFB	3U60ESS

### 24/7 Call Out Service



CALL US



EMAIL



FAX



WALK-IN

**"AMERICA'S MOST RESPONSIVE WAREHOUSE"**

## Part F Male Adapter x Male Thread

### EVER-TITE®

Premium Cam and Groove Couplings

Size	Aluminum	Forged Brass	316 Stainless Steel	Polypropylene (black)
1/2"	305FAL	305FBR	305FSS	305FPP
3/4"	307FAL	307FBR	307FSS	307FPP
1"	310FAL	310FBR	310FSS	310FPP
1-1/4"	312FAL	312FBR	312FSS	312FPP
1-1/2"	315FAL	315FBR	315FSS	315FPP
2"	320FAL	320FBR	320FSS	320FPP
2-1/2"	325FAL	325FBR	325FSS	—
3"	330FAL	330FBR	330FSS	330FPP
4"	340FAL	340FBR	340FSS	340FPP
5"	350FAL	*350FRB	350FSS	—
6"	360FAL	*360FRB	360FSS	—
8"	380FAL	—	—	—

\* 5" and 6" are Red Brass

**EVER-TITE® and Tough-TITE® Note:**

1/2" Aluminum, Brass and Stainless parts are not interchangeable

-NPT Standard



**EVER-TITE® available options:**

BSP, BST, & NPSM thread  
Monel, Hastelloy C and Carpenter 20® alloy  
Anodizing (see page 2)

### Tough-TITE®

Industrial Cam and Groove Couplings

Size	Aluminum	Brass	316 Stainless Steel	Ductile Iron	Nylon (yellow)	Polypropylene (black)
1/2"	3E05FAL	3E05FCB	3E05FSS	—	*3E05FNY	*3E05FPP
3/4"	3E07FAL	3E07FCB	3E07FSS	—	3E07FNY	3E07FPP
1"	3E10FAL	3E10FCB	3E10FSS	—	3E10FNY	3E10FPP
1-1/4"	3E12FAL	3E12FCB	3E12FSS	—	**3E12FNY	**3E12FPP
1-1/2"	3E15FAL	3E15FCB	3E15FSS	3E15FDI	3E15FNY	3E15FPP
2"	3E20FAL	3E20FCB	3E20FSS	3E20FDI	3E20FNY	3E20FPP
2-1/2"	3E25FAL	3E25FCB	3E25FSS	—	—	—
3"	3E30FAL	3E30FCB	3E30FSS	3E30FDI	3E30FNY	3E30FPP
4"	3E40FAL	3E40FCB	3E40FSS	3E40FDI	3E40FNY	3E40FPP
5"	3E50FAL	3E50FCB	—	—	—	—
6"	3E60FAL	3E60FCB	3E60FSS	—	—	—
8"	3E80FALA	—	—	—	—	—

\* 1/2" Nylon and Polypropylene adapter portion is to the 3/4" standard.

\*\* 1-1/4" Nylon and Polypropylene adapter portion is to the 1-1/2" standard.



### U-TITE®

Utility Cam and Groove Couplings

Size	Aluminum	Forged Brass	316 Stainless Steel
1/2"	3U05FAL	3U05FFB	3U05FSS
3/4"	3U07FAL	3U07FFB	3U07FSS
1"	3U10FAL	3U10FFB	3U10FSS
1-1/4"	3U12FAL	3U12FFB	3U12FSS
1-1/2"	3U15FAL	3U15FFB	3U15FSS
2"	3U20FAL	3U20FFB	3U20FSS
2-1/2"	3U25FAL	3U25FFB	3U25FSS
3"	3U30FAL	3U30FFB	3U30FSS
4"	3U40FAL	3U40FFB	3U40FSS
5"	3U50FAL	3U50FFB	3U50FSS
6"	3U60FAL	3U60FFB	3U60FSS



## Part DC Dust Cap



**EVER-TITE® available options:**  
 Brass handles  
 Monel, Hastelloy C and Carpenter 20® alloy  
 Anodizing (see page 2)

### EVER-TITE® Premium Cam and Groove Couplings

Size	Aluminum	Forged Brass	316 Stainless Steel	Polypropylene (black)
1/2"	305DCAL	305DCBR	305DCSS	—
3/4"	307DCAL	307DCBR	307DCSS	307DCPP
1"	310DCAL	310DCBR	310DCSS	310DCPP
1-1/4"	312DCAL	312DCBR	312DCSS	312DCPP
1-1/2"	315DCAL	315DCBR	315DCSS	315DCPP
2"	320DCAL	320DCBR	320DCSS	320DCPP
2-1/2"	325DCAL	325DCBR	325DCSS	—
3"	330DCAL	330DCBR	330DCSS	330DCPP
4"	340DCAL	340DCBR	340DCSS	340DCPP
5"	350DCAL	*350DCRB	350DCSS	—
6"	360DCAL	*360DCRB	360DCSS	—
8"	380DCAL	—	—	—

5" and 6" are Red Brass  
 Investment Cast Stainless Steel handles standard on EVER-TITE® Aluminum couplers  
 Brass handles standard on 8" parts

#### EVER-TITE® and Tough-TITE® Note:

1/2" Aluminum, Brass and Stainless Steel Parts are not Interchangeable.  
 8" part has 4-handle design

### Tough-TITE® Industrial Cam and Groove Couplings



Size	Aluminum	Brass	316 Stainless Steel	Ductile Iron	Nylon (yellow)	Polypropylene (black)
1/2"	3E05DCAL	3E05DCCB	3E07DCSS	—	—	—
3/4"	3E07DCAL	3E07DCCB	3E07DCSS	—	3E07DCNY	3E07DCPP
1"	3E10DCAL	3E10DCCB	3E10DCSS	—	3E10DCNY	3E10DCPP
1-1/4"	3E12DCAL	3E12DCCB	3E12DCSS	—	*3E12DCNY	—
1-1/2"	3E15DCAL	3E15DCCB	3E15DCSS	3E15DCDI	3E15DCNY	3E15DCPP
2"	3E20DCAL	3E20DCCB	3E20DCSS	3E20DCDI	3E20DCNY	3E20DCPP
2-1/2"	3E25DCAL	3E25DCCB	3E25DCSS	—	—	—
3"	3E30DCAL	3E30DCCB	3E30DCSS	3E30DCDI	3E30DCNY	3E30DCPP
4"	3E40DCAL	3E40DCCB	3E40DCSS	3E40DCDI	3E40DCNY	3E40DCPP
5"	3E50DCAL	3E50DCCB	—	—	—	—
6"	3E60DCAL	3E60DCCB	3E60DCSS	—	—	—
8"	3E80DCALA	—	3E80DCSS	—	—	—

\*1-1/4" Nylon coupler portion is to the 1-1/2" standard  
 Stainless Steel handles standard on Tough-TITE® Polypropylene and Nylon couplers.  
 Brass handles standard on Tough-TITE® Aluminum couplers

### U-TITE® Utility Cam and Groove Couplings



Size	Aluminum	Forged Brass	316 Stainless Steel
1/2"	3E05DCAL	3U05DCFB	3U05DCSS
3/4"	3U07DCAL	3U07DCFB	3U07DCSS
1"	3U10DCAL	3U10DCFB	3U10DCSS
1-1/4"	3U12DCAL	3U12DCFB	3U12DCSS
1-1/2"	3U15DCAL	3U15DCFB	3U15DCSS
2"	3U20DCAL	3U20DCFB	3U20DCSS
2-1/2"	3U25DCAL	3U25DCFB	3U25DCSS
3"	3U30DCAL	3U30DCFB	3U30DCSS
4"	3U40DCAL	3U40DCFB	3U40DCSS
5"	3U50DCAL	3U50DCFB	3U50DCSS
6"	3U60DCAL	3U60DCFB	3U60DCSS

Stainless Steel handles standard on U-TITE® Aluminum couplers

#### ONLINE ORDER & TRACKING!



CALL US



EMAIL



FAX



WALK-IN

**"AMERICA'S MOST RESPONSIVE WAREHOUSE"**

## Part DP Dust Plug

### EVER-TITE® Premium Cam and Groove Couplings

Size	Aluminum	Forged Brass	316 Stainless Steel	Polypropylene (black)
1/2"	305DPAL	305DPBR	305DPSS	—
3/4"	307DPAL	307DPBR	307DPSS	307DPPP
1"	310DPAL	310DPBR	310DPSS	310DPPP
1-1/4"	312DPAL	312DPBR	312DPSS	312DPPP
1-1/2"	315DPAL	315DPBR	315DPSS	315DPPP
2"	320DPAL	320DPBR	320DPSS	320DPPP
2-1/2"	325DPAL	325DPBR	325DPSS	—
3"	330DPAL	330DPBR	330DPSS	330DPPP
4"	340DPAL	340DPBR	340DPSS	340DPPP
5"	350DPAL	*350DPRB	350DPSS	—
6"	360DPAL	*360DPRB	360DPSS	—
8"	380DPAL	—	—	—

\* 5" and 6" are Red Brass.

NOT to be used in pressure applications



EVER-TITE® available options:  
Brass handles  
Monel, Hastelloy C and Carpenter 20® alloy  
Anodizing (see page 2)

EVER-TITE® and Tough-TITE® Note:  
1/2" Aluminum, Brass and Stainless parts are not interchangeable

### Tough-TITE® Industrial Cam and Groove Couplings

Size	Aluminum	Brass	316 Stainless Steel	Ductile Iron	Nylon (yellow)	Polypropylene (black)
1/2"	3E05DPAL	3E05DPCB	3E05DPSS	—	—	—
3/4"	3E07DPAL	3E07DPCB	3E07DPSS	—	3E07DPNY	3E07DPPP
1"	3E10DPAL	3E10DPCB	3E10DPSS	—	3E10DPNY	3E10DPPP
1-1/4"	3E12DPAL	3E12DPCB	3E12DPSS	—	—	—
1-1/2"	3E15DPAL	3E15DPCB	3E15DPSS	3E15DPDI	3E15DPNY	3E15DPPP
2"	3E20DPAL	3E20DPCB	3E20DPSS	3E20DPDI	3E20DPNY	3E20DPPP
2-1/2"	3E25DPAL	3E25DPCB	3E25DPSS	—	—	—
3"	3E30DPAL	3E30DPCB	3E30DPSS	3E30DPDI	3E30DPNY	3E30DPPP
4"	3E40DPAL	3E40DPCB	3E40DPSS	3E40DPDI	3E40DPNY	3E40DPPP
5"	3E50DPAL	3E50DPCB	—	—	—	—
6"	3E60DPAL	3E60DPCB	3E60DPSS	—	—	—
8"	—	—	3E80DPSS	—	—	—



### U-TITE® Utility Cam and Groove Couplings

Size	Aluminum	Forged Brass	316 Stainless Steel
1/2"	3U05DPAL	3U05DPFB	3U05DPSS
3/4"	3U07DPAL	3U07DPFB	3U07DPSS
1"	3U10DPAL	3U10DPFB	3U10DPSS
1-1/4"	3U12DPAL	3U12DPFB	3U12DPSS
1-1/2"	3U15DPAL	3U15DPFB	3U15DPSS
2"	3U20DPAL	3U20DPFB	3U20DPSS
2-1/2"	3U25DPAL	3U25DPFB	3U25DPSS
3"	3U30DPAL	3U30DPFB	3U30DPSS
4"	3U40DPAL	3U40DPFB	3U40DPSS
5"	3U50DPAL	3U50DPFB	3U50DPSS
6"	3U60DPAL	3U60DPFB	3U60DPSS



# Cam and Groove Couplings

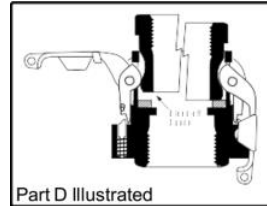
## EVER-TITE® Locking Handle Couplers

### Model 101

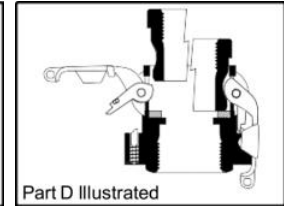
#### Double-Locking Handle Bleed-Off Couplers

The ONLY bleed-off coupler available

- Extra security – two sets of locking handles
- Releasing one set of handles will bleed off hose pressure
- During bleed-off, handles can be securely reclosed



Lift up the outer set of handles into the bleed-off position while the locked inner handles hold the adapter within the coupling.



When fully bled-off, pull down on the latch button (not shown) to release the inner set of handles, held by the spring-loaded latch, allowing the coupling to be fully disconnected.

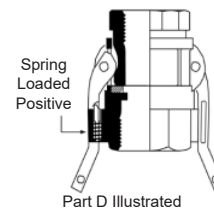
Size	Part C			Part D		
	Aluminum	Forged Brass	316 Stainless Steel	Aluminum	Brass	316 Stainless Steel
1"	—	—	310CLHSS101	—	—	310DLHSS101
1-1/2"	315CLHAL101	—	315CLHSS101	315DLHAL101	—	315DLHSS101
2"	320CLHAL101	—	320CLHSS101	320DLHAL101	—	320DLHSS101
2-1/2"	—	—	325CLHSS101	—	—	325DLHSS101
3"	330CLHAL101	—	330CLHSS101	330DLHAL101	—	330DLHSS101
4"	340CLHAL101	—	340CLHSS101	340DLHAL101	—	340DLHSS101

### Model 102

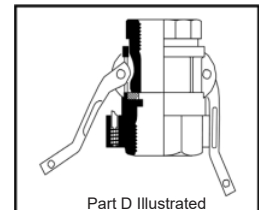
#### Positive-Locking Handle Couplers

The industry standard for locking handle couplers

- Most secure locking handle design available
- Requires NO special action to close
- Deliberate release of locking mechanism required to open



Coupling and male adapter in the locked position. The handles cannot be inadvertently pulled open.



To release the lock, pull down on the latch buttons and lift up the handles.

Size	Part C			Part D		
	Aluminum	Forged Brass	316 Stainless Steel	Aluminum	Brass	316 Stainless Steel
1"	—	—	310CLHSS102	—	*310DLHFBR102	310DLHSS102
1-1/2"	315CLHAL102	—	315CLHSS102	315DLHAL102	*315DLHFBR102	315DLHSS102
2"	320CLHAL102	—	320CLHSS102	320DLHAL102	—	320DLHSS102
2-1/2"	—	—	325CLHSS102	—	325DLHBR102	325DLHSS102
3"	330CLHAL102	—	330CLHSS102	330DLHAL102	—	330DLHSS102

\* Forged Brass

Joint Sales Calls!!



CALL US



EMAIL



FAX



WALK-IN

# Cam and Groove Couplings

## Positive-Locking Handle Couplers

Transform a standard 3"-5" EVER-TITE® or TOUGH-TITE® coupler into a positive locking handle coupler. An alternative to the 102; the same locking enhancement but on a standard coupler. Call TODAY for details

### Tough-TITE® Locking Handle Couplers

#### Part B

Female Coupler x Male Thread



#### Part C

Female Coupler x Hose Shank



#### Part D

Female Coupler x Female Thread



#### Part DC

Dust Cap



316 Stainless Steel				
Size	Part B	Part C	Part D	Part DC
1-1/4"	3E12BLHSS	3E12CLHSS	3E12DLHSS	3E12DCLHSS
1-1/2"	3E15BLHSS	3E15CLHSS	3E15DLHSS	3E15DCLHSS
2"	3E20BLHSS	3E20CLHSS	3E20DLHSS	3E20DCLHSS
2-1/2"	3E25BLHSS	3E25CLHSS	3E25DLHSS	3E25DCLHSS
3"	3E30BLHSS	3E30CLHSS	3E30DLHSS	3E30DCLHSS
4"	3E40BLHSS	3E40CLHSS	3E40DLHSS	3E40DCLHSS
6"	3E60BLHSS	3E60CLHSS	3E60DLHSS	3E60DCLHSS

Safety Clips can be used with locking handle couplers. (Included)  
Tough-Tite® Locking Handle Couplers subject to availability.

### Overlocking Handles for Dust Caps

Size	Brass	Aluminum	304 Stainless Steel
1-1/4", 1-1/2"	—	—	3THOL250
2"	320HBRL	—	3THOL250
2-1/2"	—	—	3THOL250
3"	330HBRL	—	3THOL400
4"	340HBRL	—	3THOL400
6"	—	360HSSL	3THOL600

Can be added to any Ever-Tite® or Tough-Tite® dust cap. Contact APG for more information.

EVER-TITE®

Tough-TITE®

# Cam and Groove Couplings

## Increasers/Reducers



Part	Size Adapter/Thread	EVER-TITE®			Tough-TITE®	
		Aluminum	Brass	316 Stainless Steel	Aluminum	316 Stainless Steel
A	3/4" x 1/2"	—	30705ABR	30705ASS	—	—
	1" x 2"	31020AAL	—	—	—	—
	2" x 1-1/2"	32015AAL	32015ABR	—	—	—
	2" x 3"	32030AAL	32030ABR	32030ASS	—	—
	2-1/2" x 3"	32530AAL	—	—	—	—
	3" x 2"	33020AAL	33020ABR	—	3E3020AAL	—
	3" x 2-1/2"	33025AAL	—	—	—	—
	3" x 4"	33040AAL	33040ABR	33040ASS	3E3040AAL	—
4" x 3"	34030AAL	34030ABR	—	3E4030AAL	—	
B	2" x 1-1/2"	^32015BAL	—	—	3E2015BAL	—
	3" x 2"	33020BAL	—	—	3E3020BAL	—
	3" x 2-1/2"	—	33025BBR	—	—	—
	3" x 4"	—	—	—	3E3040BAL	—
	4" x 3"	34030BAL	34030BBR	—	3E4030BAL	—
C	1-1/2" x 1"	31510CAL	31510CBR	—	—	—
	2" x 2-1/2"	32025CAL	—	—	—	—
	3" x 2"	33020CAL	—	—	3E3020CAL	—
	3" x 2-1/2"	33025CAL	33025CBR	—	3E3025CAL	3E3025CSS
	3" x 3-1/2"	33035CAL	—	—	—	—
	3" x 4"	—	33040CBR	—	3E3040CAL	—
	4" x 3"	34030CAL	34030CBR	—	3E4030CAL	—
	4" x 3-1/2"	34035CAL	34035CBR	—	—	—
D	3/4" x 1/2"	30705DAL	30705DBR	—	—	—
	2" x 1-1/2"	32015DAL	—	—	3E2015DAL	—
	2-1/2" x 2"	32520DAL	—	—	—	—
	3" x 2"	33020DAL	33020DBR	33020DSS	3E3020DAL	—
	3" x 2-1/2"	33025DAL	—	—	—	—
	4" x 2"	—	—	34020DSS	—	—
	4" x 2-1/2"	34020DAL	—	—	—	—
	4" x 3"	34030DAL	34030DBR	—	3E4030DAL	—
E	3" x 2"	—	—	—	3E3020EAL	—
	3" x 2-1/2"	33025EAL	—	—	—	3E3025ESS
	3" x 4"	33040EAL	33040EBR	—	—	—
	4" x 3"	—	34030EBR	—	3E4030EAL	—
	4" x 3-1/2"	34035EAL	—	—	—	—
F	1-1/2" x 2"	31520FAL	—	—	—	—
	2" x 1-1/2"	32015FAL	32015FBR	—	3E2015FAL	—
	3" x 1-1/5"	33015FAL	—	—	3E3015FAL	—
	3" x 2"	33020FAL	33020FBR	—	3E3020FAL	—
	3" x 2-1/2"	33025FAL	—	—	—	—
	3" x 4"	33040FAL	—	—	3E3040FAL	—
	4" x 3"	34030FAL	34030FBR	—	—	—

^ The standard EVER-TITE® 2" x 1-1/2" Aluminum part B is pictured.

A All Brass version is available with a longer check containing the thread.

# Cam and Groove Couplings

Size	EVER-TITE®		Tough-TITE®		
	Aluminum	316 Stainless Steel	Brass	Aluminum	316 Stainless Steel
1 x 1	—	310SASS	—	3E10SAAL	3E10SASS
1-1/4 x 1-1/4	—	312SASS	—	3E12SAAL	3E12SASS
1-1/2 X 1-1/2	315SAAL	315SASS	—	3E15SAAL	3E15SASS
1-1/2 x 2	31520SAAL	—	—	3E1520SAAL	3E1520SASS
2 x 2	320SAAL	320SASS	3E20SABR	3E20SAAL	3E20SASS
2 x 2-1/2	—	—	—	3E2025SAAL	—
2 x 3	—	32030SASS	—	3E2030SAAL	3E2030SASS
2 x 4	32040SAAL	—	—	—	—
2-1/2 x 2-1/2	—	—	—	—	—
2-1/2 x 3	32530SAAL	—	—	—	—
3 x 3	330SAAL	330SASS	3E30SABR	3E30SAAL	3E30SASS
3 x 4	33040SAAL	—	—	3E3040SAAL	3E3040SASS
4 x 4	340SAAL	—	—	3E40SAAL	3E40SASS
4 x 5	—	—	—	—	—
4 x 6	—	—	—	3E4060SAAL	—
6 x 6	360SAAL	—	—	3E60SAAL	—

## Pool Adapter

\*Part SA



## Pool Coupler

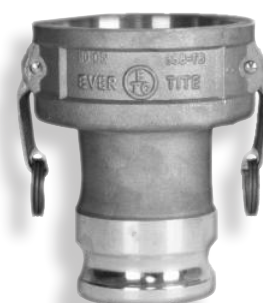
\*Part BB



Size	EVER-TITE®		Tough-TITE®	
	Aluminum	316 Stainless Steel	Aluminum	316 Stainless Steel
1-1/2 x 1-1/2	315BBAL	—	3E15BBAL	3E15BBSS
2 x 2	—	320BBSS	3E20BBAL	3E20BBSS
2 x 3	330BBAL	—	—	3E2030BBSS
3 x 3	340BBAL	330BBSS	3E30BBAL	3E30BBSS
4 x 4	34030BBAL	—	3E40BBAL	3E40BBSS

Size	EVER-TITE®		Tough-TITE®	
	Aluminum	316 Stainless Steel	Aluminum	316 Stainless Steel
1-1/2 x 2	31520BAAL	—	3E1520BAAL	—
2 x 1-1/2	32015BAAL	32015BASS	3E2015BAAL	3E2015BASS
2 x 3	32030BAAL	—	3E2030BAAL	3E2030BASS
2 x 4	—	—	3E2040BAAL	3E2040BASS
3 x 1-1/2	—	—	3E3015BAAL	3E3015BASS
3 x 2	33020BAAL	33020BASS	3E3020BAAL	3E3020BASS
3 x 2-1/2	—	—	3E3025BAAL	3E3025BASS
3 x 4	33040BAAL	—	3E3040BAAL	3E3040BASS
4 x 2	—	—	3E4020BAAL	3E4020BASS
4 x 3	34030BAAL	34030BASS	3E4030BAAL	3E4030BASS
4 x 6	34060BAAL	—	3E4060BAAL	—
5 x 4	35040BAAL	—	—	—
6 x 4	36040BAAL	—	3E6040BAAL	3E6040BASS
6 x 5	—	—	—	—

## Coupler/Adapter



We have LARGE inventories!!



CALL US



EMAIL



FAX



WALK IN

# Cam and Groove Couplings

## EVER-TITE® Premium Butt Weld & Socket Weld Couplings



**Part A  
Butt Weld**



**Part D  
Butt Weld**

Size	Part A Adapter				Part D Coupler			
	Butt Weld				Butt Weld			
	Tube		Pipe		Tube		Pipe	
	Aluminum	316 Stainless Steel	Aluminum	316 Stainless Steel	Aluminum	316 Stainless Steel	Aluminum	316 Stainless Steel
3/4	307ABWALT	307ABWSST	307ABWALP10 307ABWALP40	307ABWSSP10 307ABWSSP40	307DBWALT	307DBWSST	307DBWALP10 307DBWALP40	307DBWSSP10 307DBWSSP40
1	310ABWALT	310ABWSST	310ABWALP10 310ABWALP40	310ABWSSP10 310ABWSSP40	310DBWALT	310DBWSST	310DBWALP10 310DBWALP40	310DBWSSP10 310DBWSSP40
1-1/2	315ABWALT	315ABWSST	315ABWALP10 315ABWALP40	315ABWSSP10 315ABWSSP40	315DBWALT	315DBWSST	315DBWALP10 315DBWALP40	315DBWSSP10 315DBWSSP40
2	320ABWALT	320ABWSST	320ABWALP10 320ABWALP40	320ABWSSP10 320ABWSSP40	320DBWALT	320DBWSST	320DBWALP10 320DBWALP40	320DBWSSP10 320DBWSSP40
2-1/2	325ABWALT	325ABWSST	325ABWALP10 325ABWALP40	325ABWSSP10 325ABWSSP40	325DBWALT	325DBWSST	325DBWALP10 325DBWALP40	325DBWSSP10 325DBWSSP40
3	330ABWALT	330ABWSST	330ABWALP10 330ABWALP40	330ABWSSP10 330ABWSSP40	330DBWALT	330DBWSST	330DBWALP10 330DBWALP40	330DBWSSP10 330DBWSSP40
4	340ABWALT	340ABWSST	340ABWALP10 340ABWALP40	340ABWSSP10 340ABWSSP40	340DBWALT	340DBWSST	340DBWALP10 340DBWALP40	340DBWSSP10 340DBWSSP40
5	350ABWALT	350ABWSST	350ABWALP10 350ABWALP40	350ABWSSP10 350ABWSSP40	350DBWALT	350DBWSST	350DBWALP10 350DBWALP40	350DBWSSP10 350DBWSSP40
6	360ABWALT	360ABWSST	360ABWALP10 360ABWALP40	360ABWSSP10 360ABWSSP40	360DBWALT	360DBWSST	360DBWALP10 360DBWALP40	360DBWSSP10 360DBWSSP40

Note: Additional Butt Weld Pipe Sizes Available Upon Request; i.e., Schedule 5 and 80. Part numbers ending in 10 are to schedule 10 pipe. Part numbers ending in 40 are to schedule 40 pipe.



**Part A  
Socket Weld**



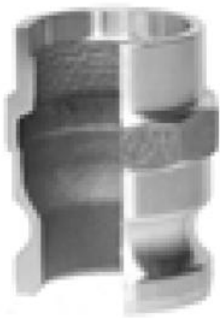
**Part D  
Socket Weld**

SIZE	Part A Adapter				Part D Coupler			
	Socket Weld				Socket Weld			
	Tube		Pipe		Tube		Pipe	
	Aluminum	316 Stainless Steel	Aluminum	316 Stainless Steel	Aluminum	316 Stainless Steel	Aluminum	316 Stainless Steel
3/4	307ASWALT	307ASWSST	307ASWALP	307ASWSSP	307DSWALT	307DSWSST	307DSWALP	307DSWSSP
1	310ASWALT	310ASWSST	310ASWALP	310ASWSSP	310DSWALT	310DSWSST	310DSWALP	310DSWSSP
1-1/2	315ASWALT	315ASWSST	315ASWALP	315ASWSSP	315DSWALT	315DSWSST	315DSWALP	315DSWSSP
2	320ASWALT	320ASWSST	320ASWALP	320ASWSSP	320DSWALT	320DSWSST	320DSWALP	320DSWSSP
2-1/2	325ASWALT	325ASWSST	325ASWALP	325ASWSSP	325DSWALT	325DSWSST	325DSWALP	325DSWSSP
3	330ASWALT	330ASWSST	330ASWALP	330ASWSSP	330DSWALT	330DSWSST	330DSWALP	330DSWSSP
4	340ASWALT	340ASWSST	340ASWALP	340ASWSSP	340DSWALT	340DSWSST	340DSWALP	340DSWSSP
5	350ASWALT	350ASWSST	350ASWALP	350ASWSSP	350DSWALT	350DSWSST	350DSWALP	350DSWSSP

# Cam and Groove Couplings

## Tough-TITE® Industrial Socket Weld Couplings

**Part A  
Tube  
Socket Weld**



**Part A  
Pipe  
Socket Weld**



**Part D  
Tube  
Socket Weld**



**Part D  
Pipe  
Socket Weld**



Size	Part A Adapter				Part D Coupler			
	Tube Socket Weld		Pipe Socket Weld		Tube Socket Weld		Pipe Socket Weld	
	Aluminum	316 Stainless Steel	Aluminum	316 Stainless Steel	Aluminum	316 Stainless Steel	Aluminum	316 Stainless Steel
1-1/2	3E15ASWALT	3E15ASWSST	3E15ASWALP	3E15ASWSSP	3E15DSWALT	3E15DSWSST	3E15DSWALP	3E15DSWSSP
2	3E20ASWALT	3E20ASWSST	3E20ASWALP	3E20ASWSSP	3E20DSWALT	3E20DSWSST	3E20DSWALP	3E20DSWSSP
2-1/2	3E25ASWALT	3E25ASWSST	3E25ASWALP	3E25ASWSSP	3E25DSWALT	3E25DSWSST	3E25DSWALP	3E25DSWSSP
3	3E30ASWALT	3E30ASWSST	3E30ASWALP	3E30ASWSSP	3E30DSWALT	3E30DSWSST	3E30DSWALP	3E30DSWSSP
4	3E40ASWALT	3E40ASWSST	3E40ASWALP	3E40ASWSSP	3E40DSWALT	3E40DSWSST	3E40DSWALP	3E40DSWSSP
5	3E50ASWALT	—	3E50ASWALP	—	3E50DSWALT	—	3E50DSWALP	—
6	3E60ASWALT	3E60ASWSST	3E60ASWALP	3E60ASWSSP	3E60DSWALT	3E60DSWSST	3E60DSWALP	3E60DSWSSP



**“America’s Most Responsive Warehouse”**



CALL US



EMAIL



FAX



WALK-IN

# Cam and Groove Couplings

## EVER-TITE® Heavy Duty Brass Couplings

**Not** interchangeable with standard cam and groove couplings. 3/4" through 2" sizes include handle rings.

Size	Brass				Gasket Buna
	Part A	Part D	Dust Cap	Dust Plug	
1"	310AXB	310DXB	310DCXB	310DPXB	310GSKBUHD
1-1/4"	—	—	—	—	312GSKBUHD
1-1/2"	315AXB	315DXB	—	—	315GSKBUHD
2"	320AXB	320DXB	320DCXB	320DPXB	320GSKBUHD
2-1/2"	—	—	—	—	325GSKBUHD
3"	330AXB	330DXB	330DCXB	330DPXB	330GSKBUHD
4"	340AXB	—	—	—	340GSKBUHD

## Tough-TITE® Heavy Duty Ductile Iron Couplings

**NEW PRODUCT**

- Provides durability in abrasive applications
- High Pressure performance versus standard ductile iron.
- Coating provides corrosion resistance



Size	Heavy Duty Ductile Iron				Working Pressure (PSI)
	Part A	Part C	Part D	Part E	
3/4"	3E07AXDI	—	3E07DXDI	—	—
1"	3E10AXDI	—	3E10DXDI	—	500
1-1/4"	3E12AXDI	—	3E12DXDI	—	500
1-1/2"	3E15AXDI	—	3E15DXDI	—	500
2" x 1-1/2"	3E2015AXDI	—	3E2015DXDI	—	500
2"	3E20AXDI	3E20CXDI	3E20DXDI	3E20EXDI	500
3"	—	3E30CXDI	—	3E30EXDI	400
4"	—	3E40CXDI	—	3E40EXDI	250

\* standard working temperature 225° F with standard buna gasket

# Cam and Groove Couplings

## **EVER-TITE® 90° Part A**

Male Adapter x Female Thread

Size	Brass	Aluminum
1-1/2"	—	315A90AL
2"	320A90BR	320A90AL
3"	330A90BR	330A90AL
4"	—	340A90AL



## **EVER-TITE® 90° Part C**

Female Coupler x Hose Shank

Size	Brass	Aluminum	316 Stainless Steel	Brass
1-1/4"	312C90BR	—	—	3E12C90CB
1-1/2"	315C90BR	315C90AL	—	—
2"	320C90BR	320C90AL	—	—
3"	—	330C90AL	330C90SS	—
4"	340C90BR	340C90AL	—	—



## **EVER-TITE® 90° Part D**

Female Coupler x Female Thread

Size	Brass	Aluminum	316 Stainless Steel
1-1/4"	312D90BR	—	—
1-1/2"	315D90BR	315D90AL	315D90SS
2"	320D90BR	320D90AL	320D90SS
2-1/2"	325D90BR	325D90AL	—
3"	330D90BR	330D90AL	330D90SS
4"	—	340D90AL	340D90SS
6"	—	360D90AL	—



## **EVER-TITE® 90° Spool Coupler**

Part BB

Size	Aluminum
2"	320BB90AL
3"	330BB90AL
4"	340BB90AL
6"	360BB90AL



## **EVER-TITE® 90° Coupler/Adapter**

Part BA

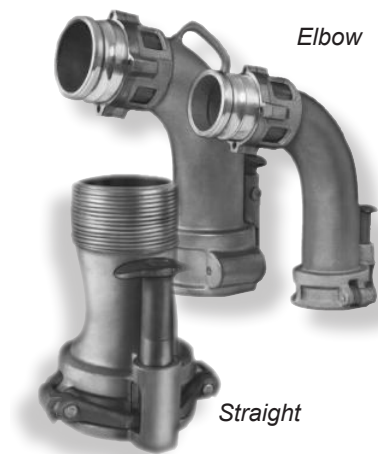
Female Coupler x Male Adapter

Size	Brass	Aluminum
2"	—	320BA90AL
4"	—	340BA90AL
6"	—	360BA90AL



# EVER-TITE® Cam and Groove Couplings

## No. 99 Tight-Fill Couplings



Aluminum Body, Brass parts

Part Number	Description
33099SGALNIE	3" x 100° x 8-1/2" Clearance sight gauge - no inlet end
33099SGALAIE	3" x 100° x 8-1/2" Clearance sight gauge - 3" adapter inlet end
33099SGALCIE	3" x 100° x 8-1/2" Clearance sight gauge - 3" coupler inlet end
33099SGAL40AIE	3" x 100° x 8-1/2" Clearance sight gauge - 4" adapter inlet end
33099SGAL40CIE	3" x 100° x 8-1/2" Clearance sight gauge - 4" coupler inlet end
33099SGALMT*	3" x 100° x 8-1/2" Clearance sight gauge - male threaded inlet end
33099SGALFT*	3" x 100° x 8-1/2" Clearance sight gauge - female threaded inlet end
33099SAL	3" Straight (no sight gauge) male threaded inlet only
34099SAL	4" Straight (no sight gauge) male threaded inlet only
34099SGALNIE	4" x 100° x 12-1/2" Clearance sight gauge - no inlet end
34099SGALAIE*	4" x 100° x 12-1/2" Clearance sight gauge - 4" adapter inlet end
34099SGALCIE*	4" x 100° x 12-1/2" Clearance sight gauge - 4" coupler inlet end
34099SGAL30AIE*	4" x 100° x 12-1/2" Clearance sight gauge - 3" adapter inlet end
34099SGAL30CIE*	4" x 100° x 12-1/2" Clearance sight gauge - 3" coupler inlet end
34099SGALMTIE*	4" x 100° x 12-1/2" Clearance sight gauge - male threaded inlet end
34099SGALFTIE*	4" x 100° x 12-1/2" Clearance sight gauge - female threaded inlet end
34099SAL	4" Straight (no sight gauge) male threaded inlet only

Stirrup handle available assembled on 4" SG's only

## Parts for No. 99 Elbow Couplings

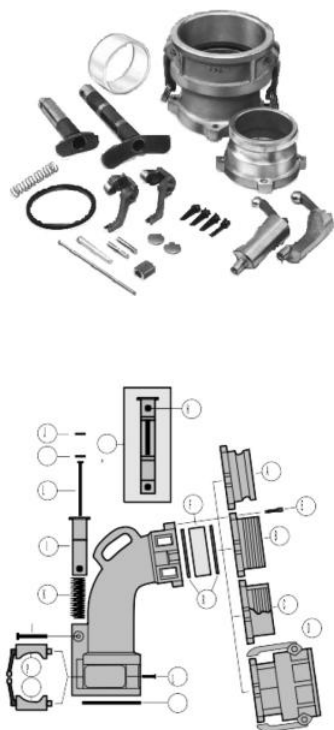


Diagram Reference	Part Number		Description
	3"	4"	
A	330AIEAL99	340AIEAL99	Adapter inlet end only
A	340AIEAL3099	—	4" Adapter inlet end for 3" No. 99
A	—	330AIEAL4099	3" Adapter inlet end for 4" No. 99
B	330MIEAL99	340MTIEAL99	Male threaded inlet end only
C	—	340FTIEAL99	Female threaded adapter inlet end only
D	330CIEAL99	340CIEAL99	Coupler inlet ends only
D	340CIEAL3099	—	4" Coupler inlet end for 3" No. 99
D	—	330CIEAL4099	3" Coupler inlet end for 4" No. 99
E	330SCRXX99	340SCRXX99	Screws for inlet end (set of four)
F	330PSXX99	340PSXX99	Plexiglas® shell only
G	—	340HBR99PLT	Plunger (T-handle)
H	—	340SPBR99	Spacer
I	330PLBR99	—	Plunger
J	—	340CAPB—R99	Cap
K	330SPRXX99	340SPRXX99	Spring
L	330RODXX99	—	Rod
M	330DISCBR99	—	Disc
N	330PSSHL	—	Headed Pin
O	330GSKBUMS	340GSKBU99	Coupler gasket
P	330HBRLF99	340HBRLF99	Left Handle
Q	330HBRRT99	340HBRRT99	Right Handle
R	330GSKBUSG99	340GSKBU97AGM	Buna Gasket
(U)S	—	340HBR99PLSL	Stirrup handle assembly available

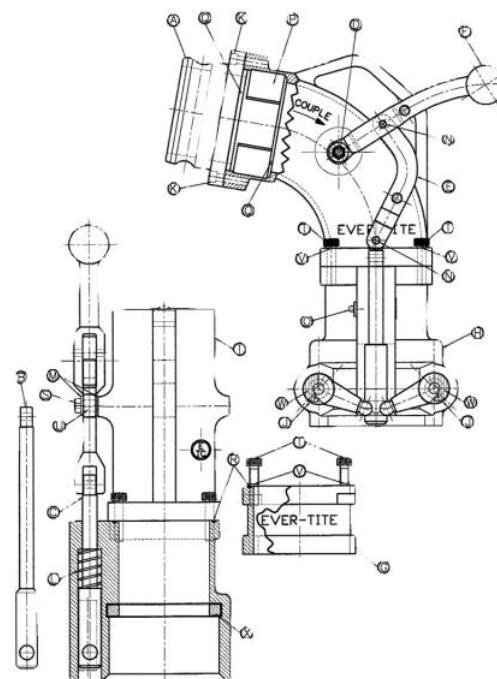
## Tight-Fill Couplings

Assemblies Without Extension Kits		Assemblies with Extension Kits	
Part Number	Description	Part Number	Description
340TFALNR	4" TF Elbow with Sight Glass No Inlet End - Right Hand	340TFALNRK	4" TF Elbow with Sight Glass and Ext Kit No Inlet End - Right Hand
340TFALNL	4" TF Elbow with Sight Glass No Inlet End - Left Hand	340TFALNLK	4" TF Elbow with Sight Glass and Ext Kit No Inlet End - Left Hand
340TFALAR	4" TF Elbow with Sight Glass 4" Adapter Inlet End - Right Hand	340TFALARK	4" TF Elbow with Sight Glass and Ext Kit 4" Adapter Inlet End - Right Hand
340TFALAL	4" TF Elbow with Sight Glass 4" Adapter Inlet End - Left Hand	340TFALALK	4" TF Elbow with Sight Glass and Ext Kit 4" Adapter Inlet End - Left Hand
340TFALCR	4" TF Elbow with Sight Glass 4" Coupler Inlet End - Right Hand	340TFALCRK	4" TF Elbow with Sight Glass and Ext Kit 4" Coupler Inlet End - Right Hand
340TFALCL	4" TF Elbow with Sight Glass 4" Coupler Inlet End - Left Hand	340TFALCLK	4" TF Elbow with Sight Glass and Ext Kit 4" Coupler Inlet End - Left Hand
340TFALMR	4" TF Elbow with Sight Glass Male Threaded Inlet End - Right Hand	340TFALMRK	4" TF Elbow with Sight Glass and Ext Kit Male Threaded Inlet End - Right Hand
340TFALML	4" TF Elbow with Sight Glass Male Threaded Inlet End - Left Hand	340TFALMLK	4" TF Elbow with Sight Glass and Ext Kit Male Threaded Inlet End - Left Hand
340TFALFR	4" TF Elbow with Sight Glass Female Threaded Inlet End - Right Hand	340TFALFRK	4" TF Elbow with Sight Glass and Ext Kit Female Threaded Inlet End - Right Hand
340TFALFL	4" TF Elbow with Sight Glass Female Threaded Inlet End - Left Hand	340TFALFLK	4" TF Elbow with Sight Glass and Ext Kit Female Threaded Inlet End - Left Hand
340TFALA3R	4" TF Elbow with Sight Glass 3" Adapter Inlet End - Right Hand	340TFALA3RK	4" TF Elbow with Sight Glass and Ext Kit 3" Adapter Inlet End - Right Hand
340TFALA3L	4" TF Elbow with Sight Glass 3" Adapter Inlet End - Left Hand	340TFALA3LK	4" TF Elbow with Sight Glass and Ext Kit 3" Adapter Inlet End - Left Hand
340TFALC3R	4" TF Elbow with Sight Glass 3" Coupler Inlet End - Right Hand	340TFALC3RK	4" TF Elbow with Sight Glass and Ext Kit 3" Coupler Inlet End - Right Hand
340TFALC3L	4" TF Elbow with Sight Glass 3" Coupler Inlet End - Left Hand	340TFALC3LK	4" TF Elbow with Sight Glass and Ext Kit 3" Coupler Inlet End - Left Hand



Diagram Reference	Part Number	Description	Assembly
A	340AIEAL99	Inlet End	1
C	—	Shaft	1
D	—	Double Threaded Stud	1
E	340TFFLLAL	Lower Level	1
F	—	Upper Level	1
H	—	Base	1
I	—	Elbow	1
J	—	Cam - Left	1
		Cam - Right	1
K	—	Screws for Inlet End	4
L	340TFSPG	Spring	1
M	—	Flat Washer - Nylon	2
N	—	Slotted Spring Pins	2
O	340TFGF	Grease Fitting	1
P	340PSXX99	Sight Glass	1
Q	40GSKBU97AGM	Gasket @ Sight Glass	2
R	V2.5X109	Fluoroelastomer O-Ring	1
S	—	Hex Nut	1
T	—	Hex Head Cap Screws	4
U	—	Bushing - Plastic	1
V	—	Lock Washer	4
W	340TFTW	Teflon® White Disc	2
X	340GSKBU99	Gasket @ Base	1
Extension Kit			
B	—	Extension Shaft	1
G	—	Base Extension	1
L	340TFSPG	Spring	1
R	V2.5X109	Fluoroelastomer O-Ring	1

## Parts for Tight-Fill Couplings



## EVER-TITE® ASA Flange Couplings

(A.N.S.I. Class 150)



**FLA  
Adapter  
(Class 150)**



**FLB  
Coupler  
(Class 150)**

150 lb flat faced or raised face.

Size	FLA Adapters (Class 150)			FLB Couplers (Class 150)		
	Brass	Aluminum	316 Stainless Steel	Brass	Aluminum	316 Stainless Steel
1"	—	—	310FLASS	—	—	310FLBSS
1-1/2"	315FLABR	315FLAAL	315FLASS	315FLBBR	315FLBAL	315FLBSS
2"	320FLABR	320FLAAL	320FLASS	320FLBBR	320FLBAL	320FLBSS
2"x 2-1/2"	—	—	—	—	—	—
2-1/2"	325FLABR	—	—	—	325FLBAL	—
2-1/2" X 4"	—	—	—	—	—	—
3"	330FLABR	330FLAAL	330FLASS	330FLBBR	330FLBAL	330FLBSS
4"	340FLABR	340FLAAL	340FLASS	340FLBBR	340FLBAL	340FLBSS
4" x 6"	—	—	—	—	—	—
6"	360FLABR	360FLAAL	360FLASS	360FLBBR	360FLBAL	—
8"	—	—	—	—	—	—

## EVER-TITE® Railroad Tank Car Adapters



Size	Aluminum Part Number
5" X 2"	35020TCAAL
5" X 3"	35030TCAAL
5" X 4"	35040TCAAL

Size	Leather Part Number	Buna Part Number
5"	350GSKLTTC	350GSKBUTC

## EVER-TITE® API Gravity Drop Couplings



Size	Aluminum	
	Part Number	Description
4"x3"	340GDCAL30A	4" API Coupler x 3" Adapter
4"x4"	340GDCAL40A	4" API Coupler x 4" Adapter
4"x4"	340GDCAL40B	4" API Coupler x 4" Coupler

## API Gravity Drop Coupler Replacement Gasket



Size	Part Number	Description
4"	340GSKBUGDC	4" Buna Gravity Drop Gasket

**EVER-TITE® 90° coupler w/ check valve**



Size	Brass	Aluminum
1-1/2"	315CV90BR	315CV90AL
2"	320CV90BR	320CV90AL
3"	—	330CV90AL

**EVER-TITE® Vapor Recovery System**



Size	Part Number	Description
3" x 3"	330VRVAL	3" Male adapter with 3" male pipe thread & poppet valve
4" x 4"	340VRVAL	4" Male adapter with 4" female pipe thread & poppet valve
3" x 3"	330VRCAL	3" Female coupler with 3" hose shank & probe
4" x 4"	340VRCAL	4" Female coupler with 4" hose shank & probe
4" x 4"	340VRC90AL	4" Female coupler, 90° elbow, with 4" shank & probe
4" x 3"	34030VRCAL	4" Female coupler with 3" hose shank & probe
4" x 3"	34030VRBAL	4" Female coupler with 3" male pipe thread & probe
4" x 4"	340VRBBAL	4" Female coupler & probe with 4" Female coupler & probe
4" x 3"	34030VRBAAL	4" Female coupler & probe with 3" Male adapter
4" x 3"	34030VRBBAL	4" Female coupler & probe with 3" coupler

Size	Part Number	Description
4"	340DPALPH	4" Aluminum Dust Plug with bump and pull handle



**EVER-TITE® Aluminum Dust Plug with Bump & Pull Handle**



**EVER-TITE® Fill Pipe Adapters and Caps**

Adapter Size	Pipe Size	Part Number	Brass Only
3"	2"	3302097ABR	97A-Adapter Only
3"	2-1/2"	—	97AG-Adapter with Gasket
3"	3"	33097ABR	97AGM-Adapter (2-1/2" high) with Gasket
3"	3"	33097AGBR	
3"	4"	—	
4"	3"	3403097AGMBR	
4"	4"	—	
4"	4"	34097AGMBR	
4"	4"	34097AGMCBNL	

**Fill-Pipe Adapter**



Size	Part Number	Description
3"	33097MBR	Locking Cap (Extension Handle)
4"	34097MCB	Locking Cap (Two Handles)
3"	330HBR97M	Locking Handle Only

**Adapter Cap**



Brass Only

**Also Available are Placard Shields**

Protect your placard with APG's Clear Polyethylene PETG plastic. Thicknesses include .020" and .040" made to your specifications.

## Tough-TITE® Cam and Groove Couplings



**Coupler/Adapter with Relief Nipple**

Size Coupler Adapter	Size: Relief Nipple	316 Stainless Steel Part Number
3" x 2"	1/2"	3E3020BASSRN05
3" x 2"	3/4"	3E3020BASSRN07
3" x 2"	1"	3E3020BASSRN10



**Spool Adapter with Relief Nipple**

Size: Spool Adapter	Size: Relief Nipple	316 Stainless Steel Part Number
3" x 3"	1/2"	3E30SASSRN05
3" x 3"	3/4"	3E30SASSRN07



**Spool Coupler with Relief Nipple**

Size: Spool Adapter	Size: Relief Nipple	316 Stainless Steel Part Number
2" x 2"	1/2"	3E20BBSSRN05
3" x 3"	1/2"	3E30BBSSRN05

## EVER-TITE® Tank Truck Flange Couplings

### -TTMA Flanges



LB Adapter



LAT Adapter

Size	Aluminum	
	LAT Adapter	LBT Coupler
2"	320LATAL	320LBTAL
3"	330LATAL	330LBTAL
4"	340LATAL *340LAT225AL	340LBTAL *340LBT225AL
6"	360LATAL	360LBTAL

\* 22-1/2° Elbow

### Aluminum Handwheels



Description	Part Number
-------------	-------------

Description	Part Number
-------------	-------------

## EVER-TITE® Flanges

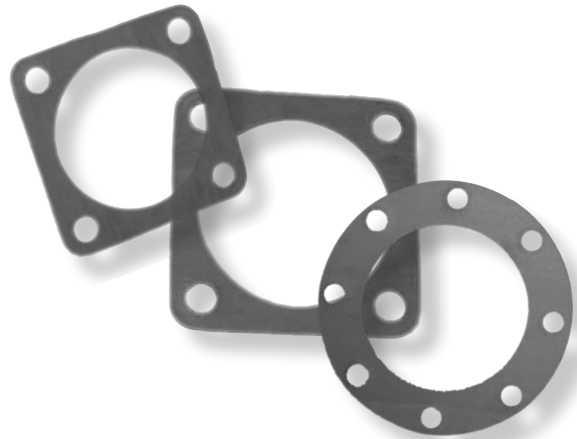


FLANGE	Size	Aluminum	Plain Steel	Aluminum	Plain Steel	BH Ø	# of holes
Square Flange	2"	320FGSQAL	—	—	—	3.750"	
	3"	330FGSQAL	—	—	—	4.875"	
TTMA Round Flange	2"	320TTRFAL	—	—	—	3.750"	8
	3"	330TTRFAL	—	—	—	4.875"	8
	4"	340TTRFAL	—	—	—	5.875"	8
TTMA Flued Flange		Flued		Blind Flued			
	2"	—	320TTFLPS	—	—	3.750"	6
	3"	330TTFLAL	330TTFLPS	—	330TTLBPS	4.875"	8
	4"	340TTFLAL	340TTFLPS	—	340TTLBPS	5.875"	8
TTMA Flange X NPT Thread		FEMALE NPT		Male NPT			
	3"	330TTFALF	330TTFPSF	330TTFALM	330TTFPSM	4.875"	8
	4"	340TTFALF	—	340TTFALM	—	5.875"	8



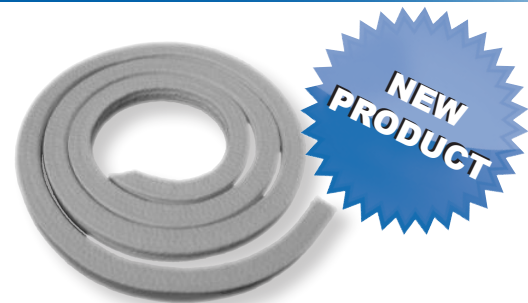
## Fabricated Gaskets for Transportation

Size	Non-Abestos	Cork/ Rubber
	1/8" Thick	1/8" Thick
	Part Number	Part Number
<b>TTMA Flange Gasket</b>		
2"	13TTMA2FLGNA	13TTMA2FLGCR
3"	13TTMA3FLGNA	13TTMA3FLGCR
4"	13TTMA4FLGNA	13TTMA4FLGCR
6"	13TTMA6FLGNA	13TTMA6FLGCR
<b>TTMA Drain Sump Gasket</b>		
3"	13TTMA3SUMPNA	13TTMA3SUMPCR
4"	13TTMA4SUMPNA	13TTMA4SUMPCR
<b>Tank Truck Square Flange Gasket</b>		
2"	13TTMAFL2NA	13TTMAFL2NA
3"	13TTMAFL3NA	13TTMAFL2NA



## Dome Manhole Packing

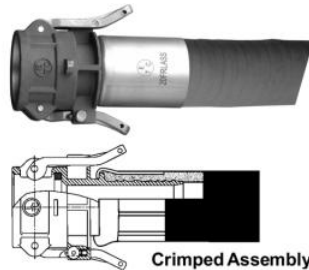
Size	Acrylic Blended Fiber Impregnated with PTFE	
	Part Number	Description
5/8" X 68"	1113000	Dry
5/8" X 68"	113000L	Lubricated



**Also Available**  
**20" Black Fluoroelastomer**  
**Dome Manhole Gasket**  
 Part # 13TTMHC2000RV

## CrimPro Professionals Crimping

# Why Crimp?



**Crimped hose connections provide a more reliable and safer alternative to banding. Banding Buckles can be a risk of injury to the operator handling the hose assembly.**

- APG/EVER-TITE® crimp sleeves are seamless for increased strength and reliability.
- The non-sparking aluminum crimp sleeves and ferrules provide an additional safety feature to the assembly.
- Escape the liability that band attachments provide with a “smooth” connection.
- Boost your shank retention with APG/EVER-TITE® interlocking ferrules. Designed for critical applications. These ferrules can be crimped or swaged.

**Ask about the APG/EVER-TITE® CrimPro Calculator to assist in computing the OD crimp target.**

- EVER-TITE® Stainless Steel ferrules are designed to meet the greater retention requirements of XLPE and UHMW chemical transfer hoses.
- Tested to meet or exceed the Rubber Manufacturers Association liquid hose pressure safety requirements of four (4) times the working pressure without leaking.
- Reference the NAHAD Hose Assembly Guidelines for industry standard recommendations and requirements associated with fabrication and testing of hose assemblies.

Note: APG/EVER-TITE® coupling products, ferrules and crimp sleeves should be used only in combination with one another. Different brands of these type products are not interchangeable in any combination.

**Strengthen your industrial hose connection with APG/EVER-TITE® crimp sleeves and notched ferrules. APG/EVER-TITE® industrial hose couplings are the connection solution for demanding applications.**



“America’s Most Responsive Warehouse”

**MARKEN**™ Crimping Machines  
MANUFACTURING

Efficiently create hose assemblies for a variety of industrial applications. The addition of a crimp machine to any shop can benefit production.

- + Cut cost and increase production
- + Crimping force up to 440 tons
- + Touch screen display and controls



**K40**

Size	Max Crimp size
2" Industrial	3" (76 mm)



**K60**

Size	Max Crimp size
4" Industrial	5.5" (130 mm)



**K285**

Size	Max Crimp size
6" 150lb Flange	9" (230 mm) (Min. 1/4")



Size Max Crimp size

## EVER-TITE® CrimPro Sleeves & Ferrules



**Note:** Aluminum Crimp Sleeves Can Be Anodized In Various Colors



Size	Notched Ferrule	Multi-Notched Ferrule	Crimp Sleeve		Hose Dim. (Inches)		Crimp Sleeve Dim. (Inches)		
	304 Stainless Steel	Aluminum	304 Stainless Steel	Aluminum	OD Min.	OD Max.	Thickness	ID	Length
3/4"	307FRLASS	—	307CRLASS	—	1-2/64	1-8/64	0.065	1.150	1.850
	307FRLBSS	—	307CRSASS	307CRSAAL	1-2/64	1-8/64	0.065	1.150	1.500
	—	—	307CRSBSS	307CRSBAL	1-6/64	1-15/64	0.065	1.300	1.500
1"	310FRLASS	—	310CRSASS	310CRSAAL	1-29/64	1-35/64	0.065	1.620	1.750
	310FRLBSS	—	310CRSBSS	310CRSBAL	1-36/64	1-44/64	0.065	1.770	1.750
	—	—	—	310CRSCAL	1-42/64	1-50/64	0.065	1.8700	2.000
1-1/4"	—	—	312CRSASS	312CRSAAL	1-39/64	1-60/64	0.065	2.000	2.000
	—	—	—	312CRSBAL	1-58/64	2-2/64	0.065	2.100	2.000
1-1/2"	315FRLASS	315FRLAALN	315CRSASS	315CRSAAL	1-60/64	2-12/64	0.083	2.334	2.000
	315FRLBSS	—	315CRSBSS	—	2-4/64	2-22/64	0.065	2.370	2.000
	—	—	—	315CRSCAL	2-20/64	2-26/64	0.083	2.450	2.000
2"	—	—	320CRSAASS	—	2-26/64	2-34/64	0.083	2.560	2.250
	320FRLASS	320FRLAALN	320CRSASS	320CRSAAL	2-30/64	2-44/64	0.083	2.709	2.250
	320FRLBSS	320FRLBALN	320CRSBSS	320CRSBAL	2-42/64	2-54/64	0.120	2.885	2.250
	—	320FRLCALN	—	320CRSCAL	2-50/64	3	0.120	3.085	2.250
	—	—	—	—	—	—	—	—	—
2-1/2"	325FRLASS	—	325CRSASS	325CRSAAL	2-62/64	3-14/64	0.120	3.260	2.750
	325FRLBSS	—	325CRSBSS	—	3-13/64	3-22/64	0.120	3.385	2.750
	—	—	—	325CRSCAL	3-16/64	3-31/64	0.120	3.510	3.000
3"	330FRLASS	330FRLAALN	330CRSASS	330CRSAAL	3-30/64	3-46/64	0.120	3.760	3.000
	330FRLBSS	330FRLBALN	330CRSBSS	330CRSBAL	3-47/64	3-54/64	0.120	3.885	3.000
	—	330FRLCALN	—	330CRSCAL	3-56/64	4	0.120	4.010	3.000
	—	—	—	330CRSDAL	4	4-16/64	0.120	4.375	3.000
4"	340FRLASS	340FRLAALN	340CRSASS	340CRSAAL	4-40/64	4-47/64	0.120	4.760	3.000
	340FRLBSS	340FRLBALN	340CRSBSS	340CRSBAL	4-48/64	4-56/64	0.120	5.010	3.000
5"	—	—	—	350CRSAAL	5-16/64	5-32/64	0.120	5.400	4.450
6"	—	—	—	360CRSAAL	6-16/64	6-48/64	0.155	6.750	5.000
	—	*360FRLPS*	—	360CRSBAL	6-31/64	7-12/64	0.175	7.250	5.000
	—	—	—	380CRSAAL4	8-20/64	8-60/64	0.175	9.100	4.000
8"	—	—	—	380CRSAAL6	8-20/64	8-60/64	0.175	9.100	6.000
	—	—	—	380CRSBAL4	8-60/64	9-32/64	0.175	9.750	4.000
	—	—	—	380CRSBAL6	8-60/64	9-32/64	0.175	9.750	6.000
	—	—	380CRSACS	—	8-20/64	8-60/64	0.125	9.100	4.000
	—	—	380CRSBCS	—	8-60/64	9-32/64	0.125	9.750	4.000
	—	—	—	—	—	—	—	—	—

\*ZINC PLATED

- APG/EVER-TITE® Multi-Notched Ferrules 1-1/2" - 4" are compatible with EVER-TITE® 1-1/2"-4" Aluminum cam and groove coupling parts with round shoulder hose shanks.
- 360FRLPS is compatible with the 4-handle part "C" (360CAL4S) and part "E" (360EALS) with round ferrule shoulder on page 29.
- APG/EVER-TITE® Crimp Sleeves are compatible with EVER-TITE®, Tough-TITE®, and U-TITE® Stainless Steel, Aluminum and Brass cam and coupling parts with hose shanks.

See page 4 for cam & groove part C. See Page 6 for cam & groove part E.  
See page 10 for locking handle couplers.

**Note:**

APG/EVER-TITE® coupling products, ferrules and crimp sleeves should be used only in combination with one another. Different brands of these type products are not interchangeable in any combination.

## EVER-TITE® CrimPro Cam & Groove Couplings

### Combination Nipples

- with groove for APG multi-notched aluminum ferrules

Size	Steel Plated
1-1/2"	3TCNPG150
2"	3TCNPG200
3"	3TCNPG300
4"	3TCNPG400
6"	3TCNPG600



### PART C 4 Handle Coupler

- with shoulder for multi-notched ferrules

Size	Aluminum
4"	340CAL4S
6"	360CAL4S



### PART E Adapter

- with shoulder for multi-notched ferrules

Size	Aluminum
6"	360EALS



Size	EVER-TITE®	Tough-TITE®
	316 Stainless Steel	316 Stainless Steel
	Hose Shank x Male Thread With Notched Collar	Hose Shank x Male Thread With Notched Collar And Wrench Flat
3/4	—	3E07CNSSN
1	—	3E10CNSSN
1-1/2	—	3E15CNSSN
2	—	3E20CNSSN
3	330CNSS	—
4	340CNSS	—

### Hose Shank x Male Thread



EVER-TITE®



Tough-TITE®

\* 3/4" parts compatible with additional machining of standard parts

### Swivel-TITE®

- Less torque on the hose extends hose life hose assemblies with permanently
- Easier connection in limited space attached couplings environments
- Eliminate operator torque
- Patent Nos. 5,947, 530 and 5,944, 364

Part C Swivel Coupler	
Size	316 Stainless Steel
2"	320CSSSWVL
3"	330CSSSWVL
4"	340CSSSWVL

