



PUSH-TO-CONNECT FITTINGS

For Pneumatic Automation, Potable Water
and Aggressive Service Applications



GOODYEAR
RUBBER PRODUCTS, INC.

727-342-5088

You can also email us at
GRP@goodyearrubberproducts.com

Connecting you to higher productivity.

Improved throughput, increased efficiency, smaller footprints, faster assembly, and leak-free innovation.

Our technically superior push-to-connect fittings, valves, cartridges, tubing, and accessories have been designed to engineer your success, offering you new ways to create value. Our partnership approach allows us to work together to create the solutions you need to operate more efficiently and effectively.

FOOD PROCESSING

Meeting Stringent Sanitary and Aseptic Standards

Types of Applications

MIXING • BAKING • COOLING • PACKAGING • FILLING • WASHING • LABELING • CONVEYING

Performance Expectations

- FDA compliance
- Hygienic design
- Compact
- Highly reliable
- Ability to work in vacuum
- Wide range of chemical compatibility
- Ability to withstand high temperatures
- Detectability

Applicable Products

LF3600 Electroless Nickel- Plated Brass Fittings
LF3800 Stainless Steel Fittings
Flow Controls
LIQUIfit™ Thermoplastic Fittings
TrueSeal™ Thermoplastic Fittings



WATER AND BEVERAGE

Keeping it Clean, Keeping it Safe

Types of Applications

FILTRATION • PURIFICATION • PROCESSING • DISPENSING • BOTTLING • TREATMENT

Performance Expectations

- Manufactured from FDA-compliant materials
- Meets NSF/ANSI 61 requirements for potable water contact
- Excellent chemical resistance
- Wide range of materials for fluid compatibility
- Mechanical resistance
- Installation flexibility

Applicable Products

LIQUIfit™ Thermoplastic Fittings
TrueSeal™ Thermoplastic Fittings
Check Valves
Thermoplastic Ball Valves



PULP AND PAPER

Highly Durable in Corrosive Applications

Performance Expectations

- High reliability
- Maximum chemical resistance
- Cleanliness

Applicable Products

LF3800 Stainless Steel Fittings
Stainless Steel Flow Controls
TrueSeal™ Kynar® Fittings



PETROCHEMICAL

Improving Durability, Lessening Risk

Types of Applications

PROCESSING • TRANSFERRING • PNEUMATIC CIRCUITS • COOLING • MEASURING

Performance Expectations

- High chemical resistance
- Robust design
- Wide temperature range
- Quality traceability

Applicable Products

LF3600 Electroless Nickel-Plated Brass Fittings
LF3800 Stainless Steel Fittings
TrueSeal™ Kynar® Fittings
Flow Controls



LIFE SCIENCE

Collaborating for Leak-Free Innovation

Types of Applications

OXYGEN TRANSFER • FLUID TRANSFER • DISPENSING • CLEANING AND STERILIZATION • PNEUMATIC CIRCUITS

Performance Expectations

- Quality traceability
- Cleanliness
- Compact design
- Suitable for use with O₂
- High reliability
- Installation flexibility

Applicable Products

LF3000 Composite Fittings
LF3600 Electroless Nickel-Plated Brass Fittings
LF3800 Stainless Steel Fittings
LIQUIfit™ Thermoplastic Fittings
TrueSeal™ Thermoplastic Fittings
Flow Controls



FACTORY/PROCESS AUTOMATION

Increasing Performance, Standardizing Inventory

Types of Applications

PROCESSING • TRANSFERRING • PNEUMATIC CIRCUITS • COOLING • MEASURING

Performance Expectations

- Compact design
- Weld splatter resistance
- Robustness
- Vacuum performance
- High reliability
- Mechanical resistance
- Installation flexibility

Applicable Products

LF3000 Composite Fittings
LF3600 Electroless Nickel-Plated Brass Fittings
LF3800 Stainless Steel Fittings
LIQUIfit™ Fittings
TrueSeal™ Thermoplastic Fittings
Flow Controls



AUTOMOTIVE WELDING

Wide Temperature Range, Weld Spatter Resistant

Performance Expectations

- High reliability

Applicable Products

LF3600 Electroless Nickel-Plated Brass Fittings



Product Line



LF3000 Composite

Specifications:

Pressure Range

- Up to 290 PSI (19.9 bar)
- Up to 260 PSI (17.9 bar) (3/16" tubing size only)

Temperature

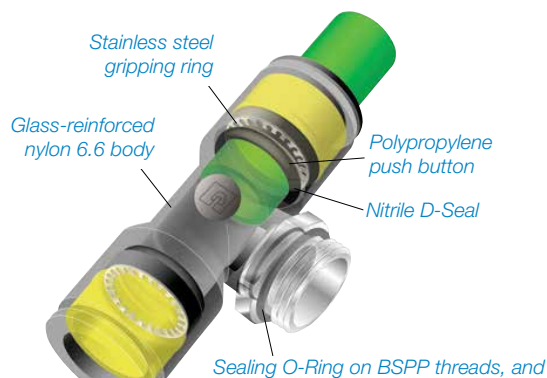
- -4° to +175° F (-20° to +79.4°C)
- +5° to +155° F (-15° to +68.3°C) (3/16" size only)

Product Features:

- Stainless steel gripping ring
- Glass-reinforced nylon 6.6 body
- Nitrile D-seal for air and inert gas
- NPT, BSPT, BSPP, metric threads & plug-in options
- Widest range of configurations
- Round internal hex on straights allows for easy assembly in tight areas
- Oxygen cleaning available - Meets ISO 15001

Applications: Dry bulk packaging, factory automation, life sciences (respiratory)

Compatible Tubing: Fluoropolymer, Nylon, Polyethylene, Polyurethane 95 Durometer Shore A



Prestolok PLP Metal / PrestoWeld

Specifications:

Pressure Range

- Up to 300 PSI (20.6 bar)
depending on tubing

Temperature

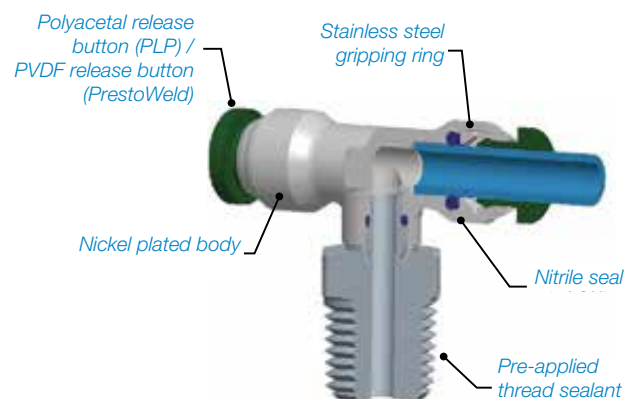
- 0° to +200° F (-17.7° to +93.3° C)

Product Features:

- Stainless steel gripping ring
- Nickel-plated brass body
- Nitrile seal (EPDM & FKM available)
- NPT threads
- Available in Inch only
- PrestoWeld meets UL94 V-0 for flame resistance

Applications: Dry bulk packaging, factory automation, car wash equipment

Compatible Tubing: Fluoropolymer, Nylon, Polyethylene, Polyurethane 95 Durometer Shore A
Polyethylene, 95FR Flame Resistant



Product Line



LF3600 Electroless Nickel-Plated Brass

Specifications:

Pressure Range

- Up to 435 PSI (30 bar)

Temperature

- -13° to +302° F (-25° to +150° C)



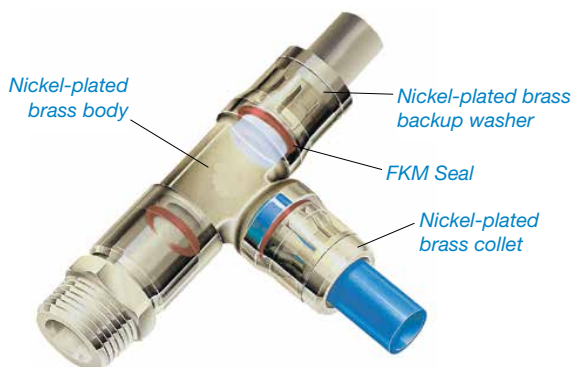
Note: Units with thread sealant do not meet FDA compliance.

Product Features:

- Electroless nickel-plated collet and body for chemical and welding spark resistance
- FKM seal for chemical and air applications
- NPT, BSPT, BSPP, and metric threads
- Round internal hex on straights allows for easy assembly in tight areas

Applications: Food wash down for OEM, automotive welding

Compatible Tubing: Fluoropolymer, Nylon, Polyethylene, Polyurethane 95 Durometer Shore A, Stainless Steel (grooved), Copper (grooved)



LF3800 Stainless Steel

Specifications:

Pressure Range

- Up to 435 PSI (30 bar)

Temperature

- -13° to +302° F (-25° to +150° C)



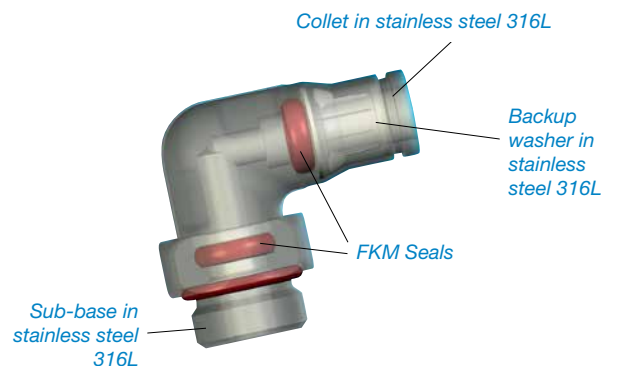
Note: Units with thread sealant do not meet FDA compliance.

Product Features:

- Stainless steel 316L body, collet, & backup washer provide maximum resistance to chemicals, corrosion, shock and abrasion
- FKM seal for chemical and air applications
- NPT, BSPT, BSPP, and metric threads
- Hygienic smooth design reduces retention zones for easy cleaning

Applications: Food wash down for MRO, pulp and paper

Compatible Tubing: Fluoropolymer, Nylon, Polyethylene, Polyurethane 95 Durometer Shore A, Stainless Steel (grooved), Copper (grooved)



How to Order

LF3000, LF3600 & LF3800

FRACTIONAL INCH: LF3000, LF3600, and LF3800

31 09 56 14
A B C D

METRIC LF3000, LF3600, and LF3800

31 09 08 10
A B C D

A

Series

30 / 31 LF3000
 36 LF3600
 38 LF3800

B

Fitting Configuration

02	Union Elbow	56	Plug-In Bulkhead Union
03	Male Run Tee	59	Oscillating Compact Male Elbow
04	Union / Unequal Union Tee		Reducer
06	Union / Unequal Union	66	Expander
07	Equal Cross	68	Male Connector (round body)
08	Male Branch Tee	71	Male Connector
09	Male / Female Elbow		Male Connector
12	Double Y Male Connector	75	45° Plug-In Elbow
14	Female Connector	80	Plug-In Elbow
16	Bulkhead Union	82	Plug-In Run Tee
18	Banjo	83	Extended Plug-In Elbow
20	Double Male Union	84	Plug-In Tee
22	Barbed Connector	88	Self-Sealing Male Connector
26	Plug	91	45° Male Elbow
29	Extended Male Elbow		Male Standpipe
36	Female Bulkhead	13 / 33	
39	Equal Bulkhead Elbow	21 / 31	
40	Y Union		
42	Plug-In Y		
44	Multiple Y Union		
48	Y Male Connector		
49	Twin Banjo		
51	End Cap		

C

Tube/Stem Size

04 [5/32] 4mm
 08 [5/16] 8mm
 53 1/8
 55 3/16
 56 1/4
 60 3/8
 62 1/2

D

Thread or Tube OD

00 No Threads
 08 1/16 NPT
 11 1/8 NPT
 14 1/4 NPT
 18 3/8 NPT
 20 10-32 UNF
 22 1/2 NPT

A

Series

30 / 31 LF3000
 36 LF3600
 38 LF3800

B

Fitting Configuration

01	Male Connector	58	Y Male Connector
02	Union Elbow	60	Self-Sealing Plug-In Connector
04	Union / Unequal Union Tee		Reducer
06	Union / Unequal Union	66	Expander
07	Equal Cross	68	Extended Male Elbow
14	Female Connector	69	45° Plug-In Elbow
16	Bulkhead Union	80	Male Connector (round body)
19	Double Banjo	81	Plug-In Elbow
20	Double Male Union		Plug-In Run Tee
22	Barbed Connector	82	Extended Plug-In Elbow
24	Banjo w/ BSPP Bolt	83	Plug-In Tee
26	Plug	84	Oscillating Compact Male Elbow
31	Male Standpipe	88	Self-Sealing Male Connector
32	Double Y Male Connector	89	Female Elbow
33	45° Male Elbow		Male Run Tee
39	Equal Bulkhead Elbow	91	Male Branch Tee
40	Y Union		Male Elbow
42	Plug-In Y	92	
43	Plug-In Multiple Y	93	
44	Multiple Y Union	98	
46	Female Bulkhead	99	
51	End Cap		
56	Plug-In Bulkhead Union		

C

Tube/Stem Size

04 4mm [5/32]
 06 6mm
 08 8mm [5/16]
 10 10mm
 12 12mm
 14 14mm
 16 16mm

D

Thread or Tube OD

00 No Threads
 09 M3x0.5
 10 1/8 BSPT / BSPP
 13 1/4 BSPT / BSPP
 17 3/8 BSPT / BSPP
 19 M5x0.8
 21 1/2 BSPT / BSPP
 55 M7x1
 60 M10x1
 67 M12x1.5

Note: Not all Fitting Configurations are available in all Series, Tube OD, and/or Thread size

LF3000 Composite Fittings

threaded fittings

3175 Male Connector NPT or BSPT 	3171 Male Connector UNF 	3181 Male Connector Metric 	3101 Male Connector BSPP or Metric 	3014 Female Connector NPT or UNF 	3114 Female Connector BSPP or M5 	3109 Male Elbow NPT or BSPT 	3199 Male Elbow BSPP or Metric 
3129 Male Elbow NPT, UNF or BSPT 	3169 Male Elbow BSPP or Metric 	3159 Male Elbow oscillating, NPT or BSPT 	3189 Male Elbow oscillating, BSPP or M5 	3009 Female Elbow NPT or UNF 	3192 Female Elbow BSPP 	3113 45° Male Elbow NPT, UNF or BSPT 	3133 45° Male Elbow BSPP or M5 
3108 Male Branch Tee NPT, BSPT or UNF 	3198 Male Branch Tee BSPP or M5 	3008 Female Branch Tee NPT 	3103 Male Run Tee NPT or BSPT 	3193 Male Run Tee BSPP or M5 	3121 Male Standpipe NPT, UNF or BSPP 	3131 Male Standpipe BSPP or M5 	3148 Y Male Connector NPT 
3158 Y Male Connector BSPP or M5 	3112 Double Y Male Connector BSPT 	3132 Double Y Male Connector BSPP 	3018 Banjo NPT, UNF or BSPT 	3118 Banjo BSPP or Metric 	3124 Banjo Bolt BSPP or M5 	3149/3049 Twin Banjo UNF, BSPP or M5 	3119 Double Banjo BSPP or M5 

tube to tube fittings

3106 Union 	3102 Union Elbow 	3104 Union Tee 	3140 Y Union 	3144 Multiple Y Union 	3304 Multiple Tee 	3306 Double Multiple Tee 	3107 Equal Cross Tee 
---	---	---	---	--	--	--	--

bulkhead connector fittings

3146 Female Bulkhead 	3036/3136 Female Bulkhead NPT or BSPP 	3139 Equal Bulkhead Elbow 	3116 Bulkhead Union 	3156 Plug-in Bulkhead Union 
---	---	---	--	---

plug-in fittings

3182 Plug-In Elbow 	3184 Extended Plug-In Elbow 	3180 45° Plug-In Elbow 	3188 Plug-In Tee 	3183 Plug-In Run Tee 	3142 Plug-In Y 	3143 Plug-In Multiple Y 
3166 Reducer 	3168 Expander 					

plug-in accessories

3120 Double Male Union 	3126 Plug 	3122 Barbed Connector 
--	--	--

self-sealing fittings

3091 Self-Sealing Male Connector NPT or BSPT 	3391 Self-Sealing Male Connector BSPP 	3160 Self-Sealing Plug-In Connector 
---	--	---

LF3000 Composite Fittings

multi-connectors and din rail connectors

3379
Connector for
2 Tubes In Line



3381
Connector for
3 Tubes



3300
Modular Plug-In
Connectors



3320
Male Connector
Body



3321
Female Connector
Body



3329
Cap



modular fittings

3538
Single Banjo Body



3539
Double Banjo
Body



3549
Twin Banjo Body



3527
Single Banjo Bolt
BSP or M5



3528
Stacking Banjo
BSP or M5



3529
Stacking Banjo
BSP



3524
Female Threaded
Banjo Bolt
BSP or M5



accessories

clip



3151
End Cap



3000 70
Disconnection
Tool



7000
Joining Clips



3110/3330
Caps



3000 71 00
Tube Cutter



Prestolok PLP Metal Fittings

threaded fittings

W169PLP
Male Elbow Swivel
NPT



W169PLPNS
Male Elbow NPT



W171PLP
Male Run Tee
Swivel NPT



W172PLP
Male Branch Tee
Swivel NPT



66PLP
Female Connector
NPT



W68PLP
Male Connector
NPT



68PLP
Male Connector
NPT



68PLPR
Male Connector
Round Body NPT



threaded fittings

PLPHBF4-B
Male Connector
NPT



tube to tube

164PLP
Union Tee NPT



165PLP
Union Elbow NPT



62PLP
Union NPT



bulkhead union

62PLPBH
Bulkhead Union
NPT



66PLPBH
Female Bulkhead
Union NPT



LF3600 All Metal Fittings

threaded fittings

3675
Male Connector
NPT UNF or BSPT



3601
Male Connector
BSP or Metric



3681
Male Connector
M5



3014/3615
Female Connector
BSP or Metric



3614
Female Connector
NPT, UNF or BSPT



3609
Male Elbow
NPT, UNF or BSPT



3699
Male Elbow
BSP or Metric



3629
Extended Male
Elbow
BSPT



LF3600 All Metal Fittings

3669
Extended Male
Elbow
BSPP or M5



3608
Male Branch Tee
NPT, UNF or BSPT



3698
Male Branch Tee
BSPP or M5



3603
Male Run Tee
NPT, UNF or BSPT



3693
Male Run Tee
BSPP or M5



3621
Male Standpipe
BSPT



3631
Male Standpipe
BSPP or M5



banjo

3618
Banjo
BSPP or M5



tube to tube fittings

3606
Union



3602
Union Elbow



3604
Union Tee



bulkhead connectors

3616
Bulkhead Union



3636
Female Bulkhead



3639
Equal Bulkhead
Elbow



accessories

3666
Reducer



3668
Expander



3667
Adapter



3188
Barbed
Connector



3622
Plug-In Barbed
Connector



3120
Double Male
Union



3620
Double Male
Union



3126
Plug



3626
Plug



3800 70 00
Groove Tool



LF3800 Stainless Steel Fittings

threaded fittings

3805
Male Connector
NPT, UNF or BSPT



3801
Male Connector
BSPP or M5



3889
Male Elbow
NPT or BSPT



3879
Male Elbow
BSPP



3809
Extended Male
Elbow
NPT, UNF or BSPT



3899
Extended Male
Elbow
BSPP or M5



3808
Male Branch Tee
NPT or BSPT



3898
Male Branch Tee
BSPP or M5



3803
Male Run Tee
NPT or BSPT



3893
Male Run Tee
BSPP or M5



3821
Male Standpipe
NPT or BSPT



3831
Male Standpipe
BSPP or M5



tube to tube fittings

3806
Union



3802
Union Elbow



3804
Union Tee



3816
Bulkhead Union



accessories

3866
Reducer



3826
Plug



3800 70 00
Groove Tool



Flow Control Valves



Specifications:

Pressure Range

- 15 to 145 PSI (1.0 to 9.9 bar)

Temperature

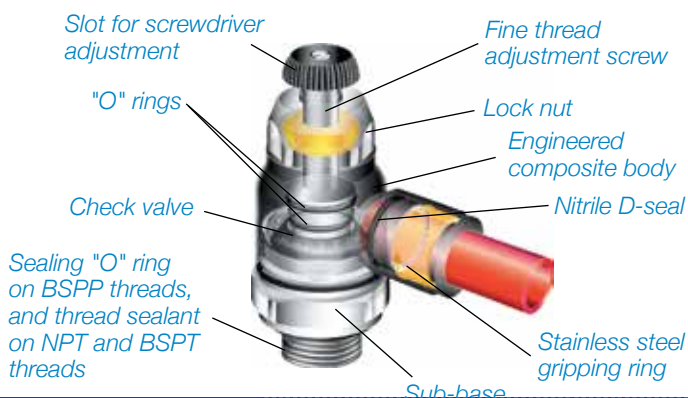
- +32° to +158° F (0° to +70°C)

Product Features:

- Control the speed of a pneumatic cylinder
- Composite, electroless nickel-plated brass, and stainless available
- Metering out and metering in configurations
- Adjustment screw or knobless available
- Threaded, swivel, in-line, and plug-in configurations
- Compact and miniature designs
- Stainless steel offers hygienic design for wash down applications

Applications: Packaging, filling, dispensing, bottling, pneumatic circuits

Compatible Tubing: Polyethylene, Polyurethane 95 Durometer Shore A, Semi-rigid Nylon, FEP Fluoropolymer



How to Order

FRACTIONAL INCH

70	31	56	14
A	B	C	D

METRIC

77	10	08	10
A	B	C	D

A Series

70	Compact Flow Control	77	In-Line Flow Control
71	Metal Flow Control		Control
76	Miniature Flow Control	78	Stainless Steel Flow Control

B Fitting Configuration

Fractional Inch		Metric	
05	Metal Push-to-Connect Meter Out	00	Metal Push-to-Connect Meter Out
15	Metal Threaded Meter Out	01	Metal Push-to-Connect Meter In
30	Plug-In Meter Out	10	Compact Knobless Meter Out; Metal Threaded Meter Out; Stainless Steel Threaded Knobless Meter Out
31	Plug-In Meter In	11	Compact Knobless Meter In; Metal Threaded Meter In
35	Stainless Steel Push-to-Connect Knobless Meter Out	12	Compact Knobless Bi-Directional; Stainless Steel Threaded Knobless Bi-Directional
65	Compact Meter Out	30	Plug-In Meter Out
66	Compact Meter In	31	Plug-In Meter In
67	Compact Bi-Directional	40	Compact Swivel Meter Out
70	In-Line	49	Compact Swivel Meter In
72	In-Line Bi-Directional	60	Compact Meter Out; Miniature Meter Out; Metal Compression Meter Out
75	Threaded In-Line	61	Compact Meter In
10 / 15	Compact Knobless Meter Out; Stainless Steel Threaded Knobless Meter Out	62	Compact Bi-Directional; Miniature Bi-Directional
11 / 16	Compact Knobless Meter In	69	Miniature Meter In
12 / 17	Stainless Steel Threaded Knobless Bi-Directional	70	In-Line
20 / 25	Miniature Knobless Meter In	71	Threaded In-Line
40 / 45	Compact Swivel Meter Out	72	In-Line Bi-Directional
60 / 65	Miniature Meter Out	76	In-Line Panel Mount
68 / 69	Miniature Meter In		

C Tube/Stem Size

Fractional Inch	Metric
04	4mm (5/32)
08	8mm (5/16)
53	1/8
56	1/4
60	3/8
04	4mm (5/32)
06	6mm
08	8mm (5/16)
10	10mm
12	12mm
14	14mm

D Thread or Tube OD

Fractional Inch	Metric
00	No Threads
11	1/8 NPT
14	1/4 NPT
18	3/8 NPT
20	10-32 UNF
22	1/2 NPT
00	No Threads
09	M3x0.5
10	1/8 BSPT / BSPP
13	1/4 BSPT / BSPP
17	3/8 BSPT / BSPP
19	M5x0.8
21	1/2 BSPT / BSPP

Flow Control Valves

flow controls – nylon

7065

Compact Meter Out
NPT or BSPT



7060

Compact Meter Out
BSPP



7067

Compact Bi-directional
NPT or BSPT



7062

Compact Bi-directional
BSPP



7066

Compact Meter In
NPT or BSPT



7061

Compact Meter In
BSPP



7015/7016

Knobless Compact
Meter Out/In
NPT or UNF



7010/7011

Knobless Compact
Meter Out/In
BSPP or M5



7012

Knobless Bi-directional
BSPP or M5



7660/7669

Miniature Meter Out/In
UNF



7665/7668

Miniature Meter Out/In
NPT or BSPT



7660/69/62

Miniature Meter Out/In,
Bi-directional
BSPP or M5



7625

Knobless Mini Meter Out
NPT



7620

Knobless Mini Meter Out
UNF



7045

Compact Swivel Outlet
Meter Out
NPT or BSPT



7640/7645

Mini Swivel Outlet
Meter Out
NPT, UNF or BSPT



7040/7041

Compact Swivel Outlet
Meter Out/In
BSPP



7640/7649

Mini Swivel Outlet
Meter Out/In
BSPP or M5



7630/7631

Plug-in Mini Meter Out/In



7030/7031

Plug-in Compact Meter Out/In



7770/7772

In-line



7776

In-line



7775

In-line
NPT



7771

In-line
BSPP



flow controls – metal

7105

Push-to-Connect
Meter Out
NPT



7100/7101

Push-to-Connect
Meter In/Out
BSPP



7115

Threaded Port
Meter Out
NPT



7110/7111

Threaded Port
Meter In/Out
BSPP



7160

Compression
Knobless
Meter Out
BSPP



7835

Push-to-Connect
Knobless
Meter Out
NPT



7810/7812

7815/7817
Threaded Port
Knobless
Meter Out
NPT or UNF

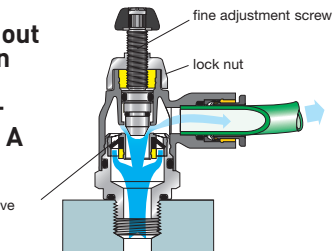


7810/7812

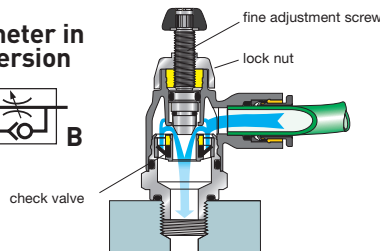
Threaded Port
Knobless
Meter Out/
Bi-directional
BSPP or M5



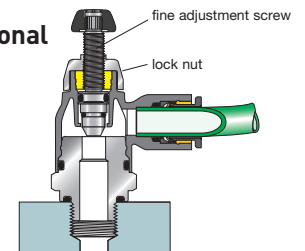
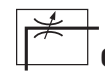
meter out version



meter in version



bi-directional version



LIQUIfit™ Fittings



Specifications:

Pressure Range

- Up to 230 PSI (15.9 bar)

Temperature

- +35° to +200° F (1.7° to +93.3°C)

Product Features:

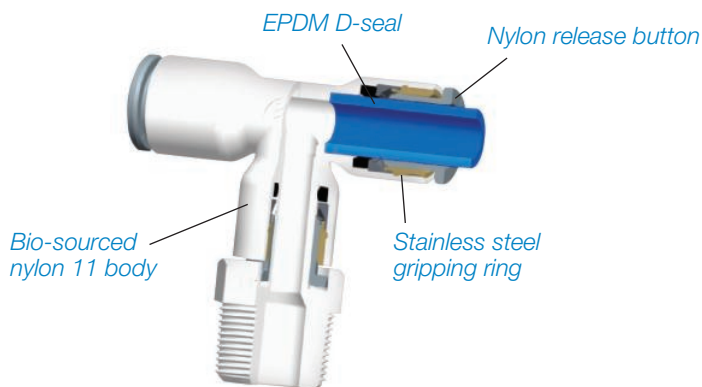
- Stainless steel grab ring
- Bio-sourced nylon 11 body
- EPDM D-seal
- FDA compliant, NSF/ANSI 51 and NSF/ANSI 61
- Silicone free
- 100% leak tested in production
- Date coding to guarantee quality and traceability

Applications: Water, beverages, food, CO₂

Compatible Tubing: Polyethylene

MARKETS

- Water Filtration
- Life Science
- Beverage Dispensing
- Bottling



How to Order

FRACTIONAL INCH LIQUIfit™

6505	56	11	W	P2
A	B	C	D	E

METRIC LIQUIfit™

6509	06	13	W	P2
A	B	C	D	E

A Fitting Configuration

6505 Male Connector	6351 End Stop
6315 Female Connector	6521 Stem Adapter
6306 Union Connector	6509 Swivel Elbow
6404 Union Tee	6508 Swivel Branch Tee
6316 Bulkhead Union	6382 Plug-In Elbow
6579 Fixed Elbow	6383 Plug-In Run Tee
6353 Faucet Connector	6326 Plug
6302 Union Elbow	6322 Stem to Hose Barb
6340 Union Y Connector	6503 Swivel Run Tee
6366 Reducer	6548 Swivel Y Connector
6388 Plug-In Tee	6380 Plug-In 45° Elbow
6307 Cross	

B Tube/Stem Size

Fractional Inch		Metric	
11	1/8	04	4mm [5/32]
04	5/32 (4mm)	06	6mm
56	1/4	08	8mm [5/16]
08	5/16 (8mm)	10	10mm
60	3/8	12	12mm
62	1/2		

C Thread or Tube OD

Fractional Inch		Metric	
00	Same Size as Tube	00	Same Size as Tube
11	1/8	04	4mm
14	1/4	06	6mm
18	3/8	08	8mm
22	1/2	10	10mm
133	7/16-24	12	12mm
		14	14mm
		13	1/4
		17	3/8
		21	1/2

D Color Code

W	White
---	-------

E Packaging

P2	Standard Packaging
----	--------------------



LIQUIfit™ Fittings

threaded fittings

6505
Male Connector
NPT or BSPT



6315
Female Connector
NPT or BSPT



6325
Faucet Connector



6579
Fixed Elbow
NPT or BSPT



6509
BSPT
Swivel Elbow
NPT or BSPT



6508
Male Branch Tee
NPT or BSPT



6503
Male Run Tee
NPT or BSPT



6548
Y Male Connector
NPT or BSPT



6521
Male Standpipe
NPT or BSPT



tube to tube fittings

6306
Union



6302
Union Elbow



6304
Union Tee



6340
Y Union



6307
Equal Cross



6316
Bulkhead Union



plug-in fittings

6382
Plug-In Elbow



6380
45° Plug-In Elbow



6388
Plug-In Tee



6383
Plug-In Run Tee



6366
Reducer



6326
Plug



6322
Barbed Connector



6351
End Cap



ball valves

VUC
Valve Union
Connector



VFC
Valve Female
Connector



VMC
Valve Male
Connector



VEU
Valve Elbow
Union



VFE
Valve Female
Elbow



VME
Valve Male
Elbow



VAS
Angled Stop
Valve



TrueSeal™ Fittings



Specifications:

Pressure Range

- Acetal and Kynar up to 300 PSI (20.7 bar)
- Polypropylene up to 150 PSI (10.3 bar)

Temperature

- Acetal: -20° to +180° F (-28.9° to +82.2°C)
- Polypropylene: 0° to +225° F (-17.7° to +107°C)
- Kynar: 0° to +275° F (-17.7° to +135°C)

Product Features:

- Available in Acetal, Polypropylene and Kynar materials
- Acetal and Polypropylene (EPDM seals)
- Kynar (Fluorocarbon (FKM) seals)
- Gripping ring with stainless steel bite edge or with an engineered thermoplastic bite edge
- FDA compliant, NSF/ANSI 51
- Gray Acetal & Black Polypropylene NSF/ANSI 61

Applications: Air, Water, Soft Drinks, Beer, Wine, Dyes

Compatible Tubing: Polyethylene, Polypropylene**, Nylon**, Vinyl⁺, Fluoropolymer**, Polyurethane⁺, Soft Copper**, Stainless Steel*

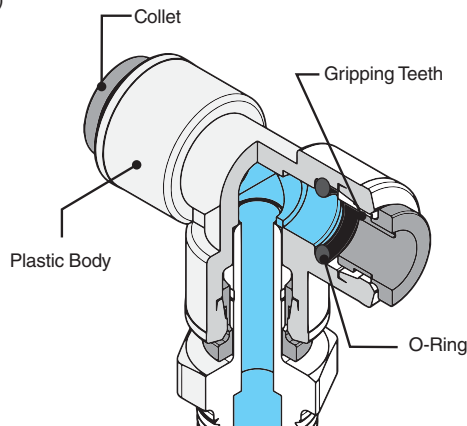
* Groove Required

** Metal gripper required (-MG suffix)

+ Tube Support required.

MARKETS

- Food
- Potable Water
- Chemical
- Filtration



How to Order

FRACTIONAL INCH TrueSeal™

A	4	MC	4	-MG
A	B	C	D	E

A Material

A	Acetal
F	Kynar
PP	White Polypropylene
PPB	Black Polypropylene

B Tube/Stem OD

Fractional Inch

4	1/4
5	5/16
6	3/8
8	1/2

C Fitting Configuration

MC Male Connector	CU Cross Union
MES Male Elbow Swivel	BU Bulkhead Union
MRS Male Run Tess Swivel	TEU Tube Elbow Union
MTS Male Branch Tee Swivel	RD Tube Reducer
TMC Male Standpipe	VC Check Valve
ME Male Elbow	MCVC Kynar Check Valve
FA Faucet Adapter	CAP Cap
FC Female Connector	TCB Barbed Connector
FE Female Elbow	TEB Barbed Elbow Connector
ST Straight Thread	TPL Plug
FF 45° Female Flare	TFA Female Faucet Adapter
EU Union Elbow	TAF Male Faucet Adapter
TU Union Tee	SC Safety Clip
WY Union Y	TS Tube Support
UC Union	TSC Cartridge Insert

D Thread or Tube OD

Fractional Inch

Blank	No Tube / Threads
2	1/8
4	1/4
5	3/16
6	3/8
8	1/2

E Gripper

Blank	Plastic Gripper
-MG	Metal Gripper

TrueSeal™ Fittings

threaded fittings

MC
Male Connector



MES
Male Elbow Swivel



MRS
Male Run Tee Swivel



MTS
Mate Tee Swivel



TMC
Tube Stem Adapter



ME
Male Elbow



FA
Faucet Adapter



FC
Female Connector



FE
Female Elbow



ST
Male Straight Thread



FF
45° Female Flare



tube to tube fittings

EU
Union Elbow



TU
Tee Union



WY
Y Union



UC
Union



CU
Cross Union



BU
Bulkhead Union



TEU
Tee Elbow Union



RD
Tube Reducer



auxiliary components

CAP
Cap



TCB
Tube-to-Barb Connector



TEB
Tube Elbow Barb Connector



TPL
Plug



TFA
Tube Faucet Adapter - Female



TAF
Tube Faucet Adapter - Male



check valves

VC
Check Valve



MCVC
PVDF Check Valve



ball valves

VME
Valve Male Elbow



VFE
Valve Female Elbow



VUC
Valve Union Connector



VFC
Valve Female Connector



VEU
Valve Elbow Union



VMC
Valve Male Connector



VTEU
Valve Tube Elbow Union



SC
Safety Clip



TS
Tube Support



AQRT
Quick Release Tool



Product Matrix

Tube Ø or Thread	Tube Ø or Thread	Compact Flow Controls	Miniature Flow Controls	Swivel Outlet Flow Controls	Plug-In Flow Controls	In-Line Flow Controls	Metal Flow Controls	Stainless Steel Flow Controls	Compact Bi-Directional Flow Controls	Stainless Bi-Directional Flow Control
10-32	10-32									
M5	M5									
1/8	10-32									
	1/8									
3mm	M3									
	M5									
4mm (5/32)	M3									
	10-32									
	M5									
	1/8									
	4mm									
1/4	10-32									
	1/8									
	1/4									
	1/4									
6mm	M5									
	1/8									
	6mm									
	1/4									
8mm (5/16)	3/8									
	1/8									
	1/4									
	8mm									
3/8	3/8									
	1/4									
	1/2									
1/2	1/2									
10mm	1/4									
	3/8									
	10mm									
	1/2									
12mm	1/4									
	3/8									
	12mm									
	1/2									

Technical Specifications

Temperature/Pressure

Product Line	Temperature	Tube Sizes/PSI													
		1/8"	5/32"	3/16"	1/4"	5/16"	3/8"	1/2"	4mm	6mm	8mm	10mm	12mm	14mm	16mm
LF3000	-4° to 175° F	290	290	260	290	290	290	290	290	290	290	290	290	290	290
PLP Metal	0° to 200°F	300	300	300	300	300	300	300	300		300				
LF3600	-13° to 302° F		435		435		435	435	435	435	435	435	435	435	
LF3800	-13° to 302° F		435		435	435	435	435	435	435	435	435	435		
90° Flow Control	32° to 158° F	145	145		145	145	145	145	145	145	145	145	145	145	
Swivel Flow Control	32° to 158° F		145		145		145		145	145	145	145	145		
In-Line Flow Control	32° to 158° F		145		145	145	145	145	145	145	145	145	145		
Plug-In Flow Control	32° to 158° F	145	145		145				145	145	145	145	145		
LIQUIfit	+35° to 200°F	230	230		230	230	190	160	230	230	230	190	160	160	
TrueSeal (depends on material type)	-20° to 275°F	300		300	300	300	300	300							

Tubing Compatibility

Product Line	Soft Metal Tubing		Thermoplastic Tubing					
	Copper	Stainless steel	Polyethylene	Nylon	95 Shore A Polyurethane	Polypropylene	Fluoropolymer	Vinyl
LF3000					TS			
PLP Metal								
LF3600	G	G						
LF3800	G	G						
90° Flow Control					TS			
Swivel Flow Control					TS			
In-Line Flow Control					TS			
Plug-In Flow Control					TS			
LIQUIfit								
TrueSeal	MG	G			TS	MG	MG	TS

Compatible

G Tubing must be Grooved

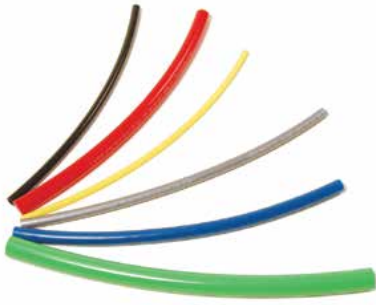
MG Metal Gripper Collet

TS Tube Support Required

Flow Control Specifications

Product	Material			Size		Type of Adjustment		Types of Threads				
	Nylon	Brass	Stainless	Compact	Miniature	External Screw	Knobless	NPT	UNF	BSPT	BSPB	Metric
90° Flow Control												
Swivel Flow Control												
In-Line Flow Control												
Plug-In Flow Control												

Tubing



Nylon

Working Temperature: -65° to 200°F (-54° to 93°C)

Ideal for industrial applications, nylon tubing offers excellent durability due to its stable long-term mechanical properties. Parker's semi-rigid nylon is manufactured according to our eco-design approach for higher performance.

- Compatible Media: Compressed air, industrial fluid
- Good chemical and humidity resistance
- Excellent material stability (mechanical and chemical)
- Wide range of working pressure and temperature
- Good vibration absorption
- Crack-resistant
- Variety of colors to facilitate circuit identification
- UV-resistant

Working pressure: up to 375 psi (26 bar)

Maximum pressure and temperature range are dependent on tube diameter used.

Packaging: 50ft, 100ft, 250ft, 25m, and 100m
Reels: 500ft and 1,000ft



Polyurethane

Working Temperature: -40° to 165°F (-40° to 74°C)

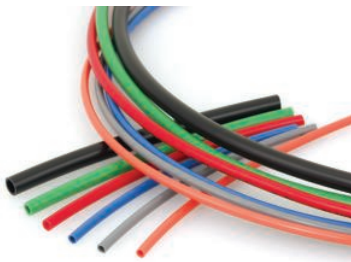
Parker's polyurethane 95A durometer tubing offers excellent flexibility and outstanding use in a wide range of applications, allowing for up to 50% space reduction when compared to semi-rigid PA tubing.

- Compatible Media: Compressed air, industrial fluid
- Consistent tensile strength for optimum longevity
- Optimal bend radius
- Good vibration absorption
- Highly flexible
- Low pressure drop
- Constant rigidity and good aging

Working pressure: up to 233 psi (16 bar)

Maximum pressure and temperature range are dependent on tube diameter used.

Packaging: 50ft, 100ft, 250ft, 25m, and 100m
Reels: 500ft



Polyethylene

Working Temperature: -80° to 150°F (-62° to 66°C)

Parker Legris low density polyethylene tubing provides good resistance to aggressive and corrosive agents.

- Compatible Media: Compressed air, industrial fluid, water
- Excellent resistance to aggressive and corrosive agents
- FDA approved material
- Tasteless and odorless
- Dimensional stability

Working pressure: up to 190 PSI (13 bar)

Maximum pressure and temperature range are dependent on tube diameter used.

Packaging: Tubepack® 100ft, 250ft, 25m, and 100m
Reels: 500ft



FEP

Working Temperature: -100° to 400°F (-73° to 200°C)

FEP tubing offers the highest clarity in the fluoropolymer market and is a close second to PTFE in chemical resistance. It is available in long, continuous lengths (1,000 feet and longer).

- Compatible Media: Chemicals, fluids, gases, beverages
- Chemically inert; excellent chemical resistance
- Non-wetting
- Weldable and tubes can be sealed by melting
- FEP is available in smoothbore tubing, heat shrinkable, convoluted, corrugated and retractable coil tubing

Working pressure: up to 390 psi (26.8 bar)

Maximum pressure and temperature range are dependent on tube diameter used.

Practical Information

Threaded Connections

NPT Threads (National Pipe Thread)

This is an American standard taper thread which fits into the matching taper port. Sealing is provided by a pre-applied thread sealant on the thread. Example: 1/8 NPT thread = 1/8 NPT

Metric Threads

These ISO-profile threads are parallel and are fit into the matching parallel port. Sealing is provided by an O-ring or a sealing washer.

Thread designation

- 'M' depending on the diameter and pitch in millimeters, separated by a multiplication sign, in accordance with standards ISO 68-1 and ISO 965-1.
Example: metric thread diameter 7 with a pitch of 1 mm = M7x1

BSP Threads (British Standard Pipe)

There are two types of "Pipe" profile threads:

- **Parallel (BSPP):** these threads fit in matching parallel ports. Sealing is provided by an O-ring gasket or a sealing washer.
- **Taper (NPT & BSPT):** these threads fit in matching parallel or taper ports. Sealing is provided by a pre-applied thread sealant on the thread.

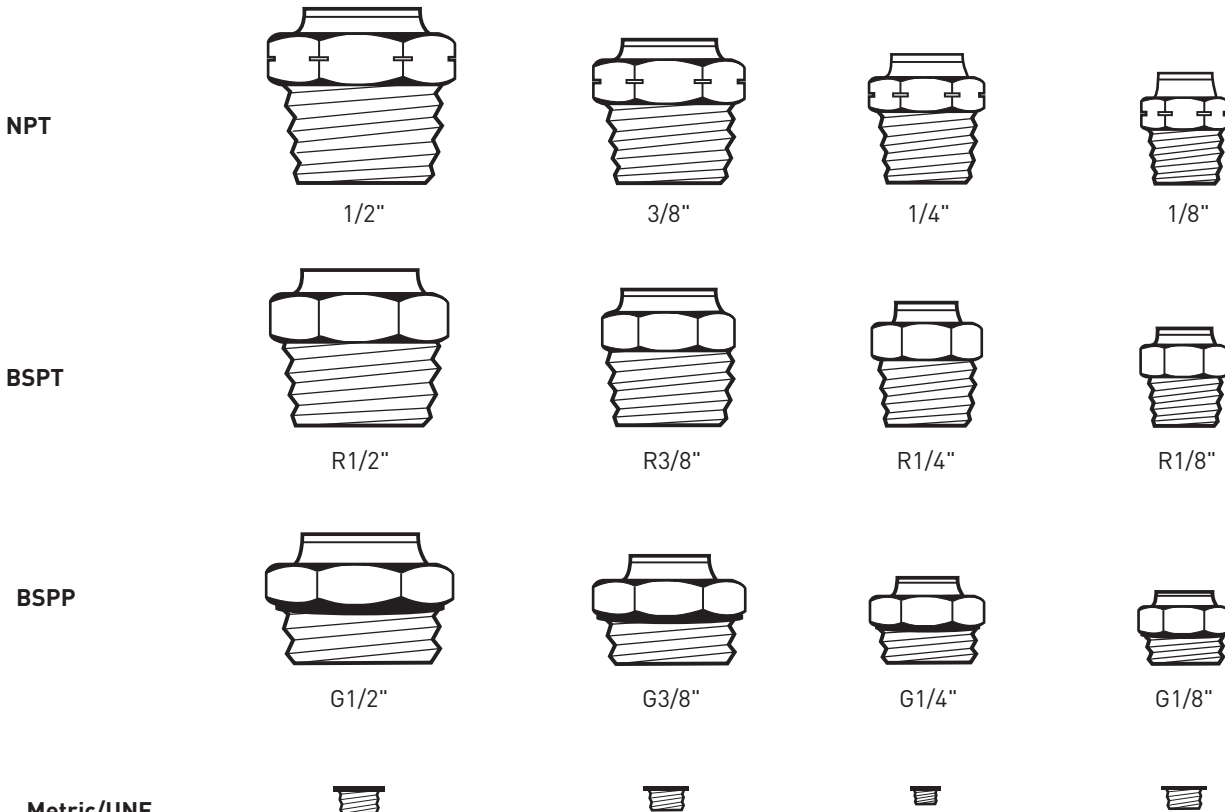
THREAD DESIGNATION

- **BSP Parallel (BSPP):**
G followed by the denomination, according to standard ISO 228-1.
Example: 1/8 BSP parallel thread = G1/8
- **BSP Taper (BSPT):**
R followed by the denomination, according to standard ISO 7-1.
Example: 1/8 BSP taper (BSPT) thread = R1/8
- **Female threads:**
BSP parallel: G followed by the designation
BSP taper: R followed by the designation



When looking at a Parker Legris fitting or adapter, an NPT fitting will have machined notches on the hex. BSPT fittings will not have machined notches. This applies to all threaded fittings, adapters, and right angle flow control valves.

Threaded Profiles – actual size



Parker Fluid Connectors Group

North American Divisions & Distribution Service Centers

Your complete source for quality tub fittings, hose & hose fittings, brass & composite fittings, quick-disconnect couplings, valves and assembly tools, locally available from a worldwide network of authorized distributors.

Fittings:

Available in fractional inch and metric sizes covering BSP thread configurations, manufactured from steel, stainless steel, brass, aluminum, nylon and thermoplastic.

Worldwide Availability:

Parker operates Fluid Connectors manufacturing locations and sales offices throughout North America, South America, Europe and Asia-Pacific.

For information, call toll free:

1-800-C-Parker
(1-800-272-7537)

North American Divisions

Energy Products Division

Stafford, TX
phone 281 566 4500
fax 281 582 5271

Fluid System Connectors Division

Otsego, MI
phone 269 694 9411
fax 269 694 4614

Hose Products Division

Wickliffe, OH
phone 440 943 5700
fax 440 943 3129

Parflex Division

Ravenna, OH
phone 330 296 2871
fax 330 296 8433

Quick Couplings Division

Minneapolis, MN
phone 763 544 7781
fax 763 544 3418

Tube Fittings Division

Columbus, OH
phone 614 279 7070
fax 614 279 7685

Distribution Service Centers

Buena Park, CA

phone 714 522 8840
fax 714 994 1183

Conyers, GA

phone 770 929 0330
fax 770 929 0230

Louisville, KY

phone 502 937 1322
fax 502 937 4180

Portland, OR

phone 503 283 1020
fax 503 283 2201

Toledo, OH

phone 419 878 7000
fax 419 878 7001
fax 419 878 7420
(FCG Kit Operations)

Canada

Milton, ONT

phone 905 945 2274
fax 905 945 3945



Parker Hannifin Corporation
Fluid System Connectors
300 Parker Drive
Otsego, MI 49078
phone 269 692 6555
fax 269 694 4614

Parker Hannifin Corporation
Parflex Division
1300 North Freedom St.
Ravenna, OH 44266
phone 330 296 2871
fax 330 296 8433